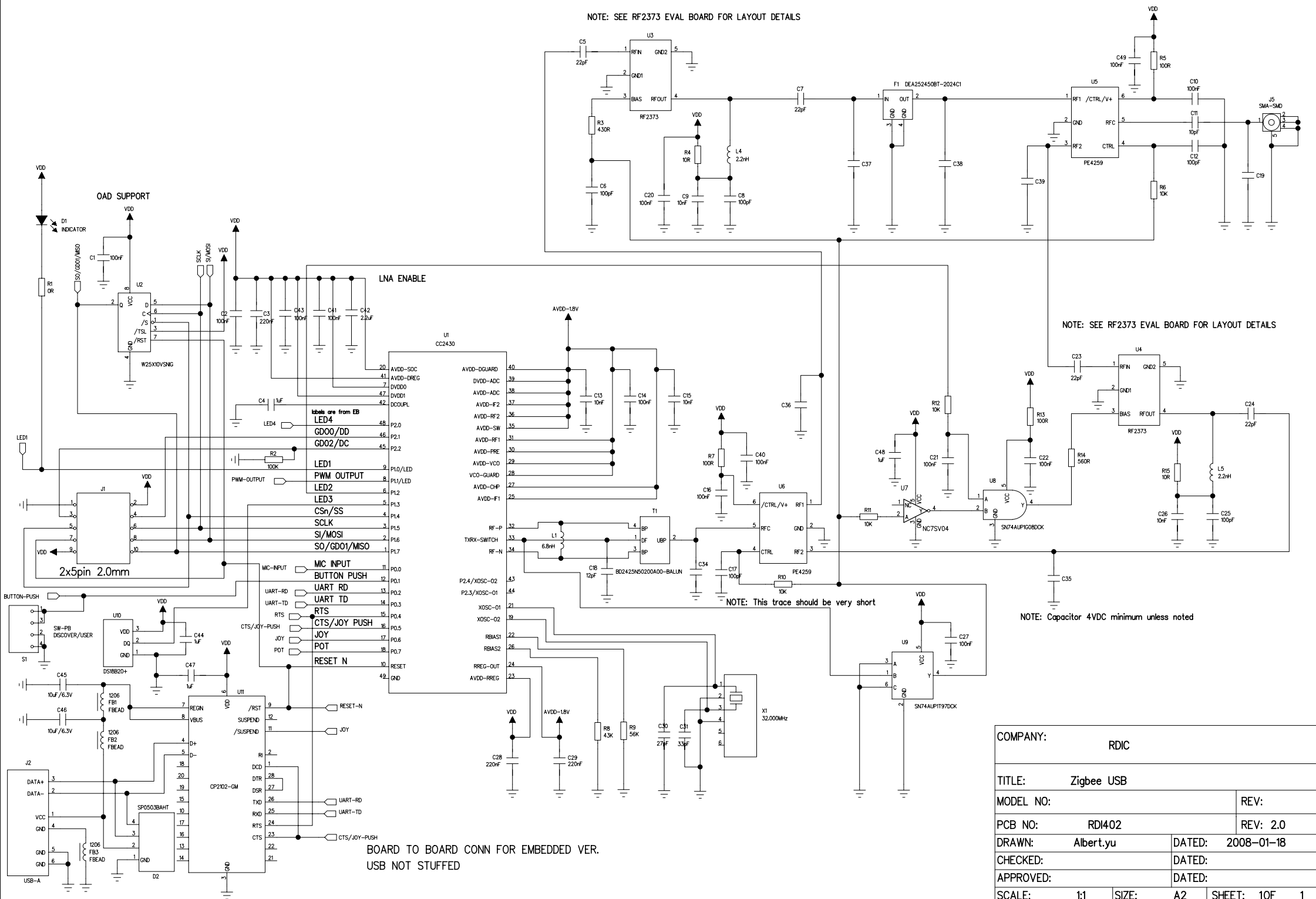


NOTE: SEE RF2373 EVAL BOARD FOR LAYOUT DETAILS



COMPANY:		RDIC	
TITLE:		Zigbee USB	
MODEL NO:	RD1402	REV:	2.0
PCB NO:	Albert.yu	DATED:	2008-01-18
CHECKED:		DATED:	
APPROVED:		DATED:	
SCALE:	1:1	SIZE:	A2
SHEET:	10F		1