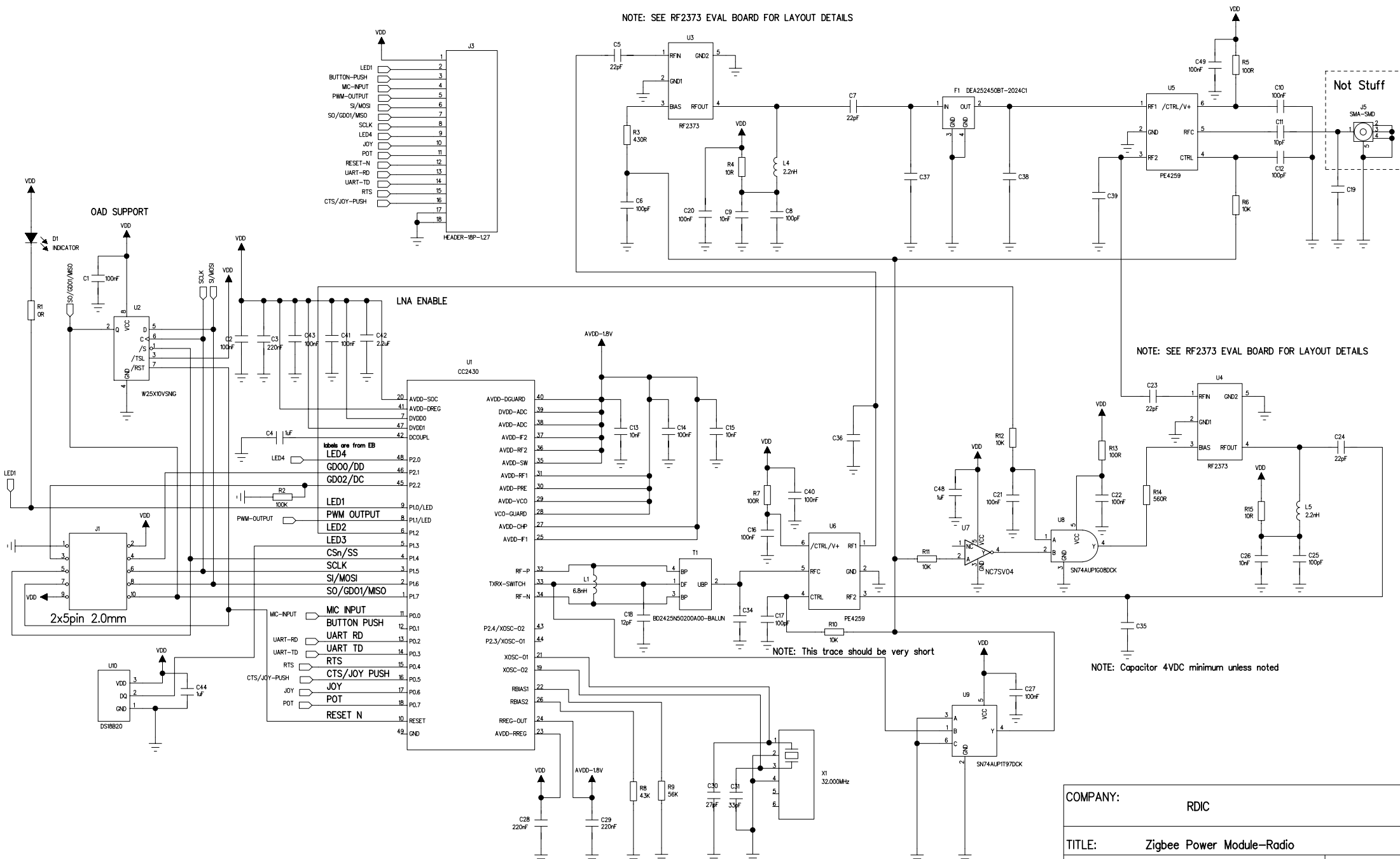


NOTE: SEE RF2373 EVAL BOARD FOR LAYOUT DETAILS

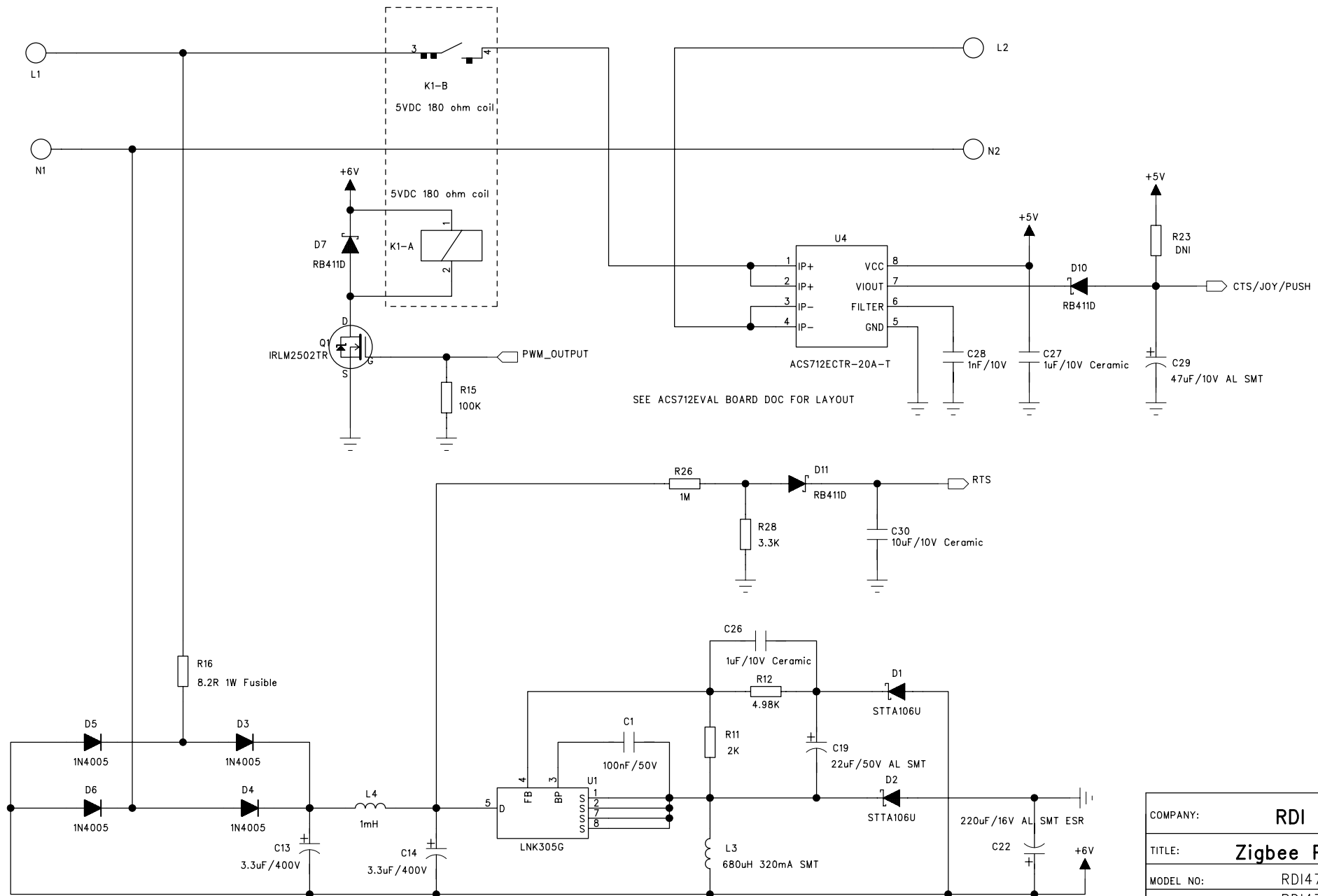


NOTE: SEE RF2373 EVAL BOARD FOR LAYOUT DETAILS

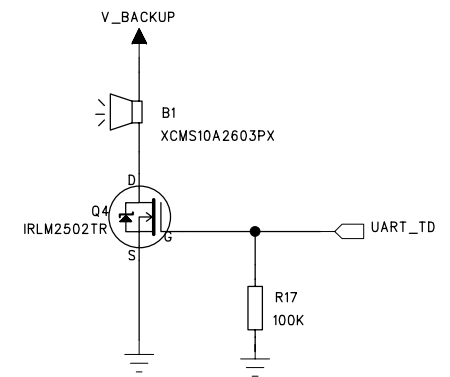
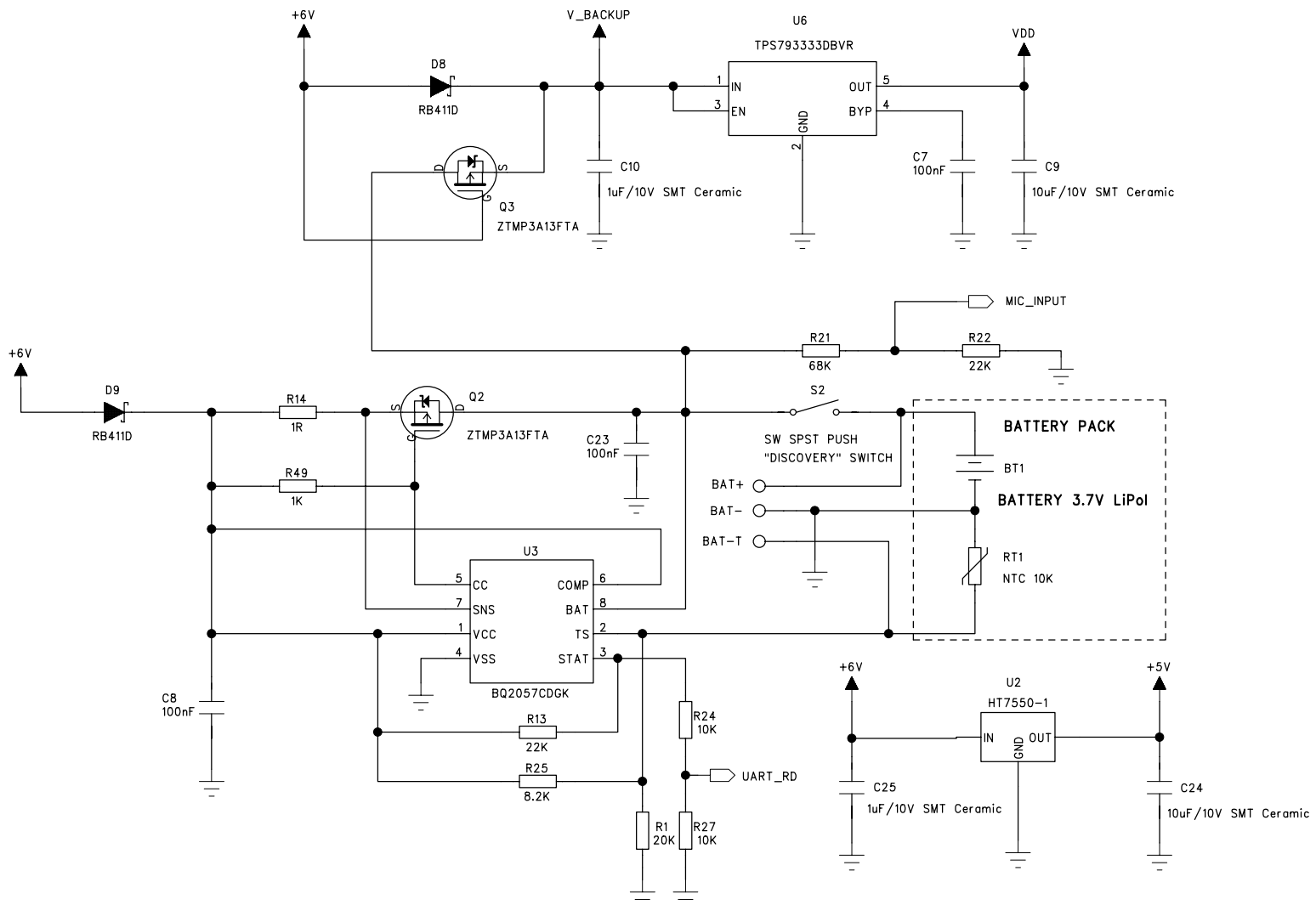
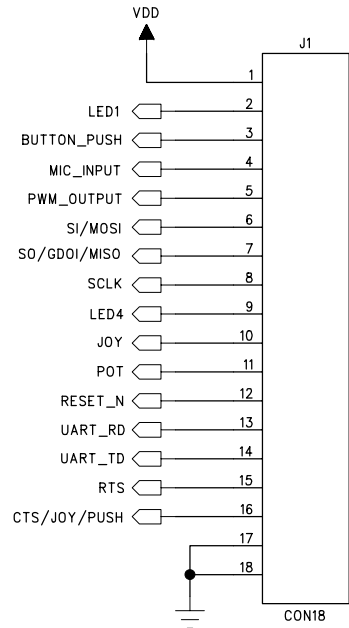
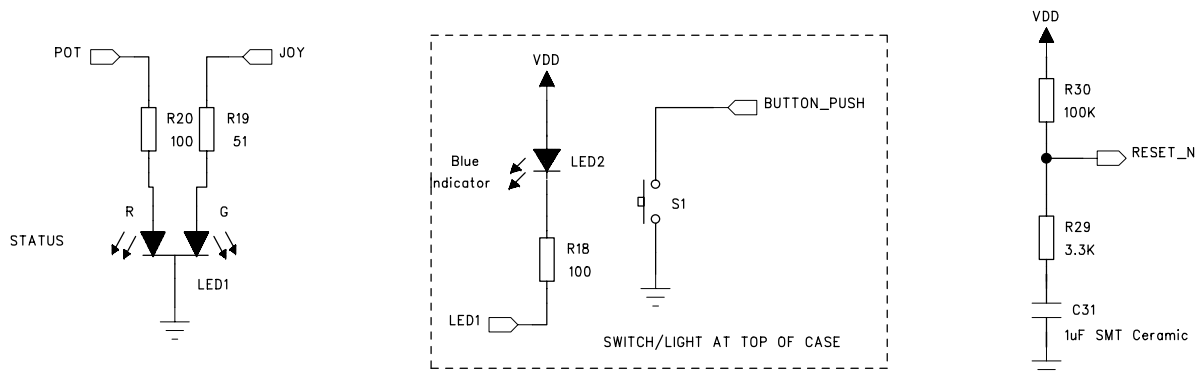
NOTE: This trace should be very short

NOTE: Capacitor 4VDC minimum unless noted

COMPANY:		RDIC	
TITLE: Zigbee Power Module-Radio			
MODEL NO:	RD1402-P	REV:	2.0
PCB NO:	RD1402-P	DATED:	2008-01-18
DRAWN:	Albert.yu	DATED:	
CHECKED:		DATED:	
APPROVED:		DATED:	
SCALE:	1:1	SIZE:	A2
		SHEET:	10F 1



COMPANY: RDI	
TITLE: Zigbee Power Module	
MODEL NO: RDI475	REV: 1.1
PCB NO: RDI475	REV: 1.1
DRAWN: Bruce	DATED: 2007-09-27
CHECKED:	DATED:
APPROVED:	DATED:
SCALE: 1:1	SIZE: A3
SHEET: 1 OF 2	



COMPANY: RDI	
TITLE: Zigbee Power Module	
MODEL NO: RDI475	REV: 1.1
PCB NO: RDI475	REV: 1.1
DRAWN: Bruce	DATED: 2007-09-27
CHECKED:	DATED:
APPROVED:	DATED:
SCALE: 1:1	SIZE: A3
SHEET: 2 OF 2	