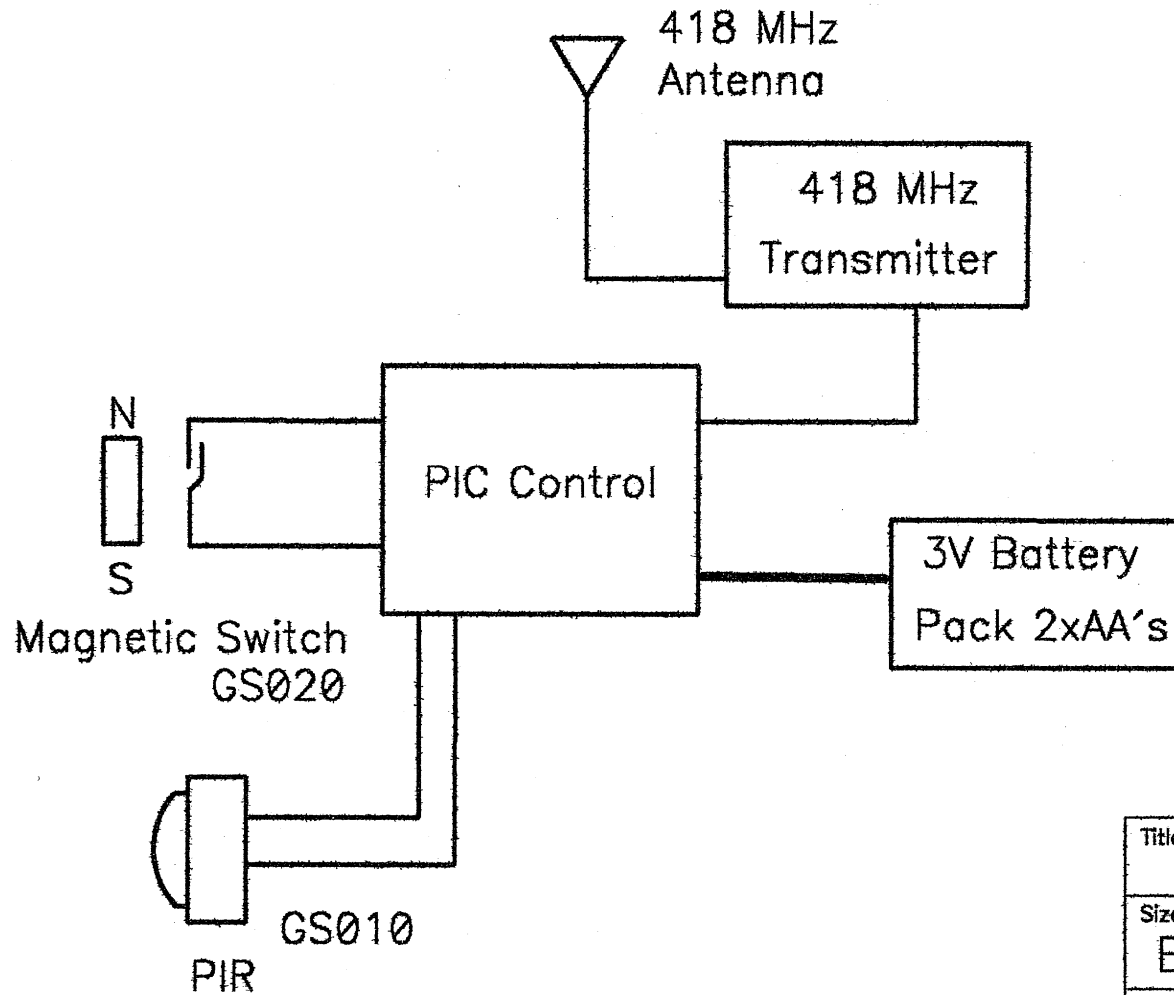


**Exhibit F: Block Diagram**  
**Xanboo**  
**Guardzman Transmitter GS010**

# Xanboo GS010/020 Functional Diagram IC



PTI Project 03372-10

Title		
Xanboo GS010/020		
Size	Number	Rev
B	RDI Labs	A
Date: 4-21-2003		Drawn by: KEB
File Name: GS010.pcb		Sheet 1 of 1