

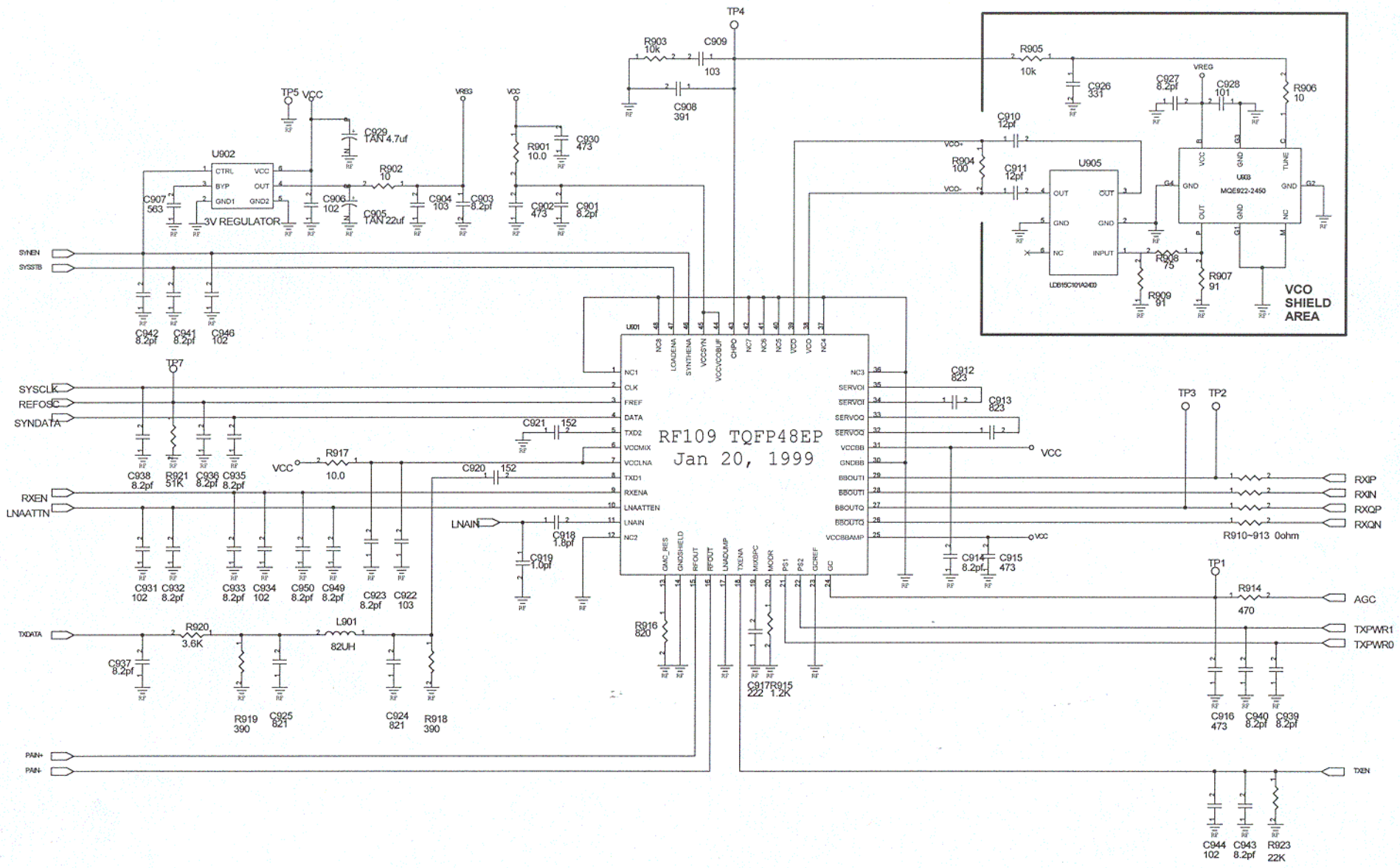
MicroStrip	W(mils)	L(mils)	Z0 / E(deg)
MS1	25.5 mil wide	219 mil long	84 ohm 29.0 deg
MS2	30.0 mil wide	389 mil long	79 ohm 52.0 deg
MS3	17.5 mil wide	401 mil long	97 ohm 52.6 deg
MS4	25.5 mil wide	303 mil long	84 ohm 40.0 deg
MS5	25.5 mil wide	660 mil long	84 ohm 90.0 deg
MS6	25.5 mil wide	30 mil long	84 ohm 4.0 deg

MicroStrip	Z0	E(deg)	W(mils)	L(mils)
MS9	96 R	22.3 deg	W=18.0 mil	L=170 mil
MS10	96 R	22.3 deg	W=18.0 mil	L=170 mil

SONUS TELECOM, INC.  
 FCC ID : OU31BM3920  
 JOB # : 244AK1-1

EXHIBIT # : *4B*

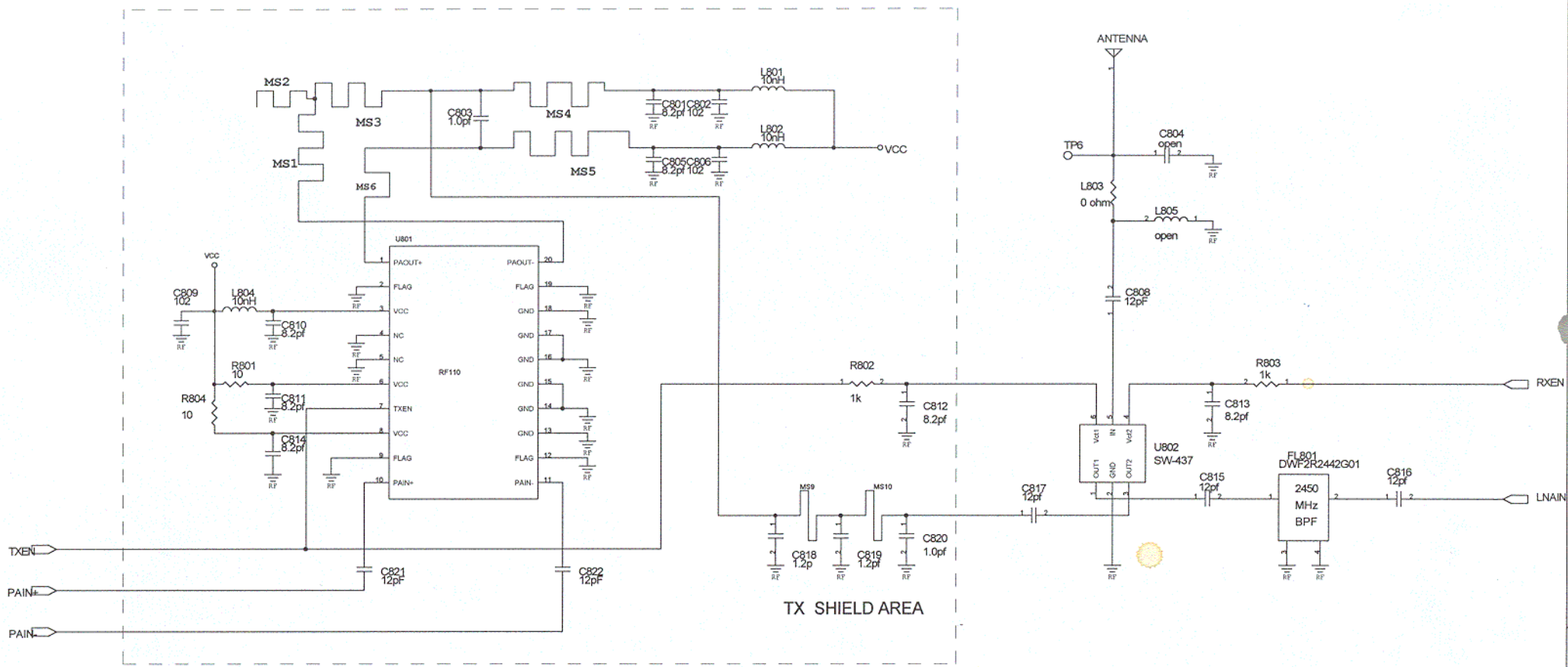
DRN DATE	2001.02.28	<b>isv</b> International Science Venture	
DRND BY	J. H KIM		
CHCK BY	J. H KIM	MODEL	
APPD BY	MARTIN. H KIM	IBM-3920 Base Power Amp	
	DRN NO.	REV	0
	SHEET	1 OF 4	SIZE A4



SONUS TELECOM, INC.  
 FCC ID : OU3IBM3920  
 JOB # : 244AK1-1

EXHIBIT # : 4c

DRN DATE	2001.02.28	<b>isv</b> International Science Venture	
DRND BY	J. H KIM		
CHKBY	J. H KIM	MODEL	
APPD BY	MARTIN. H KIM	IBM-3920 BASE Transceiver	
DRN NO.		REV	0
SHEET	2 OF 4	SIZE	A4



MicroStrip	W(mils)	L(mils)	Z0 / E(deg)
MS1	25.5 mil wide	219 mil long	84 ohm 29.0 deg
MS2	30.0 mil wide	389 mil long	79 ohm 52.0 deg
MS3	17.5 mil wide	401 mil long	97 ohm 52.6 deg
MS4	25.5 mil wide	303 mil long	84 ohm 40.0 deg
MS5	25.5 mil wide	660 mil long	84 ohm 90.0 deg
MS6	25.5 mil wide	30 mil long	84 ohm 4.0 deg

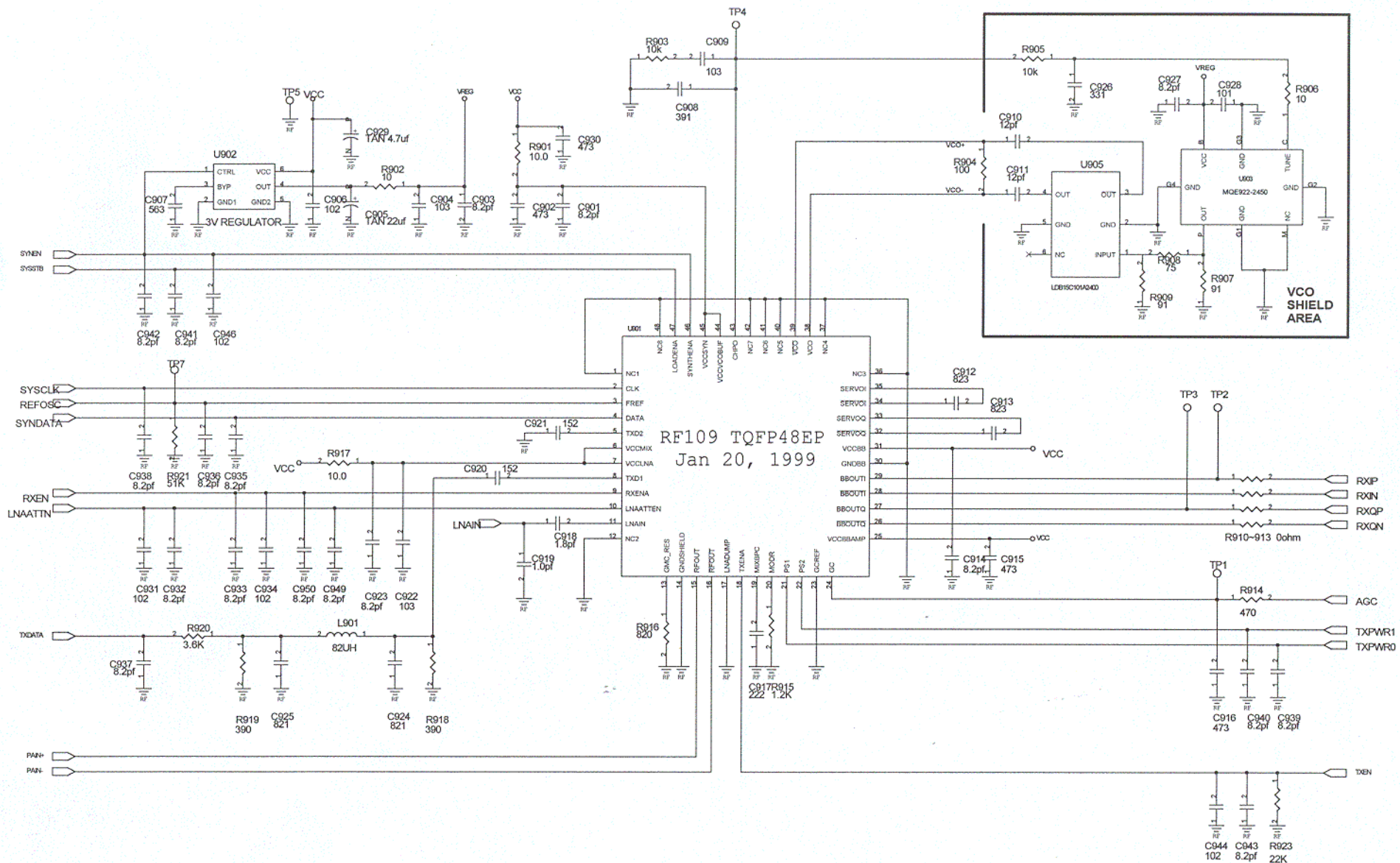
MicroStrip	Z0	E(deg)	W(mils)	L(mils)
MS9	96 R	22.3 deg	W=18.0 mil	L=170 mil
MS10	96 R	22.3 deg	W=18.0 mil	L=170 mil

SONUS TELECOM, INC.  
 FCC ID : OU3IBM3920  
 JOB # : 244AK1-1

EXHIBIT # : 40

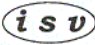
DRN DATE	2001.02.28	<b>isv</b> International Science Venture
DRND BY	J. H KIM	
CHK BY	J. H KIM	
APPD BY	MARTIN. H KIM	
MODEL		IBM-3920 Hand Power Amp
DRN NO.		REV 0
SHEET	3 OF 4	SIZE A4





SONUS TELECOM, INC.  
FCC ID : OU3IBM3920  
JOB # : 244AK1-1

EXHIBIT # : 4E

DRN DATE	2001.02.28	 International Science Venture	
DRND BY	J. H KIM		
CHCK BY	J. H KIM		
APPD BY	MARTIN, H KIM		
		MODEL	
		IBM-3920 Hand Transceiver	
DRN NO.		REV	0
SHEET	4 OF 4	SIZE	A4