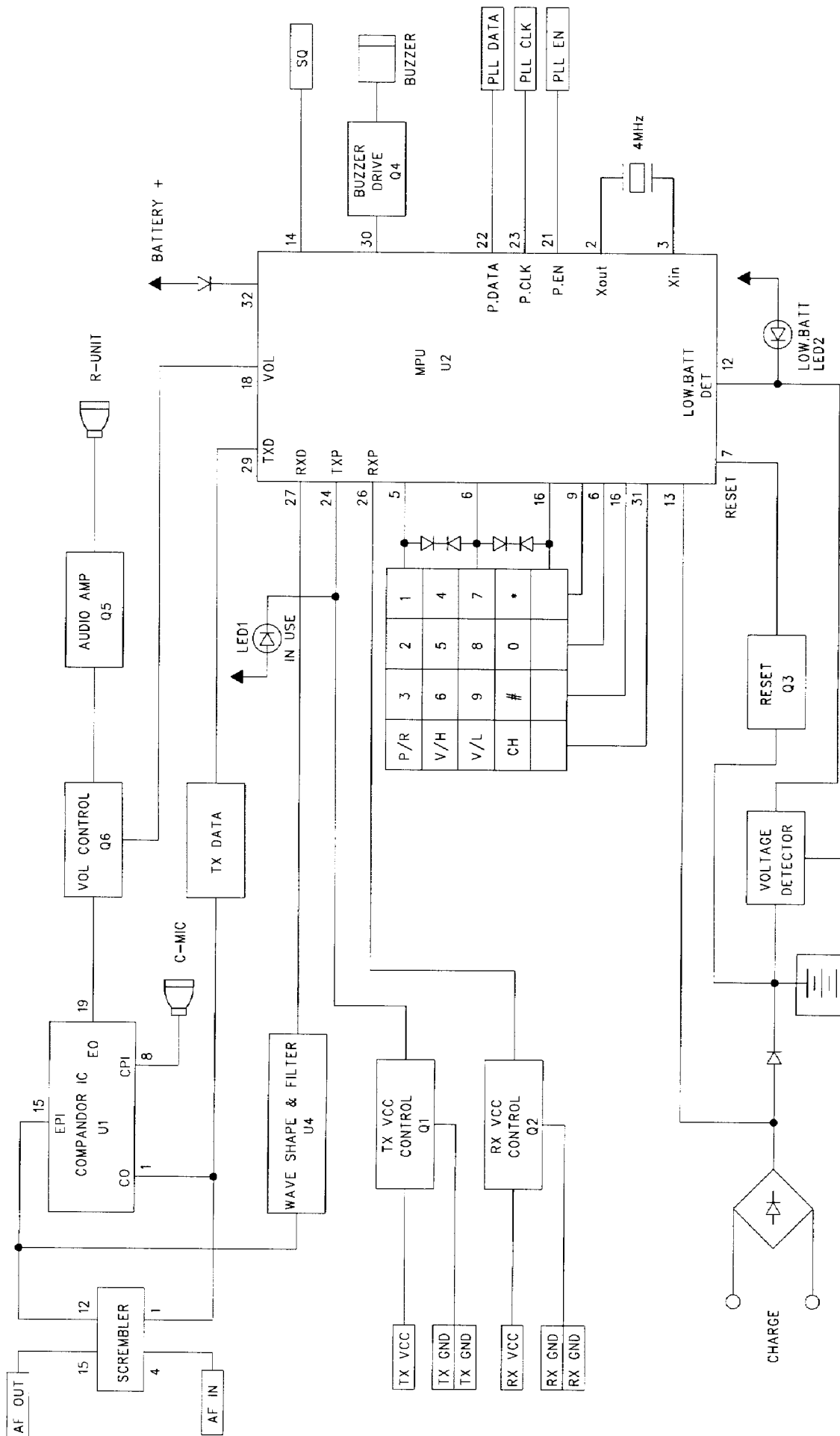


MODEL	GH2400M	APPR.	
TITLE	BLOCK DIAGRAM	CHECK.	
BASE UNIT MAIN SECTION		DRAW.	
DRAWING NO		DESIGN	
REV	C	DATE.	2000.02.24
FOCUS ELECTRONIC Co.		SHEET	1 of 1

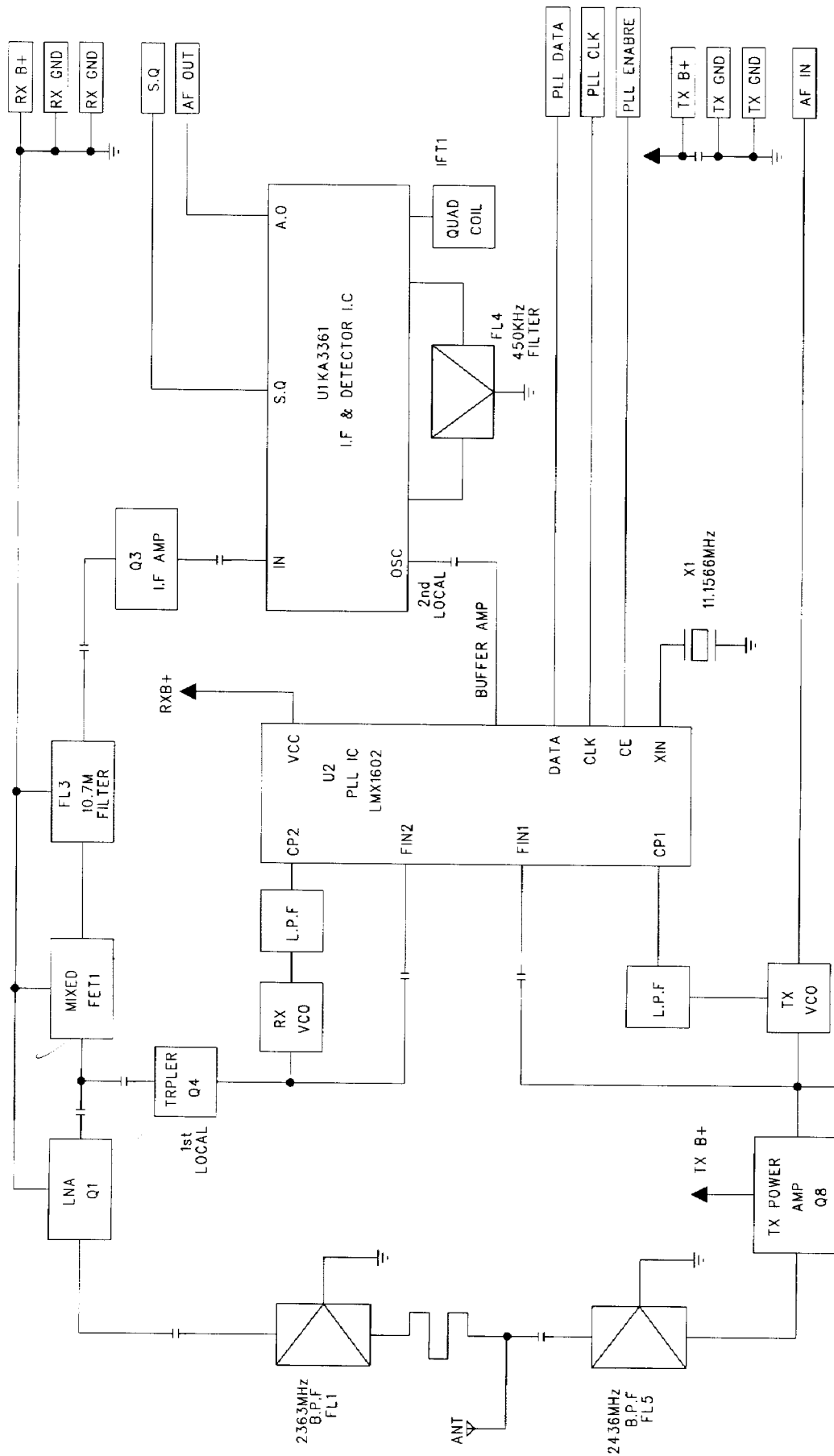
E.C.N HAND PART	



MODEL	GH2400M	APPR.	
TITLE	BLOCK DIAGRAM		
HAND SET MAIN		DRAW.	
DRAWING NO	REV C	DATE	2000.02.24
FOCUS ELECTRONIC Co.		SHEET	1 of 1

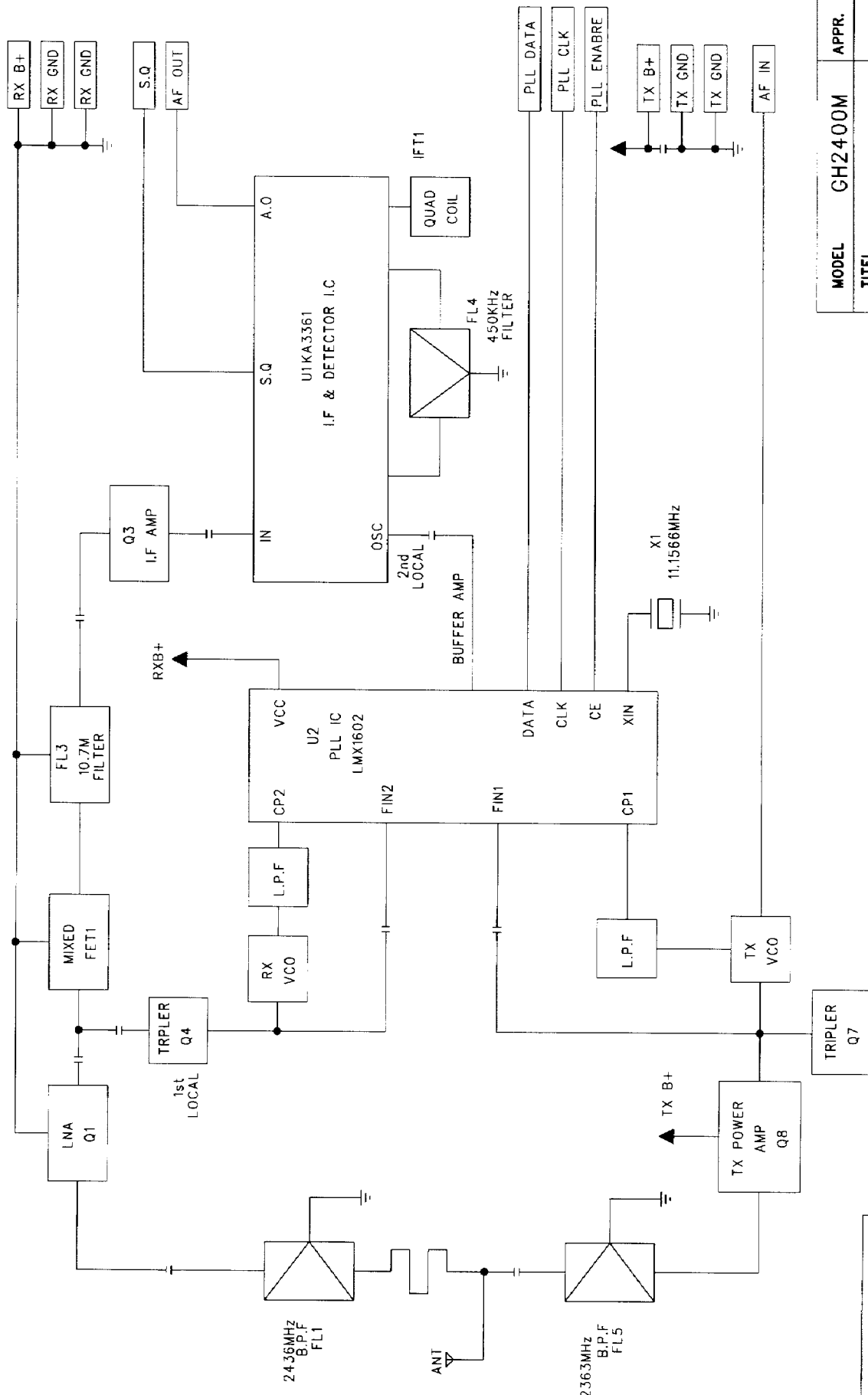
BATTERY
1.2 X 3

E.C.N HAND PART



MODEL	GH2400M	APPR.	
TITLE	GH2400M	CHECK.	
: BLOCK DIAGRAM NAME		DRAW.	
BASE SET RF SECTION		DESIGN	Y.C.CHOI
DRAWING NO		REV	C
FOCUS ELECTRONIC Co.		DATE.	2000.02.24
		SHEET	1 of 1

E.C.N HAND PART	



E.C.N HAND PART

MODEL	GH2400M	APPR.	
TITLE	: BLOCK DIAGRAM NAME	CHECK.	
HAND SET RF SECTION		DRAW.	
DRAWING NO		DESIGN	Y.C.CHOI
REV	C	DATE.	2000.02.24
FOCUS ELECTRONIC Co.			SHEET 1 of 1