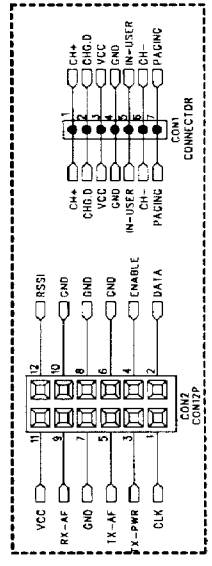
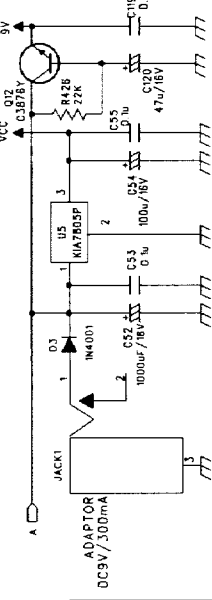
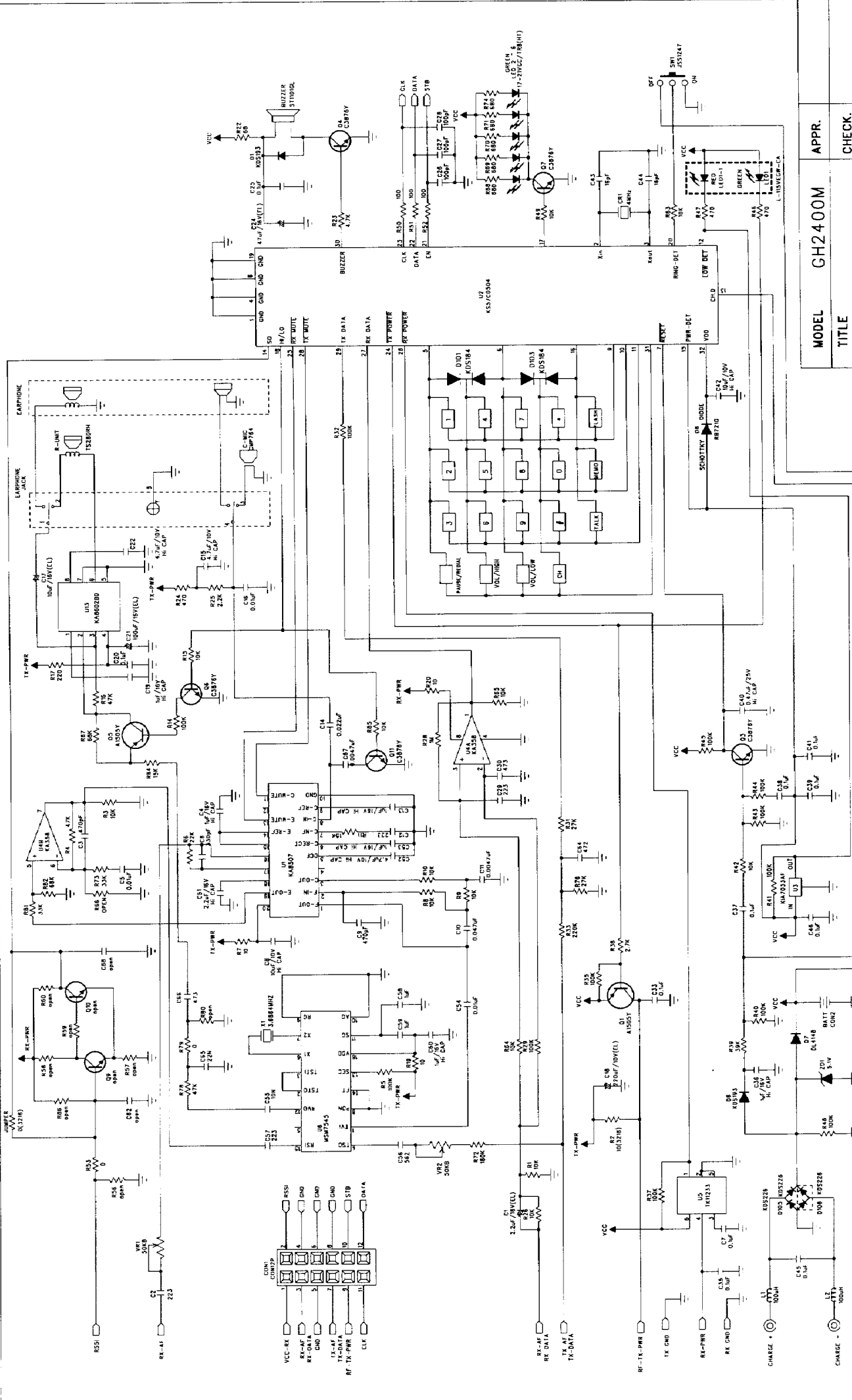


**E.C.N BASE PART**



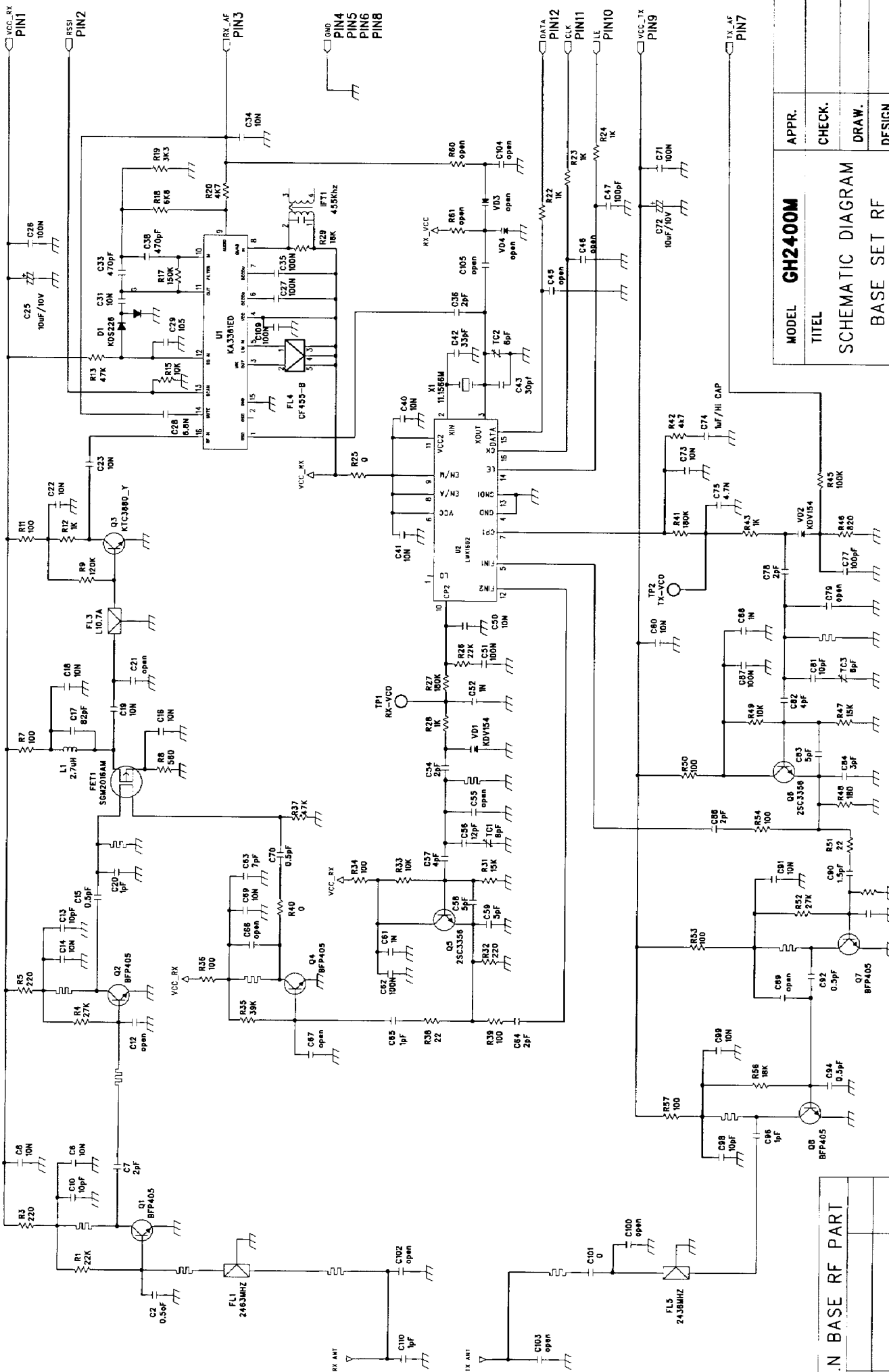
MODEL	GH2400M
TITLE	SCHEMATIC DIAGRAM
	BASE MAIN
DRAWING NO	J
REV	
DATE	2000. 02. 15.
SHEET	1 of 1

APPR.	CHECK.	DRAW.	DESIGN.



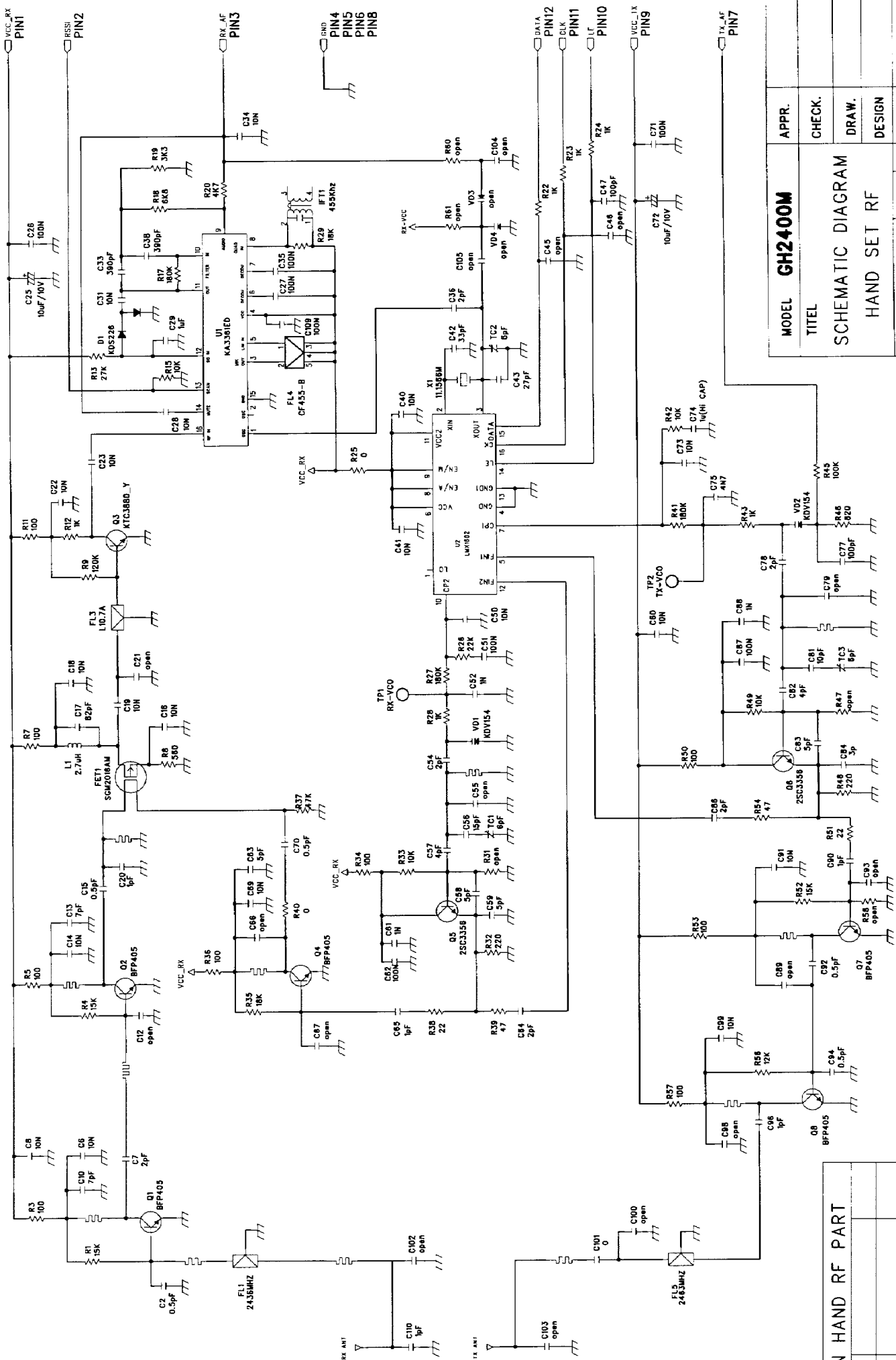
MODEL		GH2400M		APPR.	
TITLE		SCHEMATIC DIAGRAM		CHECK.	
DRAWING NO		HAND MAIN		DRAW.	
REV	M	DATE.	2000. 02. 15.	FILE	
FOCUS ELECTRONIC Co.,LTD.		SHEET		1 of 1	

E.C.N HAND PART



MODEL	GH2400M
TITLE	SCHEMATIC DIAGRAM
	BASE SET RF
DRAWING NO	REV 0
DATE	2000/02/19
SHEET	1 of 1

E.C.N	BASE RF PART



E.C.N HAND RF PART

MODEL	GH2400M	APPR.	
TITLE	SCHEMATIC DIAGRAM	CHECK.	
	HAND SET RF	DRAW.	
		DESIGN	
DRAWING_NO		REV	0
		DATE.	2000/02/19
		SHEET	1 of 1