

1

2

3

4

A

A

B

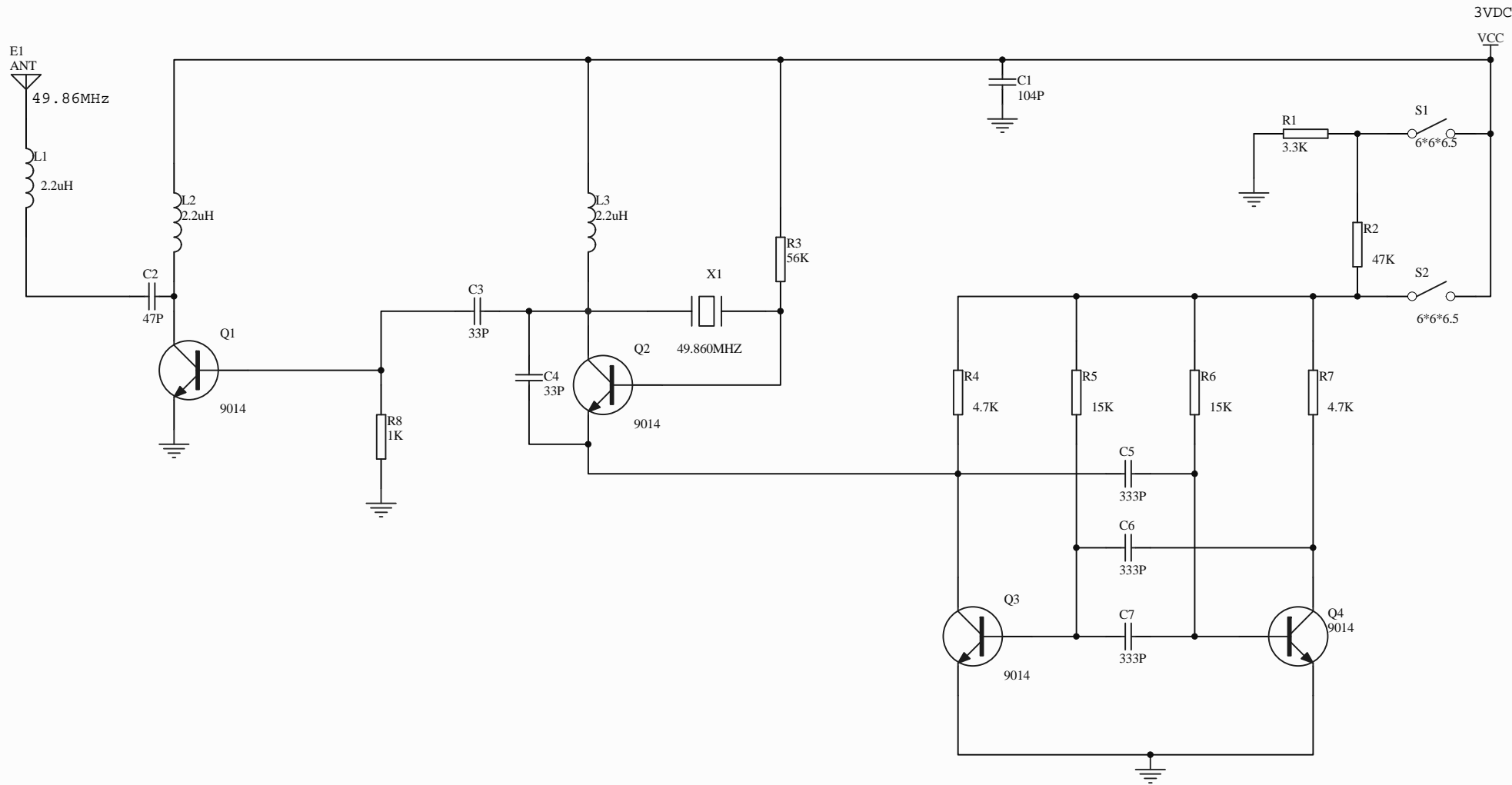
B

C

C

D

D



Title		
Size	Number	Revision
A4		
Date:	2014-5-29	Sheet of
File:	E:\PCB\YC\伟兄\YC-201TX-49M.SCHDD Drawn By:	

1

2

3

4