

1

2

3

4

A

A

B

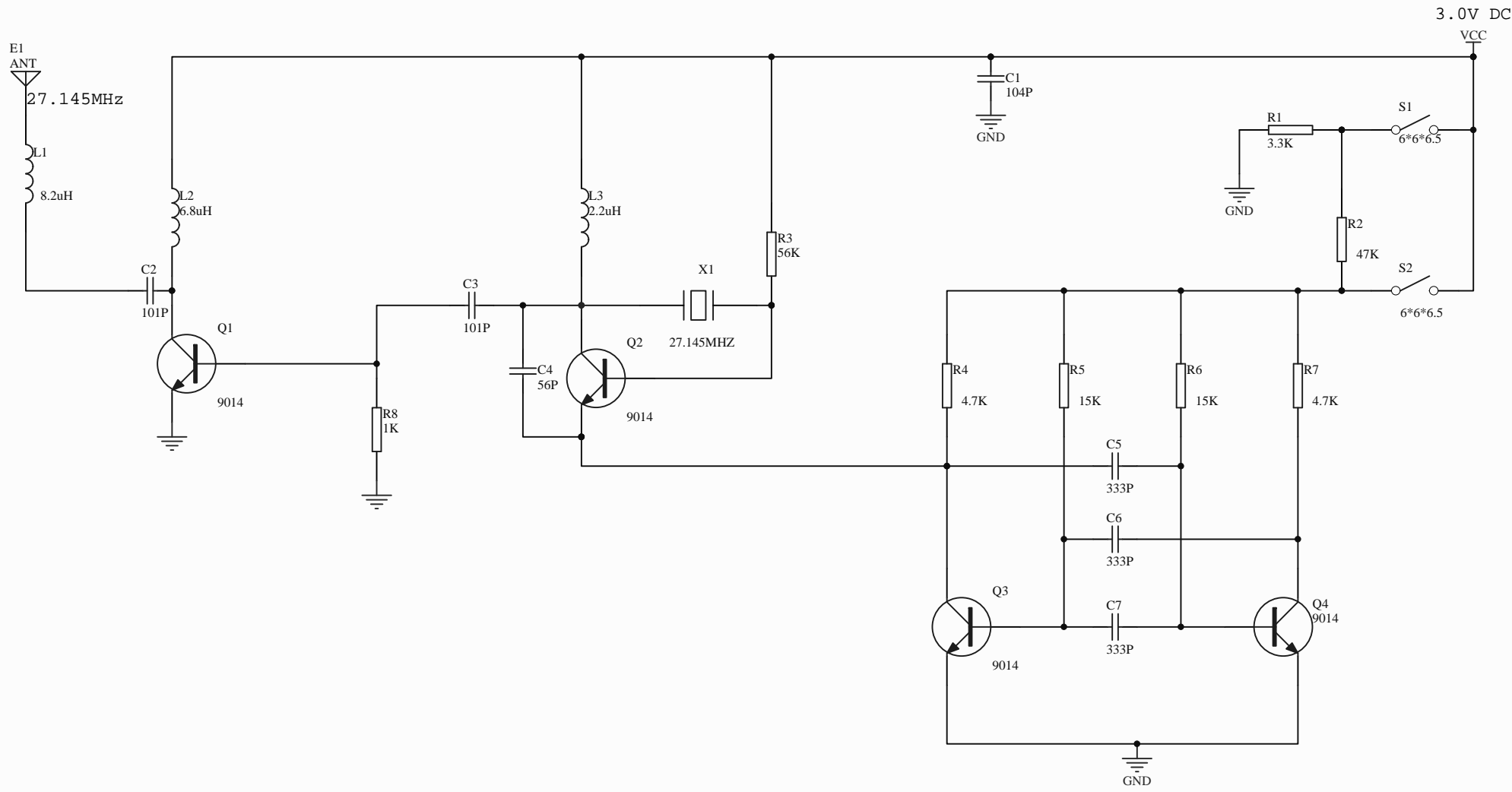
B

C

C

D

D



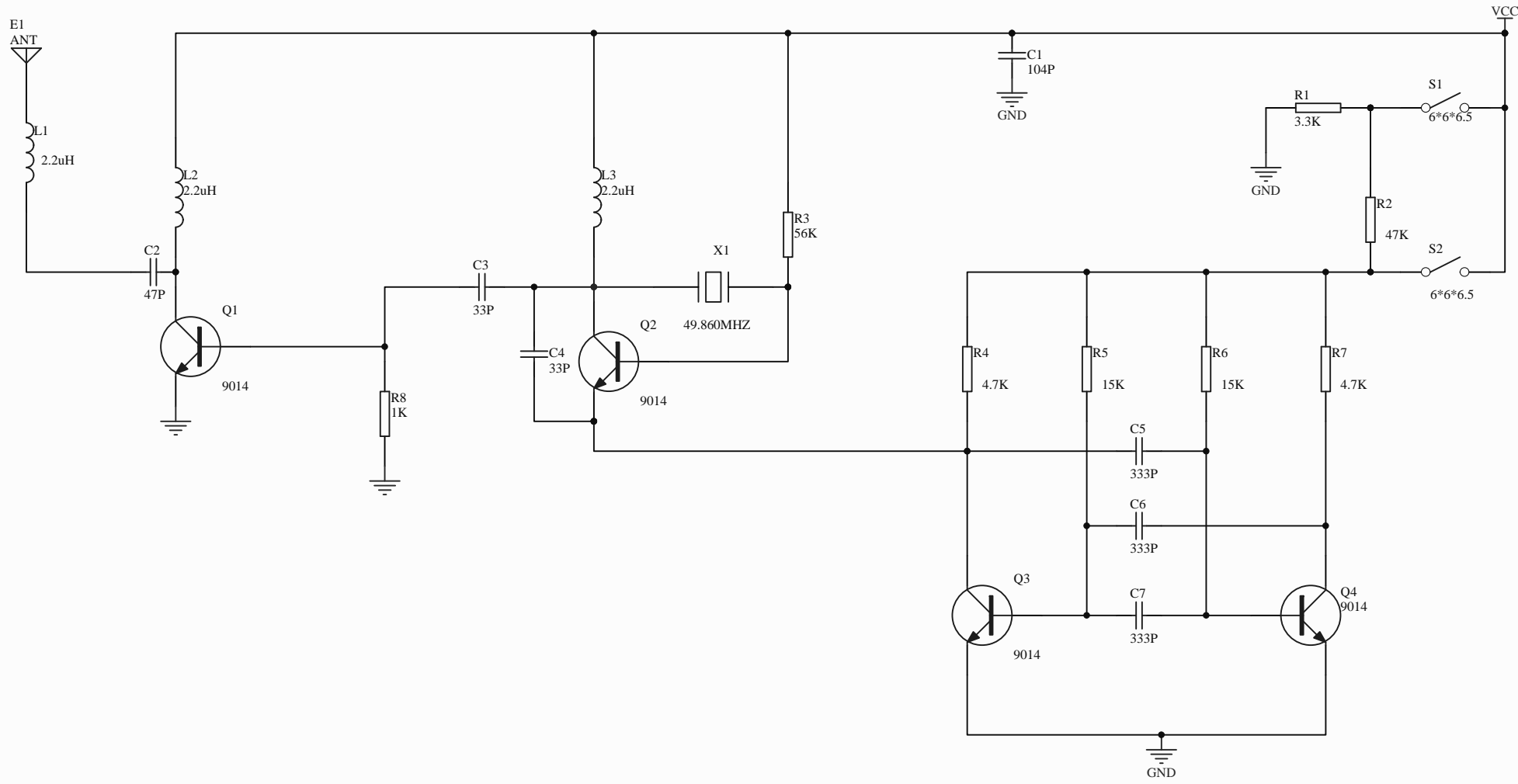
Title		
Size	Number	Revision
A4		
Date:	2014-5-29	Sheet of
File:	E:\PCB\YC\伟兄\YC-201TX.SchDoc	Drawn By:

1

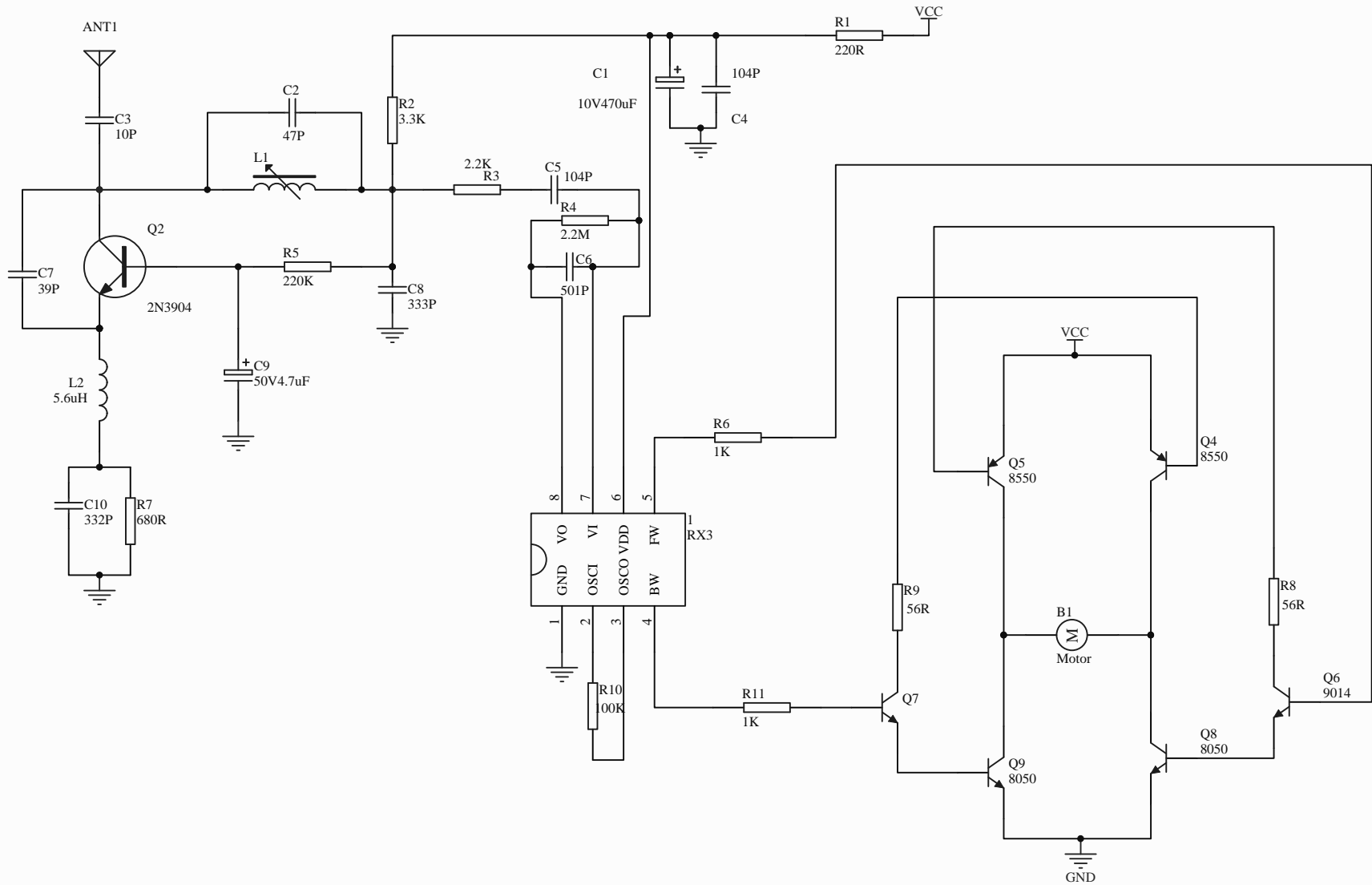
2

3

4



Title		
跃春电子科技有限公司		
Size	Number	Revision
A4		
Date:	2014-5-29	Sheet of
File:	E:\PCB\YC\伟兄\YC-201TX-49M.SchDoDrawn By:	



Title		27MHZ	
Size	Number	Revision	
A4		1.0	
Date:	2014-5-29	Sheet of	
File:	E:\PCB\YC\YC-RX208.SchDoc	Drawn By:	