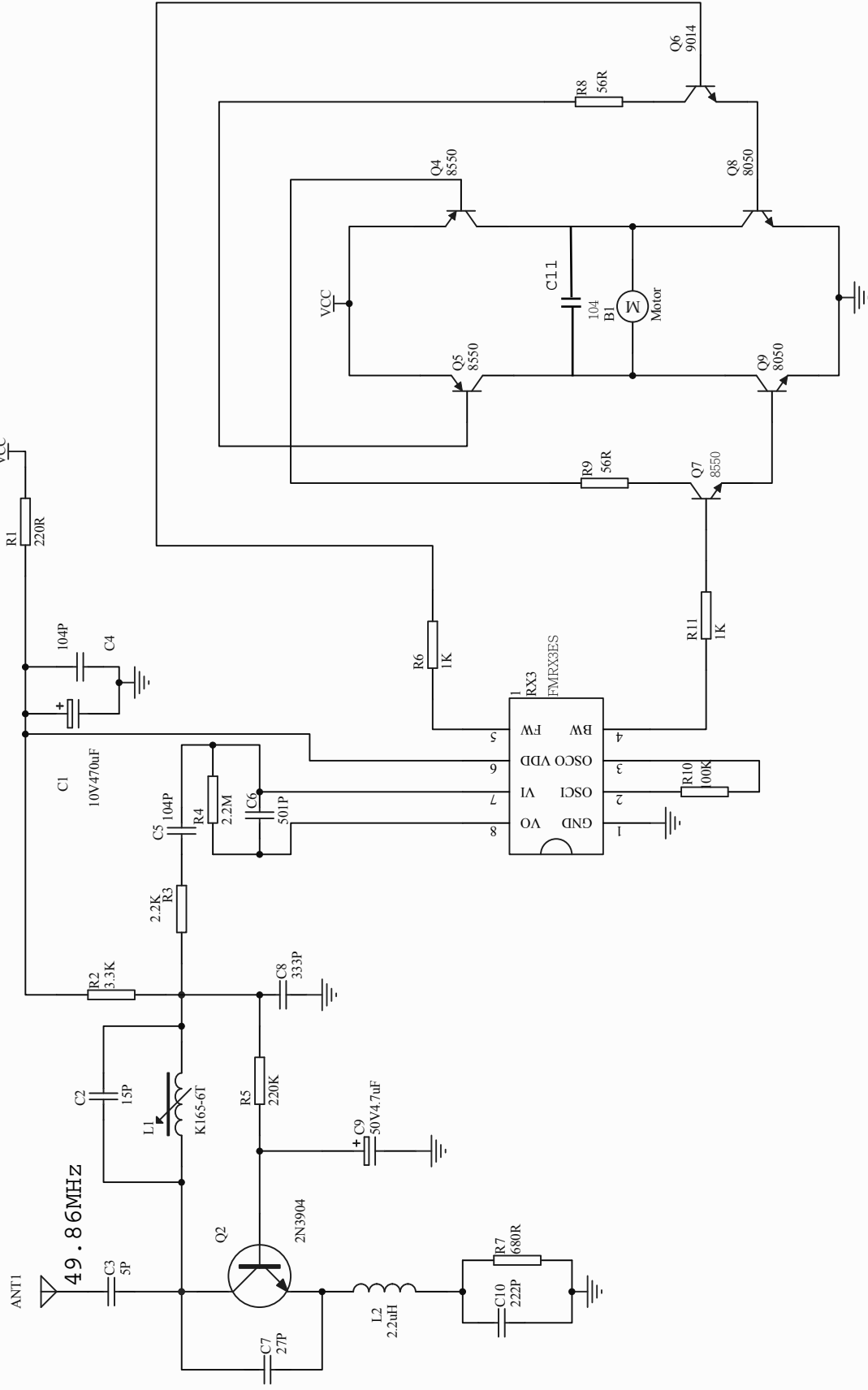


DC 4.5V



Title 27MHZ

Size	Number	Revision
A4		1.0
Date:	2014-5-29	
File:	E:\PCBYC\伟光\YC-RX208-49MHZ-SCHEMATIC.Dwg	
	Sheet of	
	4	