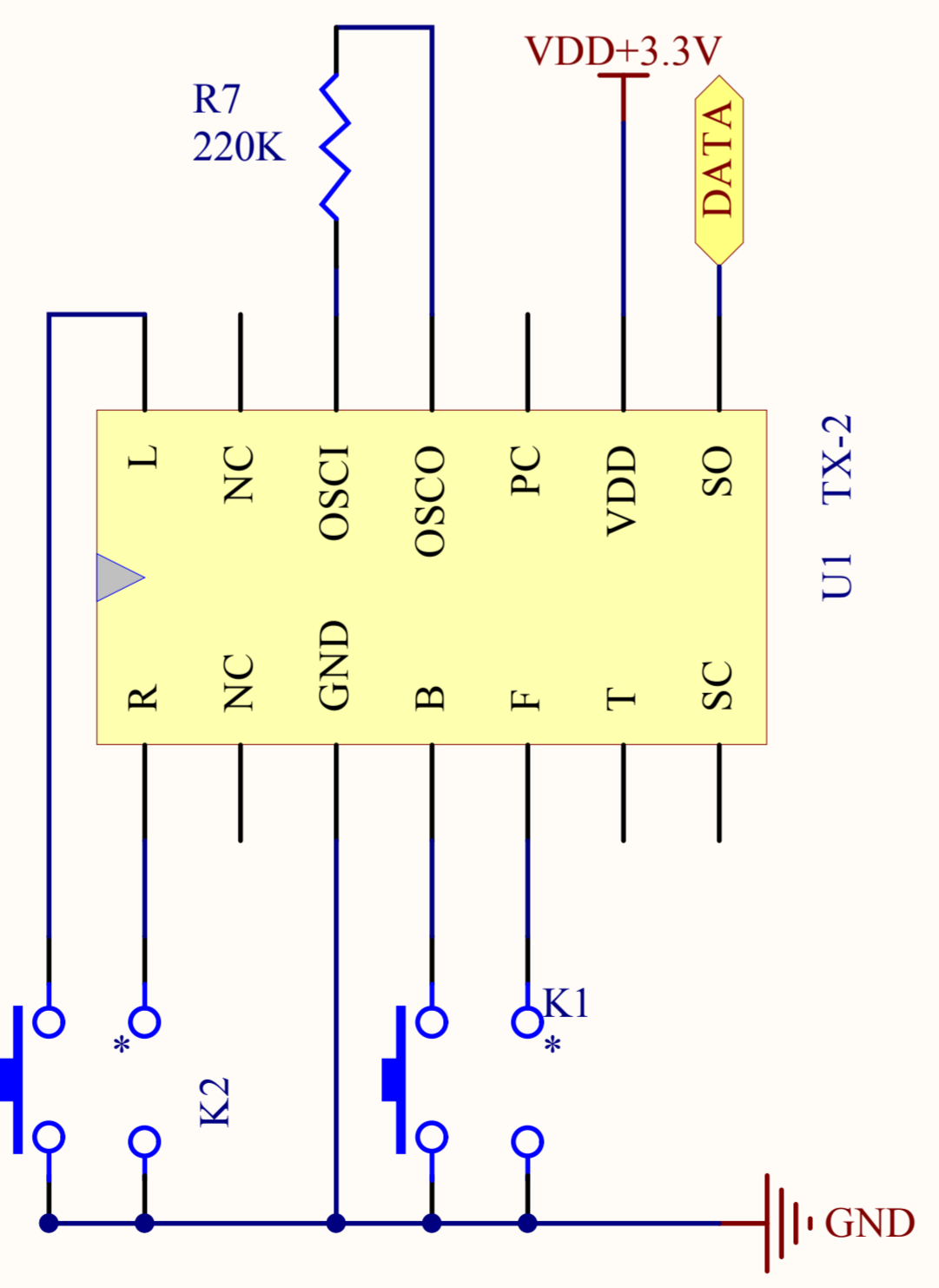
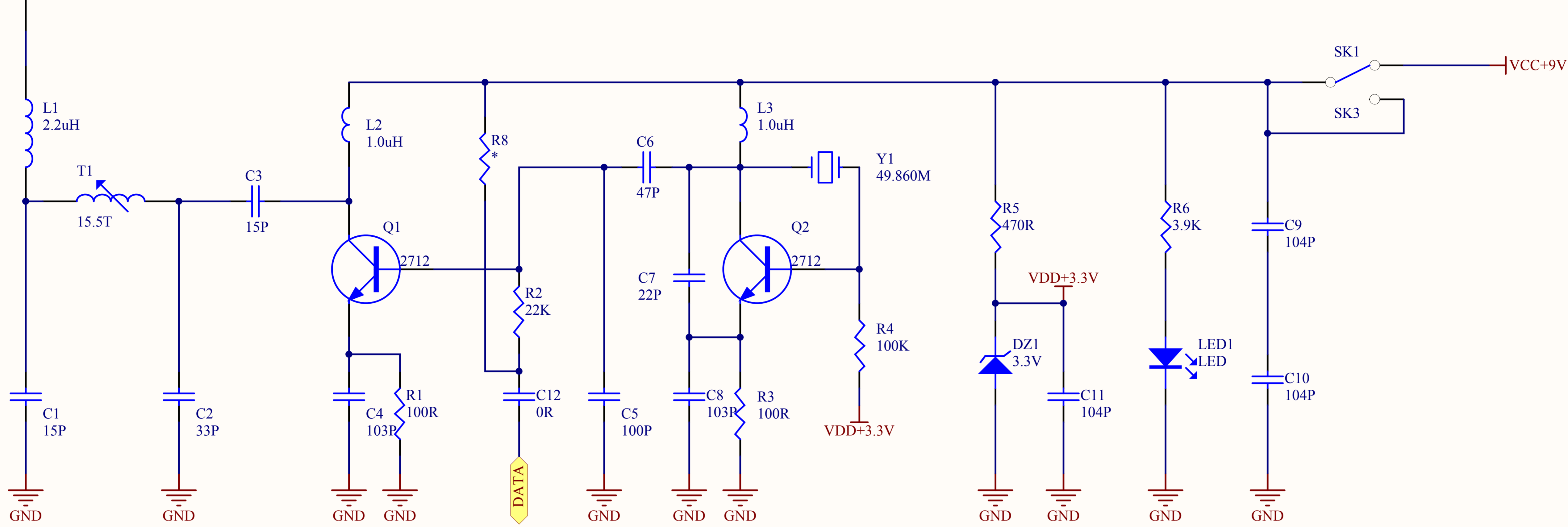


49.86MHz

ANT



Title			LYB803T-49M		
Size	Number		Revision		
A4					
Date:	2017-12-05		Sheet of		
File:	E:\Altium Designer		\.\LYB803T-49M.SchDoc		