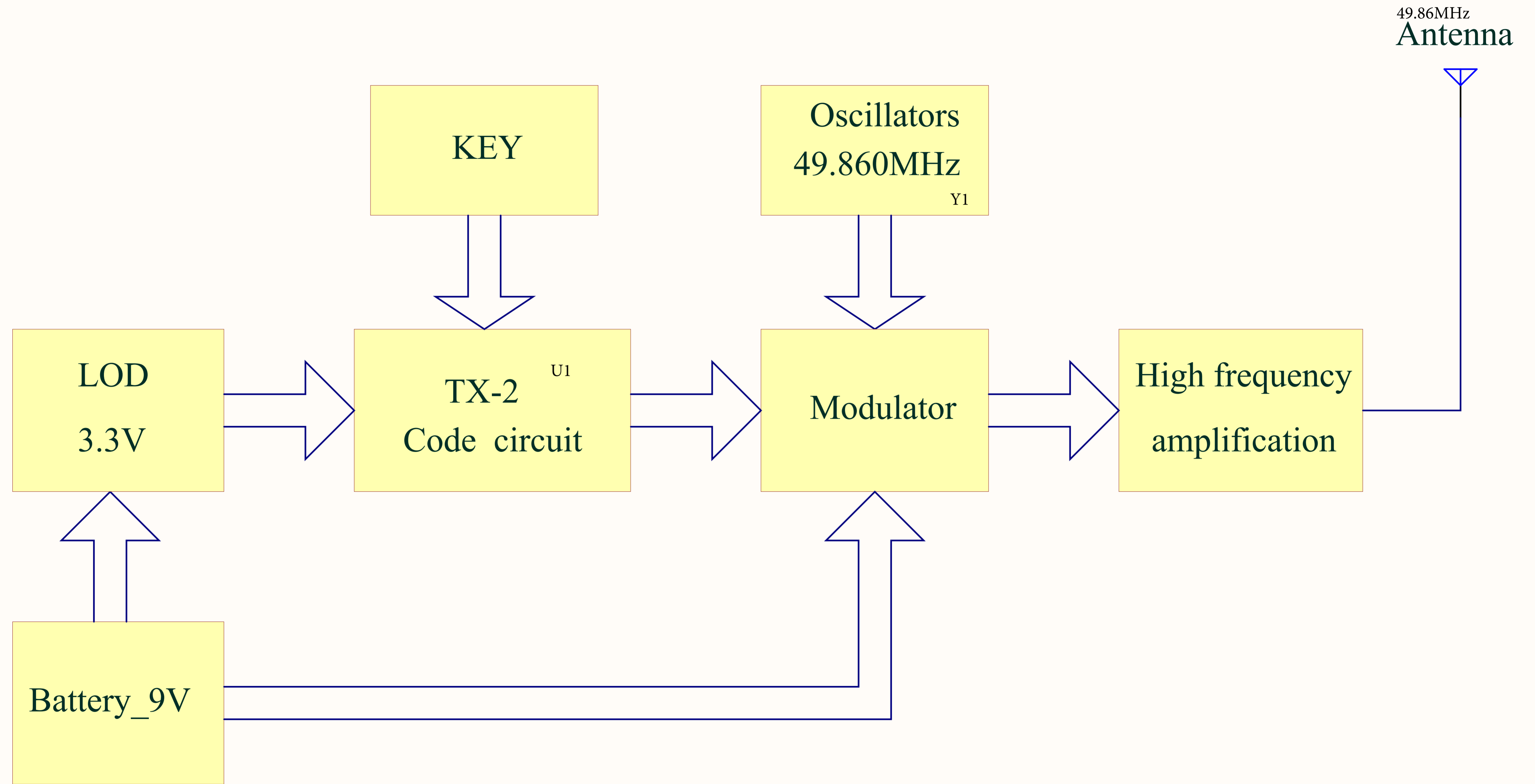


# LYB803TX\_Block Diagram



Title		
Size A4	Number	Revision
Date:	2017-12-05	Sheet of
File:	E:\Altium Designer \\.LYB803TX\Drawn B\SchDoc	