

49.860MHz

A

B

C

D

2

3

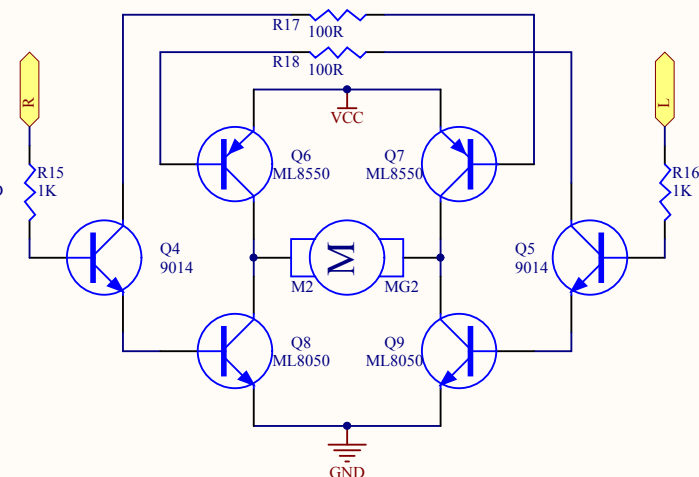
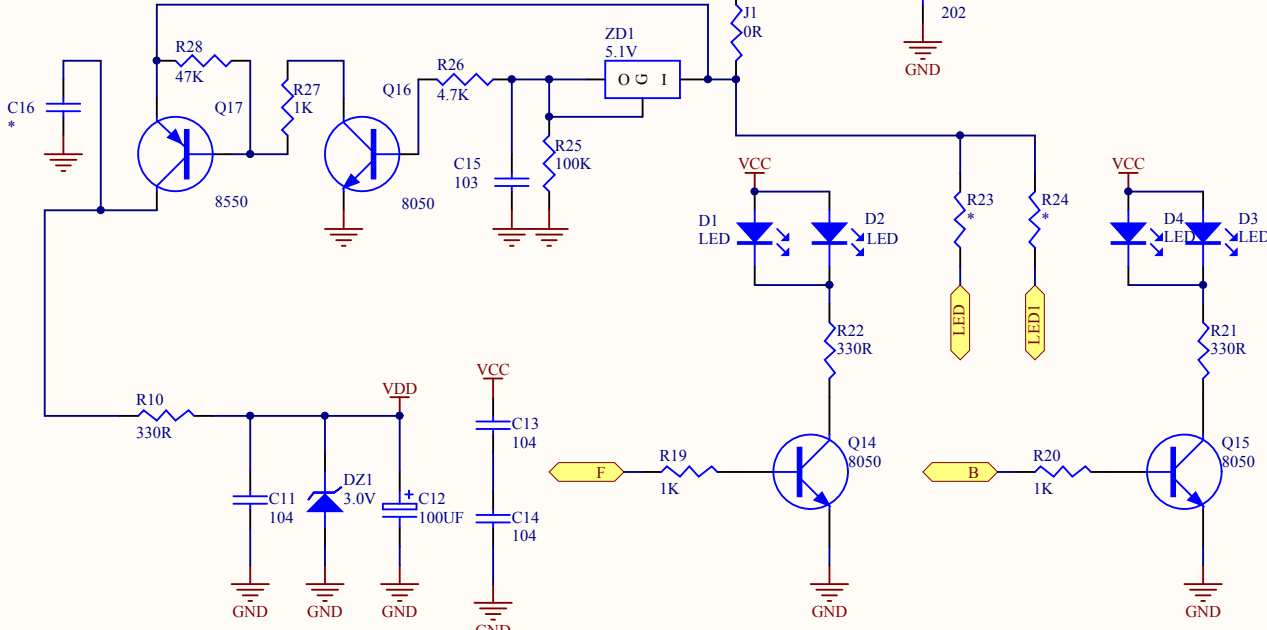
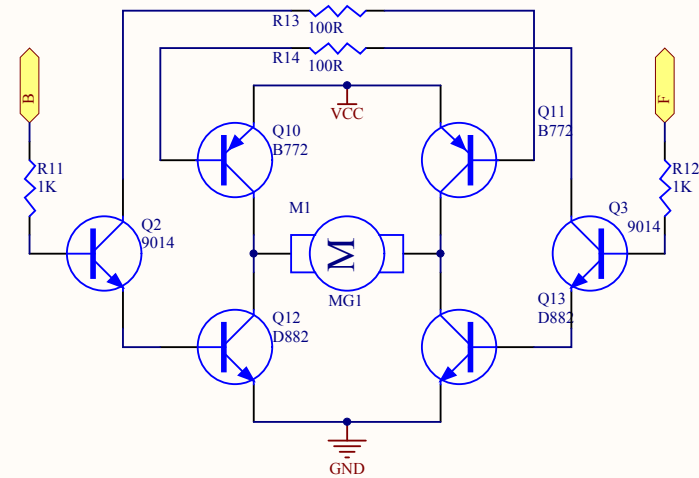
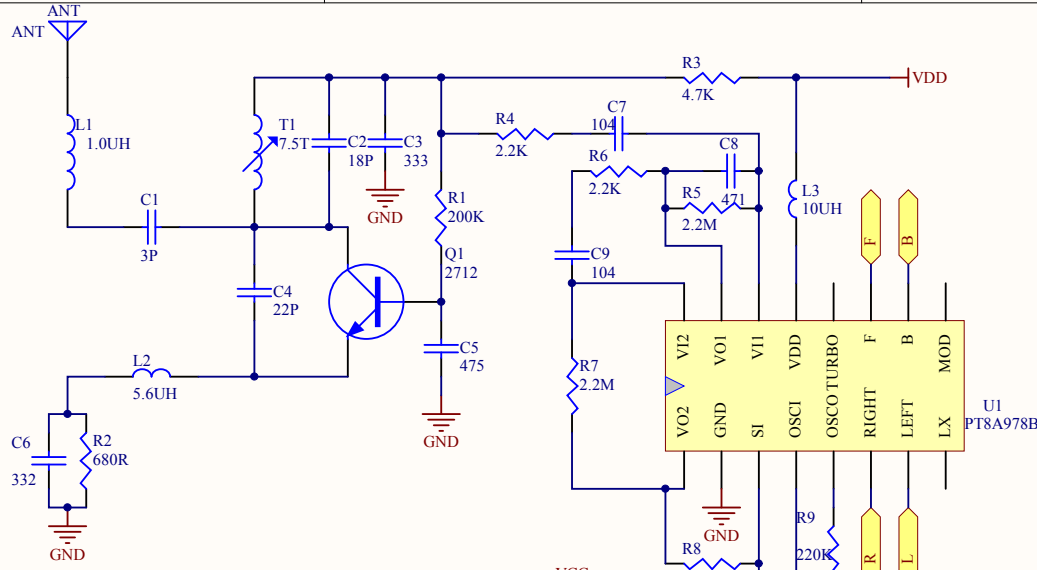
4

A

B

C

D



Title		
Size	Number	Revision
A4		
Date:	2015-11-12	Sheet of
File:	D:\... \J88242R 49M.SchDoc	Drawn By:

1

2

3

4