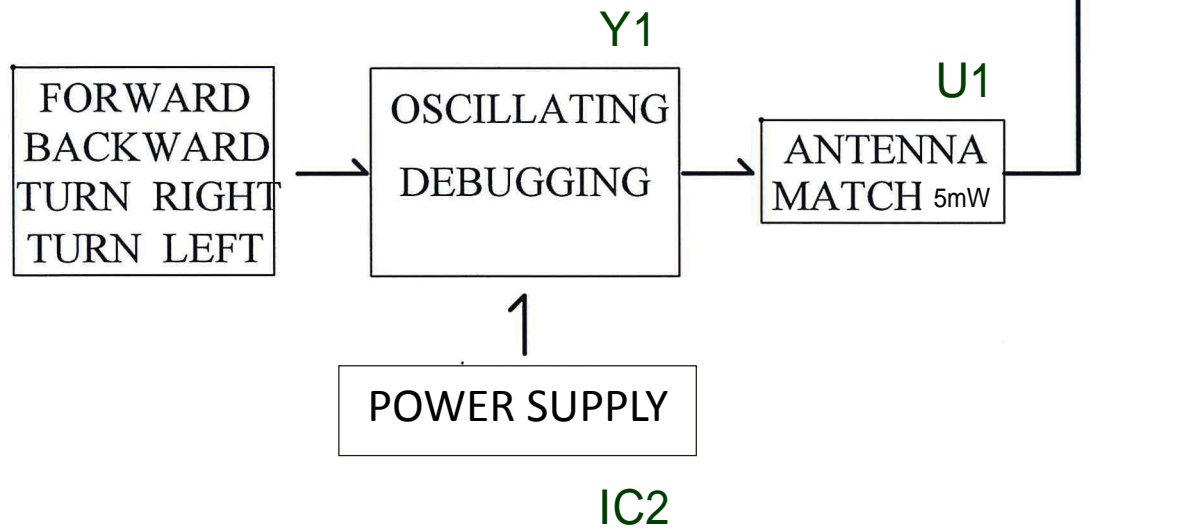


(2.4G)BLOCK DIAGRAM OF TRANSMITTER



Title			2.4GTR		
Size	Number	Revision			
A4					
Date:	2015-9-14	Sheet of			
File:	F:\原理图\2.4G 发射流程图.SCHDOC	Drawn By:			