

1

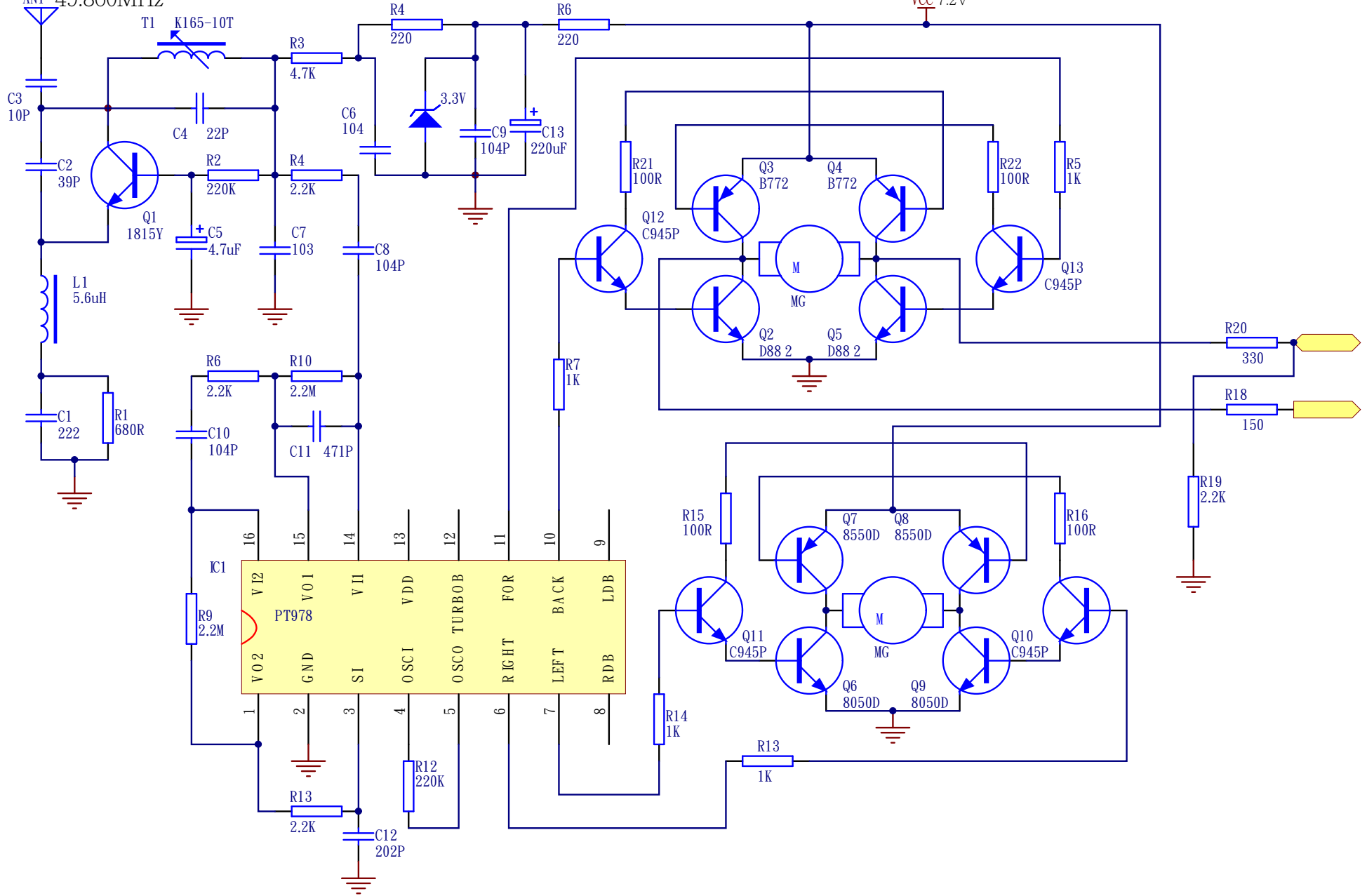
2

3

4

ANT 49.860MHz

VCC 7.2V



1

2

3

4