

ADVENTURE FORCE™

INSTRUCTION MANUAL

NO.: 87412
573756056



6+ age



Contents

- RC T-Rex x 1
- RC Transmitter (Transmitter) x1
- Water Rump x 1



RC Transmitter x 1

15M (49 feet)
RANGE



RC T-Rex x 1

BATTERY REQUIREMENTS:



3 x AA
For T-Rex
(Included)



2 x AA
For Transmitter
(Not Included)

Battery Precaution

1. Alkaline batteries are recommend to be used
2. Only batteries of the same or equivalent type as recommended are to be used
3. Do not mix alkaline, standard or rechargeable batteries
4. Do not mix old and new batteries or different type of batteries
5. Non-rechargeable batteries are not to be charged
6. If rechargeable batteries are to be used, they are only to be charged under adult supervision
7. Rechargeable batteries are to be removed from the product before they are charged
8. Be sure to insert batteries with correct polarities and always follow the battery manufacturer's instructions
9. Remove all batteries from the Vehicle and Transmitter when not in use
10. Exhausted batteries are to be removed from the product
11. The supply terminals are not to be short-circuited
12. Dispose of batteries properly / Do not dispose the batteries in fire - it may cause them to explode or leak causing injury or damage
13. Battery installation and removal must only be done by an adult

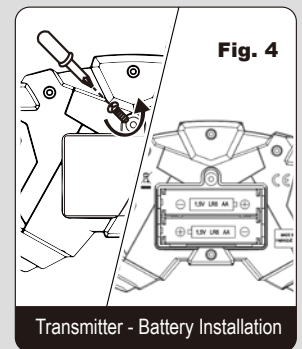
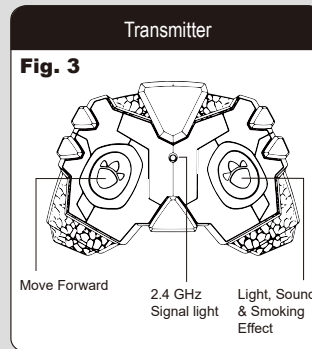
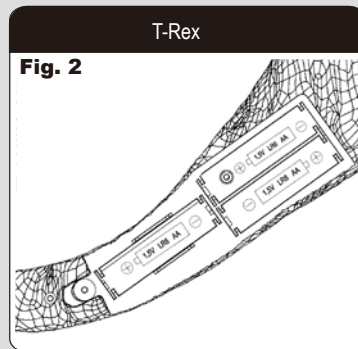
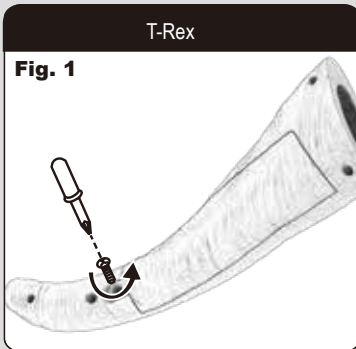
Battery Installation

For T-Rex (Fig. 1 and Fig. 2)

1. Switch OFF the power
2. Unscrew the screw on the battery cover
3. Open the battery cover
4. Install 3 new 1.5V "AA" batteries with correct polarities (+/-)
5. Close the battery cover
6. Tighten the screw on the battery cover

For Transmitter (Fig. 3 and Fig. 4)

1. Unscrew the screw on the battery cover
2. Open the battery cover
3. Install 2 new 1.5V "AA" batteries with correct polarities (+/-) as shown inside the battery compartment
4. Close the battery cover
5. Tighten the screw on the battery cover



How To Fill In Water For Smoking Effect

1. Fill in clear water into the water pump.



2. Open the cap of water tank on the T-Rex (Fig.5 and Fig.6)



3. Fill in clear water to T-Rex by using the provided water pump. (Fig.7)

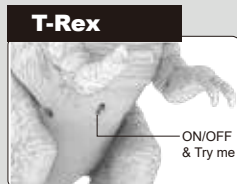


4. Close the cap firmly. (Fig.8)

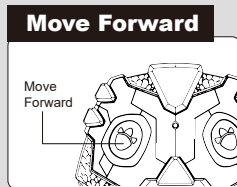
1. Turn on the T-Rex.
2. Hold the Signal Match Button for around 4 seconds then the Transmitter signal light will flash for 6-7 second.
3. After the wheels of the Vehicle turn left and right and the LED light of the Transmitter stops flashing, the binding process completed for playing.
4. If it cannot complete within 8 seconds, please turn off the T-Rex and re-start the binding process.
5. When the binding process is done, whenever switching the T-Rex on and off, it searches for the code that it memorized and will only lock on to the Transmitter signal containing that code.
6. Please turn off the T-Rex and re-start all binding process if changing to another 2.4GHz Transmitter for playing.

How To Play

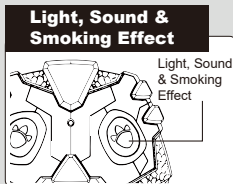
1. Switch ON the T-Rex



2. Use the Transmitter to control the T-Rex move forward



3. Use the Button for Light, Sound & Smoking Effect



4. Play on a smooth surface for optimal performance
5. Remember to switch OFF the power of the T-Rex after playing
6. The optimal control range is up to 15m(49 feet) indoor

Performance Tips

1. Do not drive on grass, dirt, sand, dusts, carpet or go through water.
2. Do not drive in windy or rainy weather.
3. Avoid direct impact with obstacles.
4. Switch OFF the power when not in use to prevent damage of Vehicle due to leakage of electrolyte from batteries.
5. Remove all batteries from the Vehicle and Transmitter when not in use for long period.
6. Keep fingers, hair and loose clothing away from wheels.
7. The operating range can be affected by a variety of factors
 - a) Low Voltage of batteries in Transmitter or Vehicle
 - b) Interference from other items that emit radio frequency signals.
8. Outdoor usage is recommended in order to get optimal control range.
9. Play with the vehicle on a clean and smooth surface.
10. Clean the battery compartment to make sure it is free from dust to prevent poor contact of batteries

Cautions

1. Do not attempt to disassemble the Vehicle or Transmitter
2. Make sure the batteries are installed with correct polarities (+/-) as shown inside the battery compartment
3. Remove the package and take out all accessories before giving the Vehicle and Transmitter to child to play

The packaging and instruction manual contain important information. Please keep them for future reference.

We reserve the right to improve/amend specifications and colors without notice.

FCC label compliance statement:

This device complies with part 15 of the FCC rules. Operation is subject to the following two conditions:

1. This device may not cause harmful interference, and
2. This device must accept any interference received, including interference that may cause undesired operation. Note: This equipment has been tested and found to comply with the limits for a Class B digital device, pursuant to Part 15 of the FCC Rules. These limits are designed to provide reasonable protection against harmful interference in a residential installation. This equipment generates, uses and can radiate radio frequency energy and, if not installed and used in accordance with the instructions, may cause harmful interference to radio communications. However, there is no guarantee that interference will not occur in a particular installation. If this equipment does cause harmful interference to radio or television reception, which can be determined by turning the equipment off and on, the user is encouraged to try to correct the interference by one or more of the following measures:
 - Reorient or relocate the receiving antenna
 - Increase the separation between the equipment and receiver
 - Connect the equipment into an outlet on a circuit different from that to which the receiver is connected
 - Consult the dealer or an experienced radio/TV technician for help

Warning: Changes or modifications to this unit not expressly approved by the party responsible for compliance could void the user's authority to operate the equipment.

RSS-210 Compliance Statement:

This device contains licence-exempt transmitter(s)/receiver(s) that comply with Innovation, Science and Economic Development Canada's licence-exempt RSS(s).

Operation is subject to the following two conditions:

- (1) This device may not cause interference.
- (2) This device must accept any interference, including interference that may cause undesired operation of the device.

Declaration of Conformity

The product is in conformity with the requirement of EU Directive 2014/53/EU.

Environmental notes:

The whole product also does not belong to household waste at the end of the product life.

You can return it at collection points for the recycling of electronic and electrical instruments

The symbol on the item, instruction manual, hangtag or packing is showing this clearly.

Materials should be recycled according to their respective markings.

Recycling of old devices or other re-use of materials contained therein represents an important contribution to environmental protection.

Please ask at your local community for the correct collection point.



Disposal of batteries

Batteries should not be disposed of in the household waste. As the consumer you are legally obliged to return batteries containing harmful substances and all other used batteries. You can hand in your old batteries at public collection points in your area or wherever batteries are sold.

You will find these chemical abbreviations along with a crossed-out refuse bin on batteries containing harmful substances:

Pb=Battery contains lead

Cd=Battery contains cadmium

Hg=Battery contains mercury



Frequency band: 2405-2475 MHz
Maximum radio frequency
power transmitted: <0dBm



Conforms to the safety requirements of ASTM F963

©2019 Walmart Inc.
Adventure Force is a trademark of
Walmart Inc. All Rights Reserved.
Distributed by Walmart Inc., Bentonville, AR 72716
MADE IN CHINA

Walmart.com