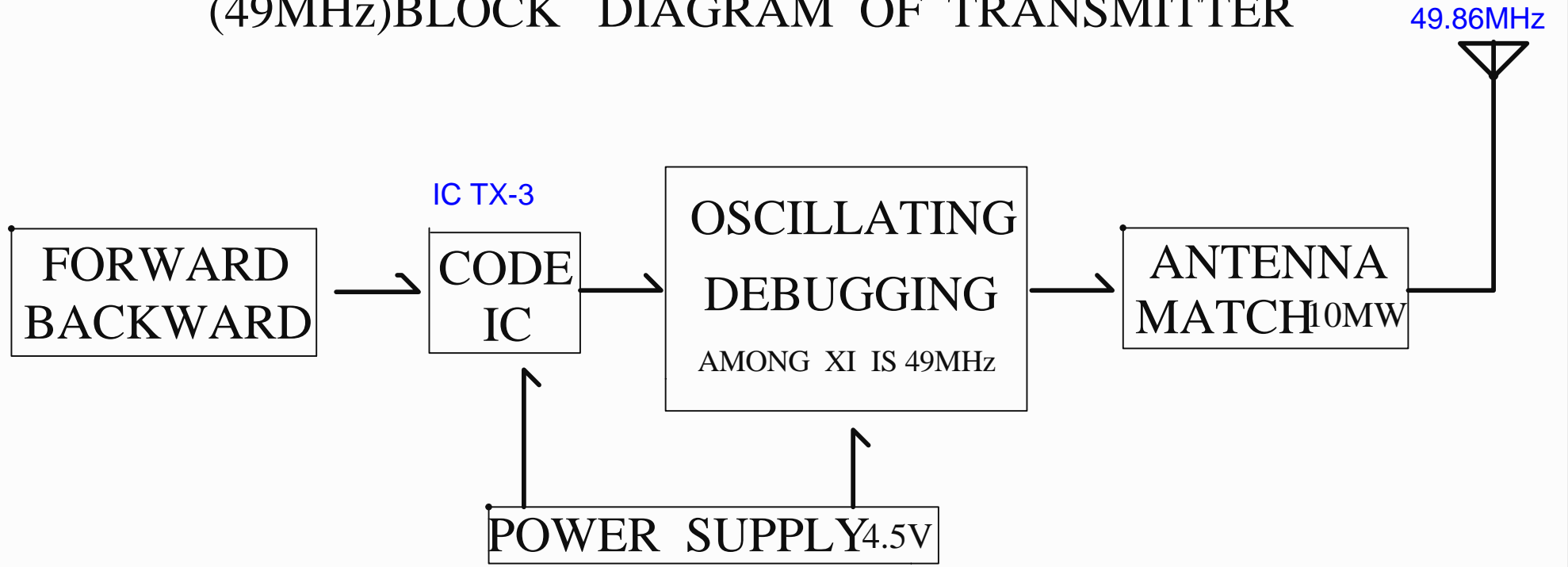


# (49MHz)BLOCK DIAGRAM OF TRANSMITTER



Title		
Size A4	Number	Revision
Date: 2015-8-5	Sheet of	
File: F:\原理图\931t5y 发射流程图.SCHDOC	Drawn By:	