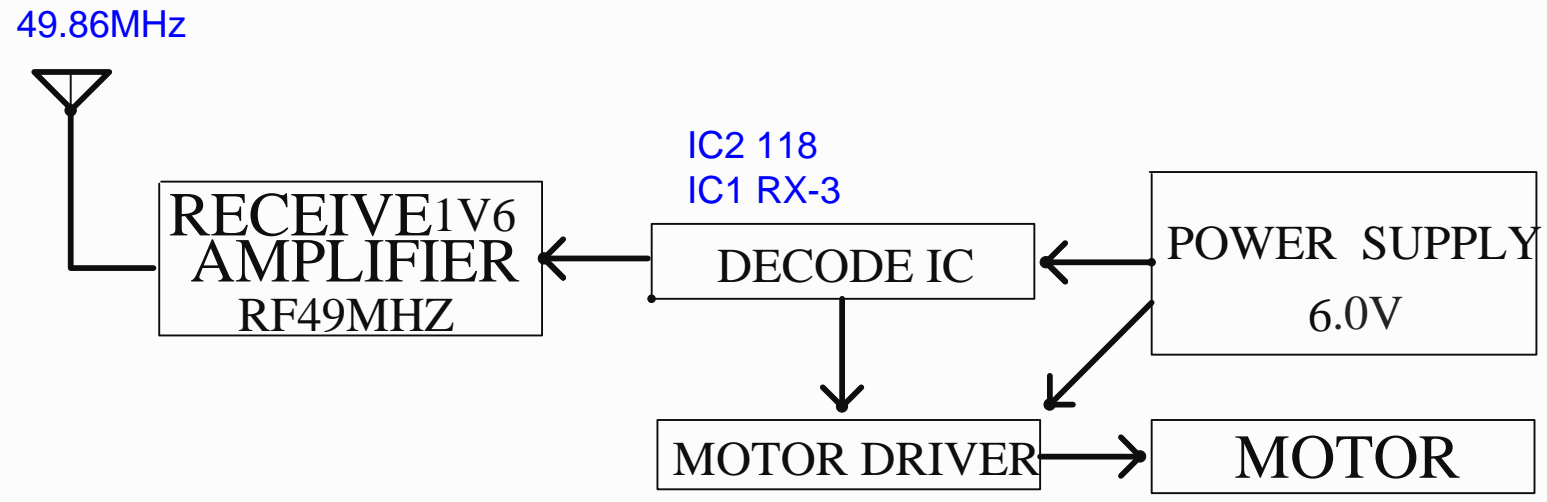


# (49MHz)BLOCK DIAGRAM OF RECEIVER



Title		
Size A4	Number	Revision
Date:	2015-8-5	Sheet of
File:	F:\原理图\934rc2 接收流程图.SCHDOC	Drawn By: