

1

2

3

4

A

A

B

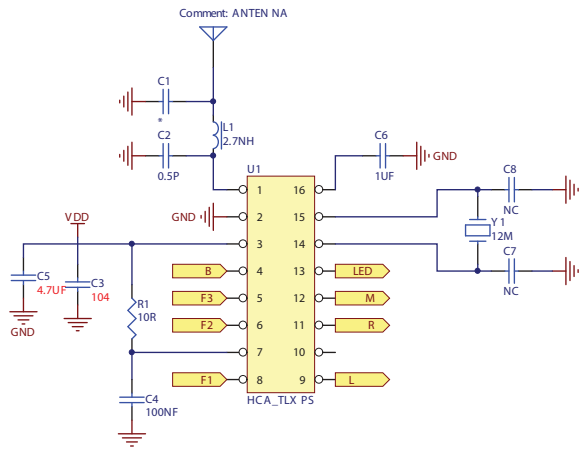
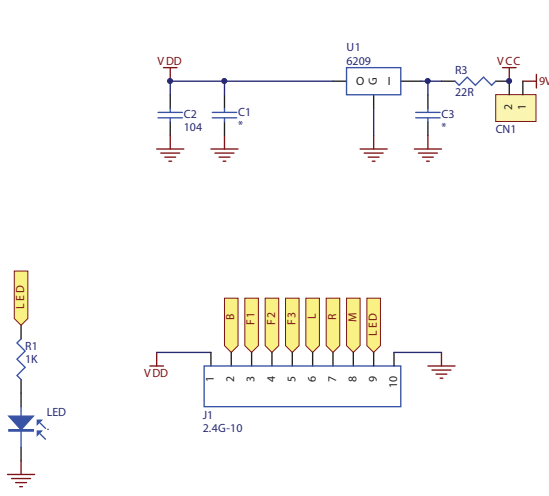
B

C

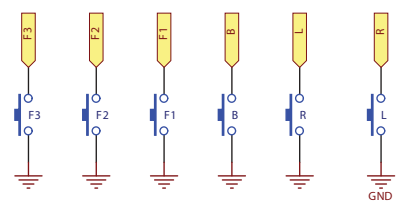
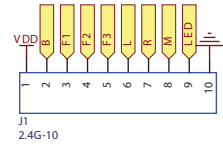
C

D

D



\*\*\* values for capacitors mean spare sockets.



1

2

3

4