

1

2

3

4

A

A

" * " values represent spare sockets.

B

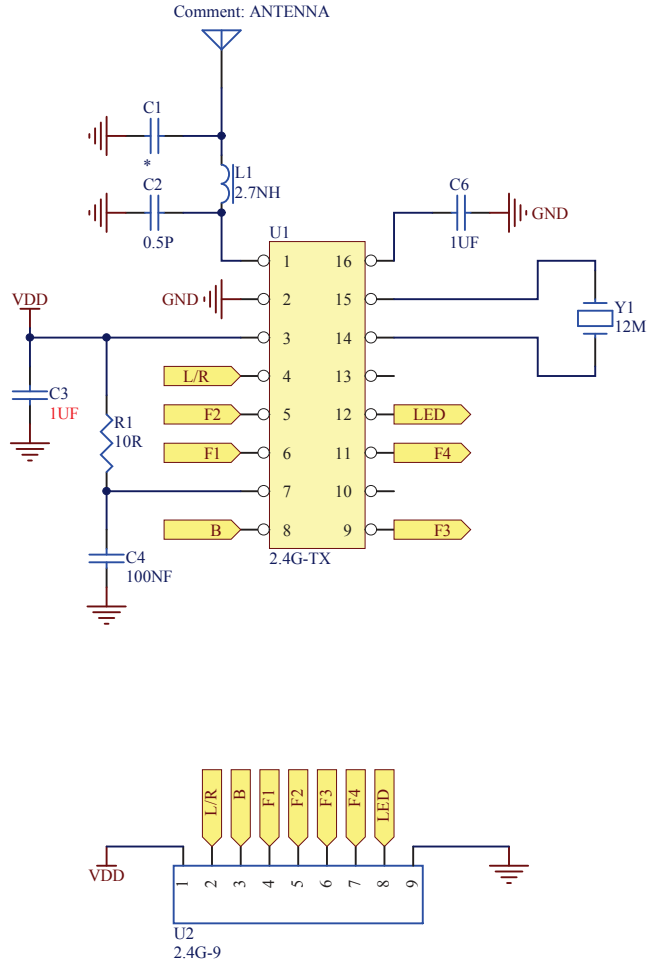
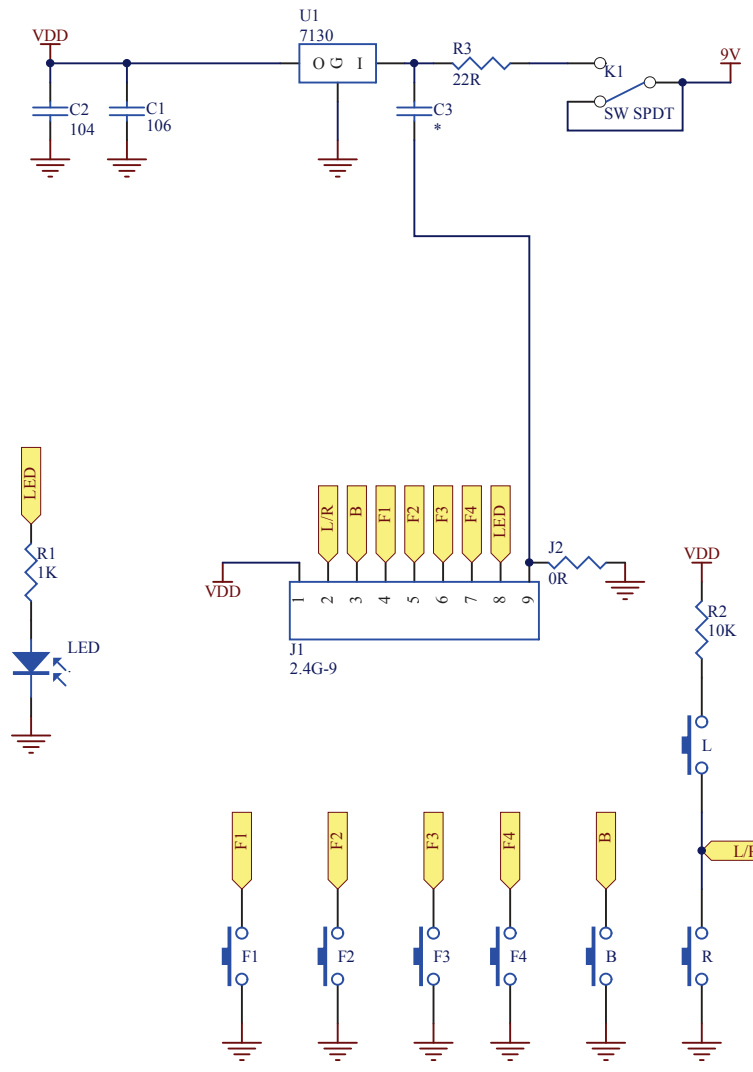
B

C

C

D

D



1

2

3

4