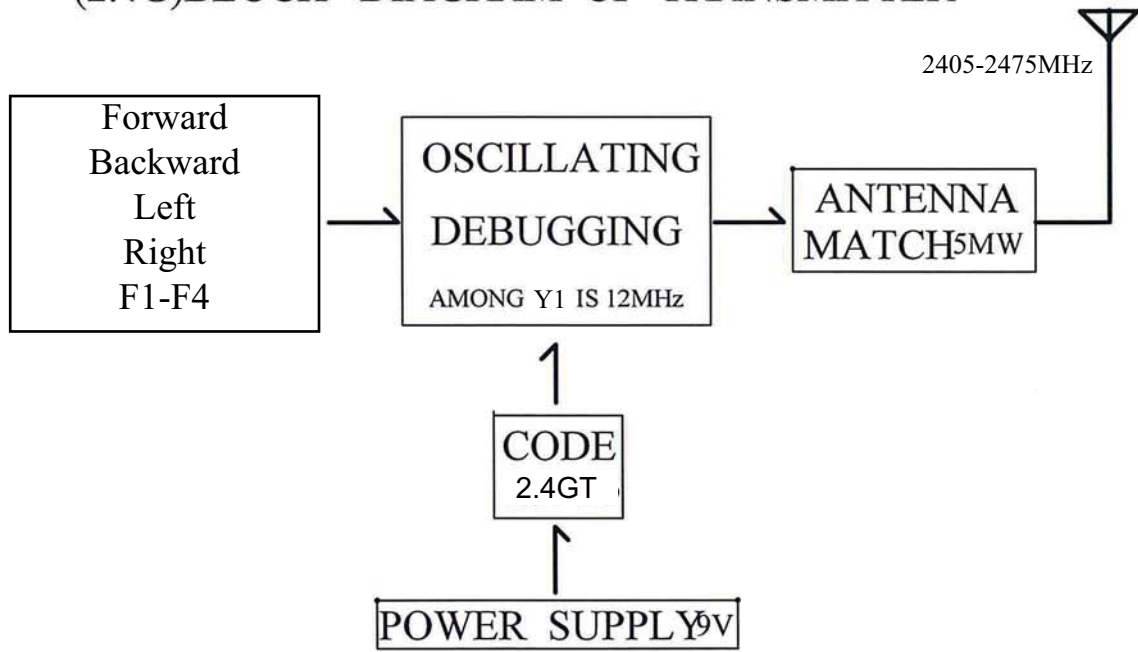


# (2.4G)BLOCK DIAGRAM OF TRANSMITTER



|       |                  |           |        |  |          |
|-------|------------------|-----------|--------|--|----------|
| Title |                  |           | 2.4GTR |  |          |
| Size  | Number           |           |        |  | Revision |
| A4    | XL933T2G         |           |        |  |          |
| Date: | 2015-9-14        | Sheet of  |        |  |          |
| File: | 2.4G 流程图 SCH100C | Drawn By: |        |  |          |