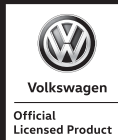




No.#84154 / 84155



OFFICIAL LICENSED



### Contents

- RC Vehicle (Vehicle) x 1
- RC Transmitter (Transmitter) x 1
- Instruction Manual x 1

20M / 65FT RANGE



RC Transmitter x 1



RC Vehicle x 1

### BATTERY REQUIREMENTS:

4 X AA For Vehicle (Not Included)

2 X AAA For Transmitter (Not Included)

### Battery Precaution

- Alkaline batteries are recommended to be used
- Only batteries of the same or equivalent type as recommended are to be used
- Do not mix alkaline, standard or rechargeable batteries
- Do not mix old and new batteries or different type of batteries
- Non-rechargeable batteries are not to be charged
- If rechargeable batteries are to be used, they are only to be charged under adult supervision
- Rechargeable batteries are to be removed from the product before they are charged
- Be sure to insert batteries with correct polarities and always follow the battery manufacturer's instructions
- Remove all batteries from the Vehicle and Transmitter when not in use
- Exhausted batteries are to be removed from the product
- The supply terminals are not to be short-circuited
- Dispose of batteries properly. Do not dispose the batteries in fire - it may cause them to explode or leak causing injury or damage
- Battery installation and removal must only be done by adult

### Battery Installation

For Vehicle (Fig. 1, 2 and Fig. 3)

### Vehicle

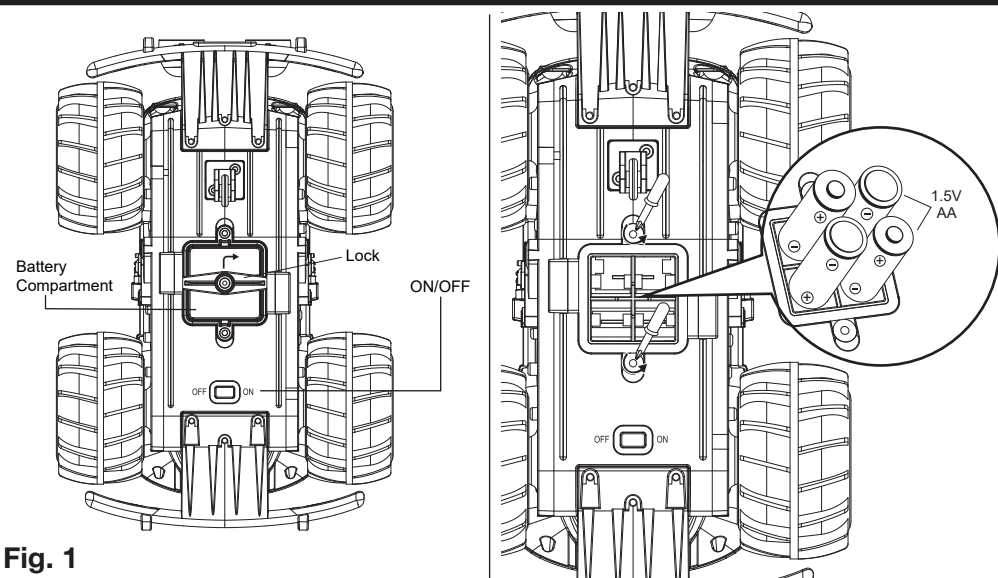


Fig. 1

- Switch OFF the power
- Turn the lock on the battery cover to the vertical position
- Unscrew the screws on the battery cover
- Open the battery cover
- Install 4 new 1.5V "AA" batteries with correct polarities (+/-) as shown inside the battery compartment
- Close the battery cover
- Tighten the screws on the battery cover
- Turn the lock back to the horizontal position

### 2.4 GHz Transmitter

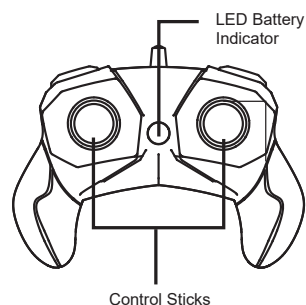


Fig. 2

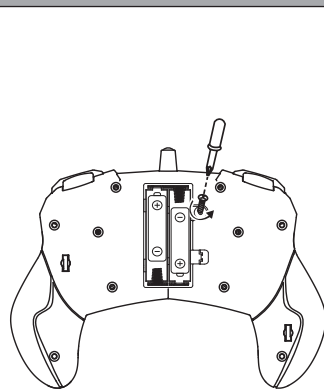


Fig. 3

### Transmitter - Battery Installation

## How To Bind

- Turn OFF the Vehicle and then install the batteries into the Vehicle and Transmitter.
- Do not touch the wheels and turn ON the Vehicle. When the wheels run automatically, the pairing process completed and it is ready for playing.
- As long as the batteries in both Vehicle and Transmitter are not removed, it is no need for pairing process after switching OFF the Vehicle. Just switch ON the Vehicle and it will still be paired up with the Transmitter.
- If the pairing process is not completed, please remove the batteries from the Vehicle and Transmitter and re-start the process. (Step# 1)

## How To Play

- Ensure that the ON/OFF Switches on the Vehicle and the Transmitter are at the ON position.
- Control the LEFT and RIGHT Sticks on the Transmitter for movement. (Fig.5)
- The Play time is around 35 mins. Please drive the Vehicle back before battery exhausted.
- The optimum control range is up to 20m (65 ft) outdoor.
- Play on the clear water.

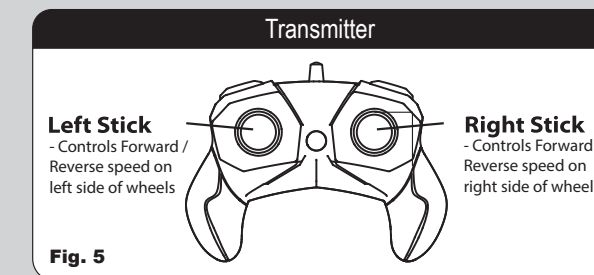


Fig. 5

### Left Stick

Neutral  
Up  
Down  
Up  
Down  
Up  
Down  
Neutral  
Neutral

### Right Stick

Neutral  
Up  
Down  
Down  
Up  
Neutral  
Neutral  
Up  
Down

### Function

Nothing  
Forward  
Backward  
Spin Right  
Spin Left  
Forward & Right Turn  
Reverse & Right Turn  
Forward & Left Turn  
Reverse & Left Turn

### Performance Tips

- Do not drive on grass, dirt, sand, dusts or carpet.
- Do not drive in windy or rainy weather.
- Avoid direct impact the Vehicle with obstacles.
- Switch OFF the power when not in use to prevent damage of Vehicle and Transmitter due to leakage of electrolyte from batteries.
- Remove all batteries from the Vehicle and Transmitter when not in use for long period.
- Keep fingers, hair and loose clothing away from wheels.
- The operating range can be affected by a variety of factors
  - Low Voltage of batteries in Transmitter or Vehicle
  - Interference from other items that emit radio frequency signals.
- Outdoor usage is recommended in order to get optimum control range.
- Recommend to play the vehicle on a clean and smooth surface.
- Clean the battery compartment to make sure it is free from dust to prevent poor contact of batteries

### Cautions

- Do not attempt to disassemble the Vehicle or Transmitter
- Make sure the batteries are installed with correct polarities (+/-) as shown inside the battery compartment
- Remove the package and take out all accessories before giving the Vehicle and Transmitter to child to play

The packaging and instruction manual contain important information. Please keep them for future reference.  
Warning! Choking Hazard. Not suitable for children under the age of 3 years due to small parts.  
We reserve the right to improve/amend specifications and colors without notice.

### FCC label compliance statement:

This device complies with part 15 of the FCC rules. Operation is subject to the following two conditions:

- This device may not cause harmful interference, and
- This device must accept any interference received, including interference that may cause undesired operation. Note: This equipment has been tested and found to comply with the limits for a Class B digital device, pursuant to Part 15 of the FCC Rules. These limits are designed to provide reasonable protection against harmful interference in a residential installation. This equipment generates, uses and can radiate radio frequency energy and, if not installed and used in accordance with the instructions, may cause harmful interference to radio or television reception, which can be determined by turning the equipment off and on, the user is encouraged to try to correct the interference by one or more of the following measures:
  - Reorient or relocate the receiving antenna
  - Increase the separation between the equipment and receiver
  - Connect the equipment into an outlet on a circuit different from that to which the receiver is connected
  - Consult the dealer or an experienced radio/TV technician for help

Warning: Changes or modifications to this unit not expressly approved by the party responsible for compliance could void the user's authority to operate the equipment.

### RSS-210 Compliance Statement:

This device contains licence-exempt transmitter(s)/receiver(s) that comply with Innovation, Science and Economic Development Canada's licence-exempt RSS(s).

Operation is subject to the following two conditions:

- This device may not cause interference.
- This device must accept any interference, including interference that may cause undesired operation of the device.

### Declaration of Conformity

The product is in conformity with the requirement of EU Directive 2014/53/EU.

### Environmental notes:

- The whole product also does not belong to household waste at the end of the product life. You can return it at collection points for the recycling of electronic and electrical instruments. The symbol on the item, instruction manual, hangtag or packing is showing this clearly. Materials should be recycled according to their respective markings. Recycling of old devices or other re-use of materials contained therein represents an important contribution to environmental protection. Please ask at your local community for the correct collection point.

### Disposal of batteries

- Batteries should not be disposed of in the household waste. As the consumer you are legally obliged to return batteries containing harmful substances and all other used batteries. You can hand in your old batteries at public collection points in your area or wherever batteries are sold. You will find these chemical abbreviations along with a crossed-out refuse bin on batteries containing harmful substances:
  - Pb=Battery contains lead
  - Cd=Battery contains cadmium
  - Hg=Battery contains mercury



www.kidztech.net

Frequency band : 2405 - 2475 MHz  
Maximum radio frequency power transmitted : <0 dBm

Conforms to the safety requirements of ASTM F963



KIDZTECH TOYS MANUFACTURING LTD.  
Room 802, 8/F, Inter-Continental Plaza,  
94 Granville Road, TST East, Hong Kong.  
Tel: (852) 27218868 info@kidztech.net  
Made in China http://www.kidztech.net

US OFFICE:  
1540 Forest Avenue,  
River Forest, IL 60305, USA  
Tel: 708-689-0085 Fax: 708-689-8172