

# TOPMAZ<sup>TM</sup> racing

## INSTRUCTION MANUAL

NO.: 84063



1:24  
SCALE



6+  
age

120  
KMH  
SPEED

# JET PANTHER

## FULL FUNCTION RADIO CONTROL



### Contents

- RC Vehicle (Vehicle) x 1
- RC Transmitter (Transmitter) x 1
- Instruction Manual x 1




RC Transmitter x 1



RC Vehicle x 1

### BATTERY REQUIREMENTS:

 3 x AAA  
For Vehicle  
(Not Included)

 2 x AAA  
For Transmitter  
(Not Included)

### Battery Precaution

1. Alkaline batteries are recommended to be used
2. Only batteries of the same or equivalent type as recommended are to be used
3. Do not mix alkaline, standard or rechargeable batteries
4. Do not mix old and new batteries or different type of batteries
5. Non-rechargeable batteries are not to be charged
6. If rechargeable batteries are to be used, they are only to be charged by adult
7. Rechargeable batteries are to be removed from the product before they are charged
8. Be sure to insert batteries with correct polarities and always follow the battery manufacturer's instructions
9. Remove all batteries from the Vehicle and Transmitter when not in use
10. Exhausted batteries are to be removed from the product
11. The supply terminals are not to be short-circuited
12. Dispose of batteries properly. Do not dispose the batteries in fire – it may cause them to explode or leak causing injury or damage
13. Battery installation and removal must only be done by adult

## Battery Installation

### For Vehicle (Fig. 1 and Fig. 2)

1. Switch OFF the power
2. Unscrew the screw on the battery cover
3. Open the battery cover
4. Install 3 new 1.5V "AAA" batteries with correct polarities (+/-) as shown inside the battery compartment
5. Close the battery cover
6. Tighten the screw on the battery cover

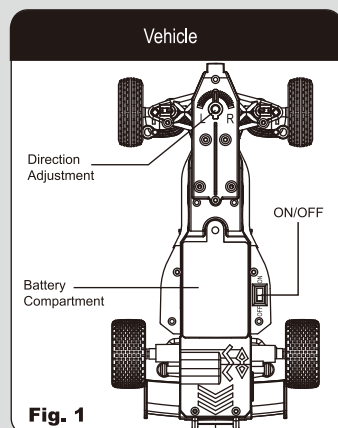
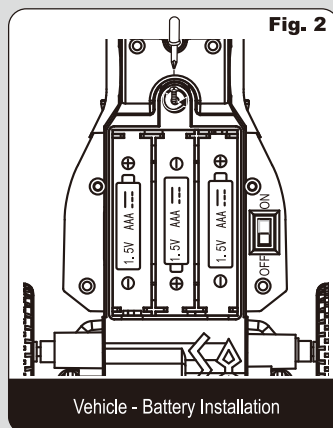


Fig. 1



Vehicle - Battery Installation

### For Transmitter (Fig. 3 and Fig. 4)

1. Unscrew the screw on the battery cover
2. Open the battery cover
3. Install 2 new 1.5V "AAA" batteries with correct polarities (+/-) as shown inside the battery compartment
4. Close the battery cover
5. Tighten the screw on the battery cover

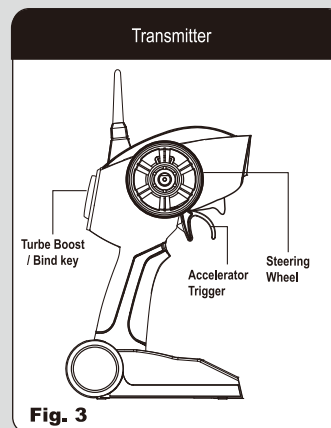
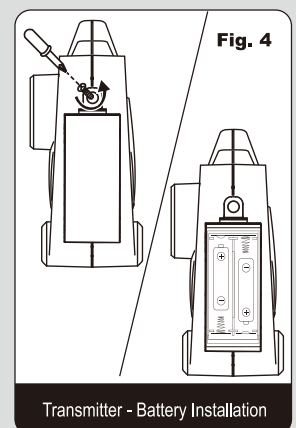


Fig. 3

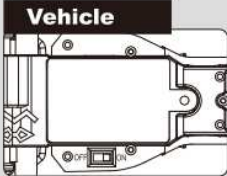


Transmitter - Battery Installation

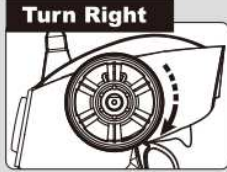
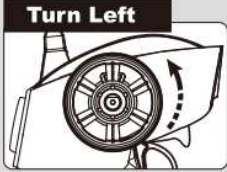
1. Turn on the Vehicle.
2. Hold the Signal Match Button for 4 second then the Transmitter signal light will flash for 6-7 second. When the Transmitter signal light keep on will show the matching.
3. After the wheels of the Vehicle turn left and right and the LED light of the Transmitter stops flashing, the binding process completed for playing.
4. If it cannot complete within 8 seconds, please turn off the Vehicle and re-start the binding process.
5. When the binding process is done, whenever switching the Vehicle on and off, it searches for the code that it memorized, and will only lock on to the Transmitter signal containing that code.
6. Please turn off the Vehicle and re-start all binding process if changing to another 2.4GHz Transmitter for playing.

## How To Play

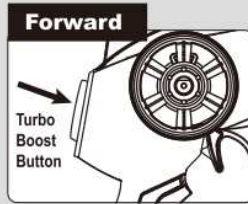
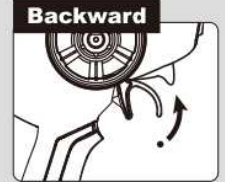
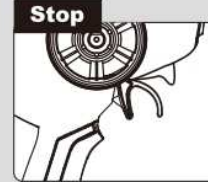
1. Switch ON the Vehicle



2. Use the Steering Wheel to control the Vehicle turning left or right



3. Use the Accelerator Trigger to drive the Vehicle Forward, Stop and Backward



4. Press the button at the rear for turbo boosting when driving forward
5. If the vehicle does not run in straight line, adjust the Direction Adjustment on the Vehicle chassis (Fig.1)
6. Play on smooth surface to have the optimum performance
7. Remember to switch OFF the power of the Vehicle after playing
8. The optimum control range is up to 25m outdoor

### Performance Tips

1. Do not drive on grass, dirt, sand, dusts, carpet or go through water
2. Do not drive in windy or rainy weather
3. Avoid direct impact the Vehicle with obstacles
4. Switch OFF the power when not in use to prevent damage of Vehicle and Transmitter due to leakage of electrolyte from batteries
5. Remove all batteries from the Vehicle and Transmitter when not in use for long period
6. Keep fingers, hair and loose clothing away from wheels
7. The operating range can be affected by a variety of factors
  - a) Low Voltage of batteries in Transmitter or Vehicle
  - b) Interference from other items that emit radio frequency signals
8. Outdoor usage is recommended in order to get optimum control range
9. Recommend to play the vehicle on a clean and smooth surface
10. Clean the battery compartment to make sure it is free from dust to prevent poor contact of batteries

### Cautions

1. Do not attempt to disassemble the Vehicle or Transmitter
2. Make sure the batteries are installed with correct polarities (+/-) as shown inside the battery compartment
3. Remove the package and take out all accessories before giving the Vehicle and Transmitter to child to play

The packaging and instruction manual contain important information. Please keep them for future reference.

Warning! Choking Hazard. Not suitable for children under the age of 3 years due to small parts.

We reserve the right to improve/amend specifications and colors without notice.

### FCC label compliance statement:

This device complies with part 15 of the FCC rules. Operation is subject to the following two conditions:

1. This device may not cause harmful interference, and
2. This device must accept any interference received, including interference that may cause undesired operation. Note: This equipment has been tested and found to comply with the limits for a Class B digital device, pursuant to Part 15 of the FCC Rules. These limits are designed to provide reasonable protection against harmful interference in a residential installation. This equipment generates, uses and can radiate radio frequency energy and, if not installed and used in accordance with the instructions, may cause harmful interference to radio communications. However, there is no guarantee that interference will not occur in a particular installation. If this equipment does cause harmful interference to radio or television reception, which can be determined by turning the equipment off and on, the user is encouraged to try to correct the interference by one or more of the following measures:
  - Reorient or relocate the receiving antenna
  - Increase the separation between the equipment and receiver
  - Connect the equipment into an outlet on a circuit different from that to which the receiver is connected
  - Consult the dealer or an experienced radio/TV technician for help

Warning: Changes or modifications to this unit not expressly approved by the party responsible for compliance could void the user's authority to operate the equipment.

### Declaration of Conformity

The product is in conformity with the requirement of EU Directive 2014/53/EU.

### Environmental notes:



The whole product also does not belong to household waste at the end of the product life. You can return it at collection points for the recycling of electronic and electrical instruments. The symbol on the item, instruction manual, hangtag or packing is showing this clearly. Materials should be recycled according to their respective markings. Recycling of old devices or other re-use of materials contained therein represents an important contribution to environmental protection. Please ask at your local community for the correct collection point.

### Disposal of batteries



Batteries should not be disposed of in the household waste. As the consumer you are legally obliged to return batteries containing harmful substances and all other used batteries. You can hand in your old batteries at public collection points in your area or wherever batteries are sold. You will find these chemical abbreviations along with a crossed-out refuse bin on batteries containing harmful substances:  
 Pb=Battery contains lead  
 Cd=Battery contains cadmium  
 Hg=Battery contains mercury



Conforms to the safety requirements of ASTM F963



KIDZTECH TOYS MANUFACTURING LTD.  
 Room 1201,12/F, Inter-Continental Plaza,  
 94 Granville Road, TST East, Hong Kong.  
 Tel: (852) 27218868 info@kidztech.net  
 Made in China http://www.kidztech.net  
 KT26/06/2018-04EN