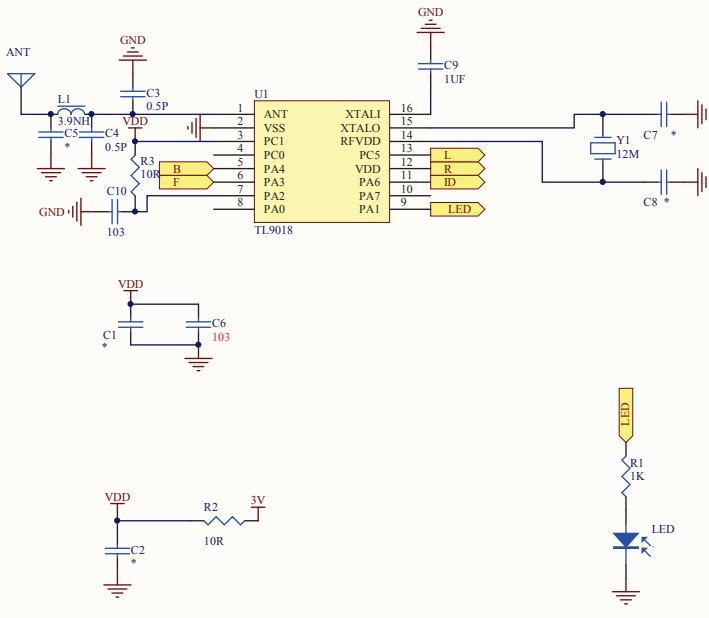


C1, C2, C5, C7 & C8 are spare sockets.



Title			
Size A4	Number	Revision	
Date:	2020/3/17	Sheet of	
File:	E:\_E\9018-TX	SchDoc	Drawn By: