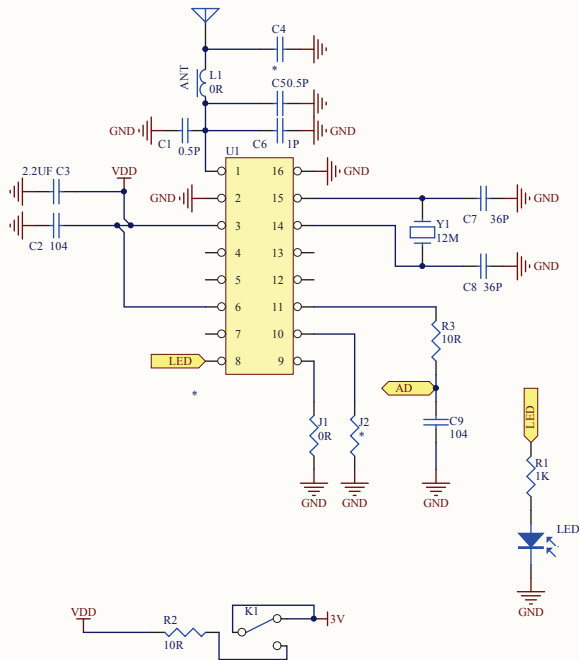
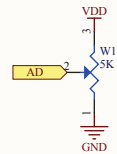


2450MHz /2460MHz



" \* " value represents spare socket.



Title			
Size A4	Number	Revision	
Date:	2019/3/22	Sheet of	
File:	E:\ E \ \ \	SchDoc	Drawn By: