

1

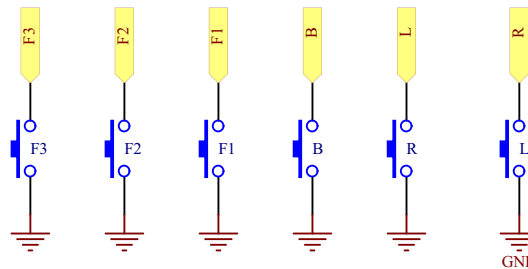
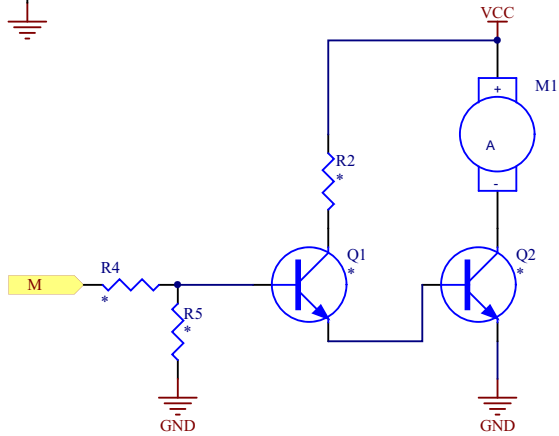
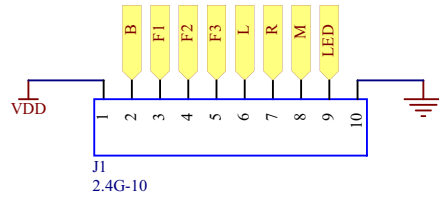
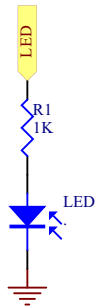
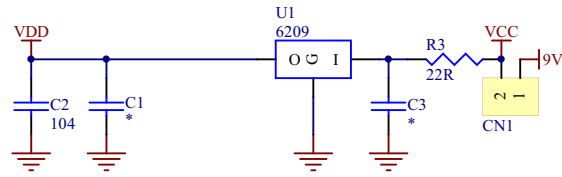
2

3

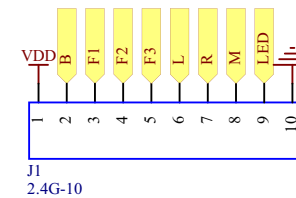
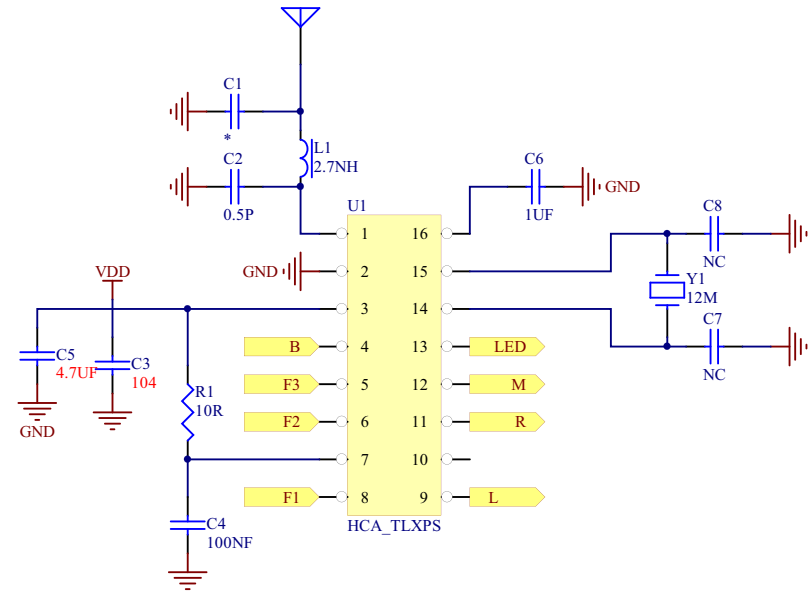
4

A

A



2405-2475MHz



B

B

C

C

D

D

1

2

3

4