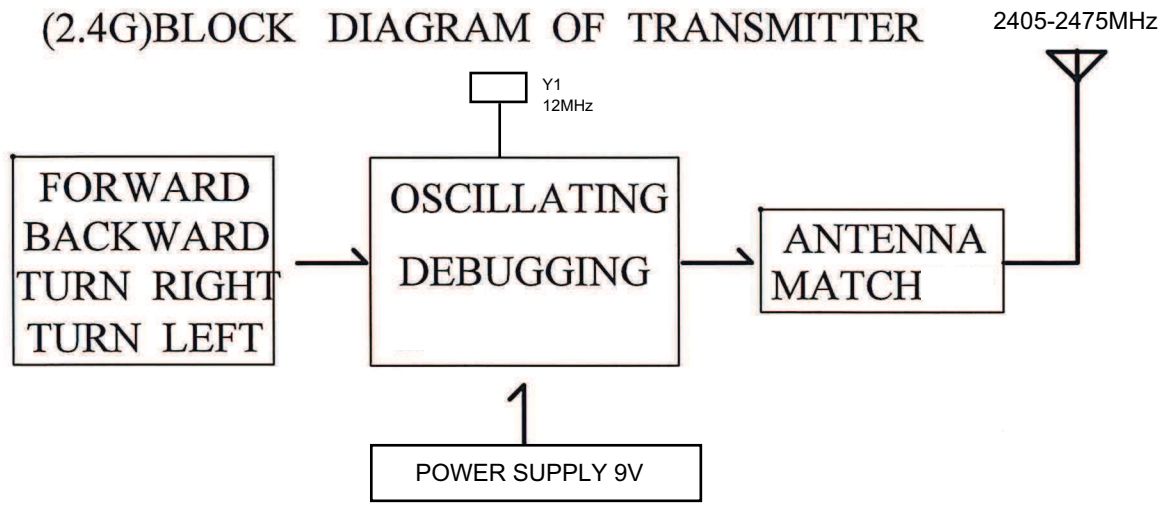
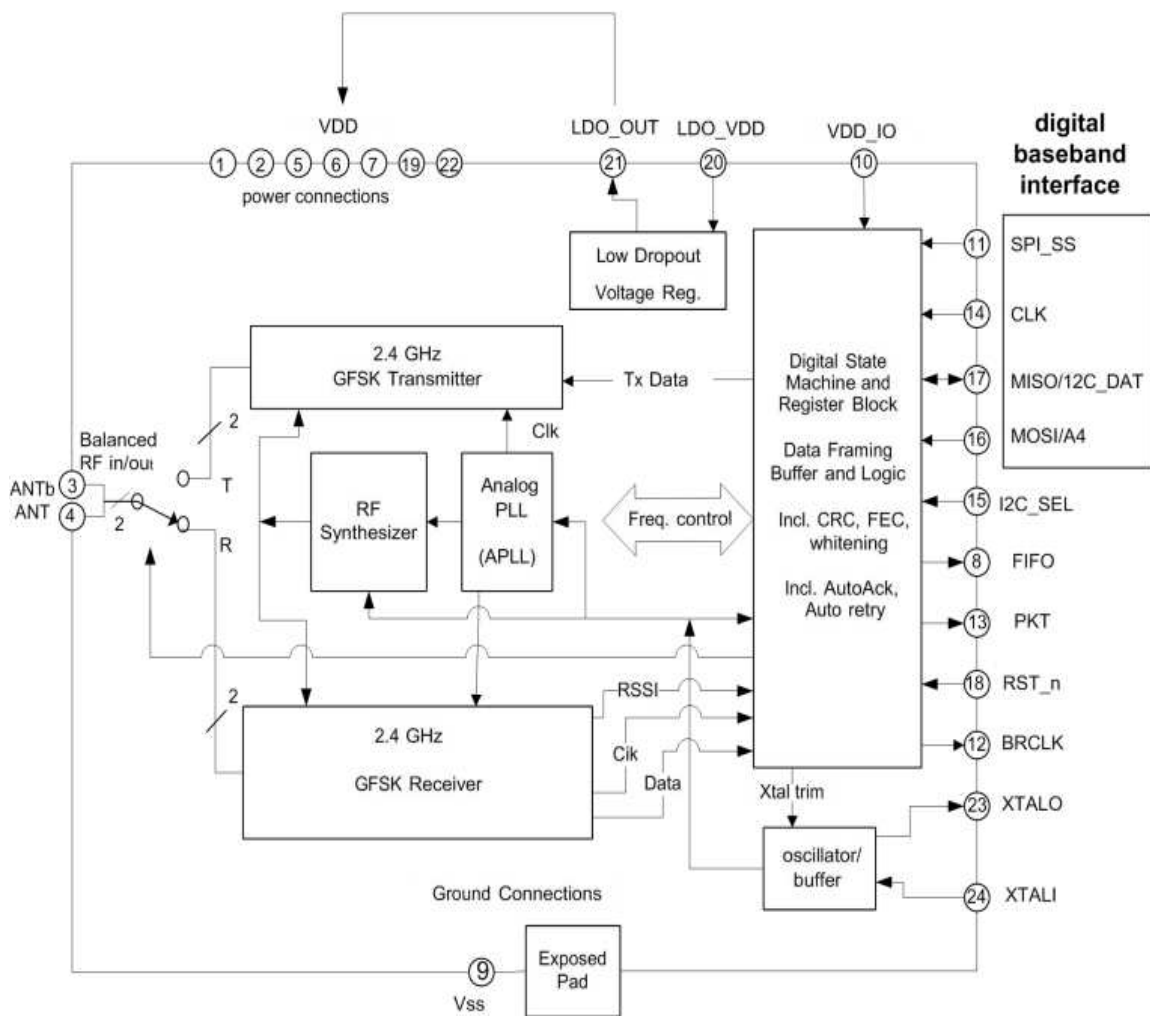


(2.4G)BLOCK DIAGRAM OF TRANSMITTER



Title		2.4GTR	
Size	Number	Revision	
A4	XL933T2G		
Date:	2015-9-14	Sheet of	
File:	F:\电路板图\2.4G 发射流程图图.SCHDOC	Drawn By:	

RF Block diagram



MCU block diagram

