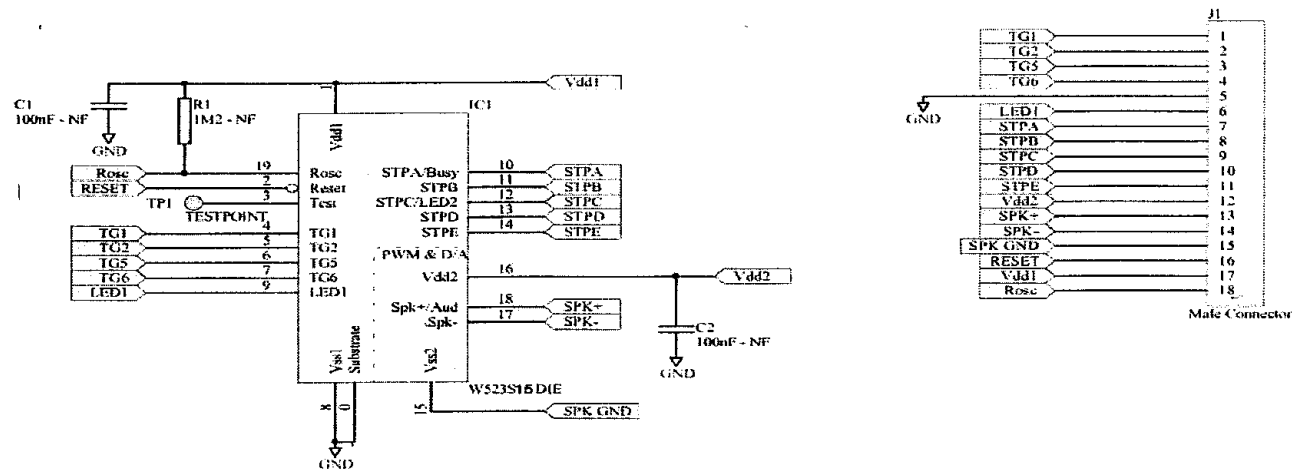
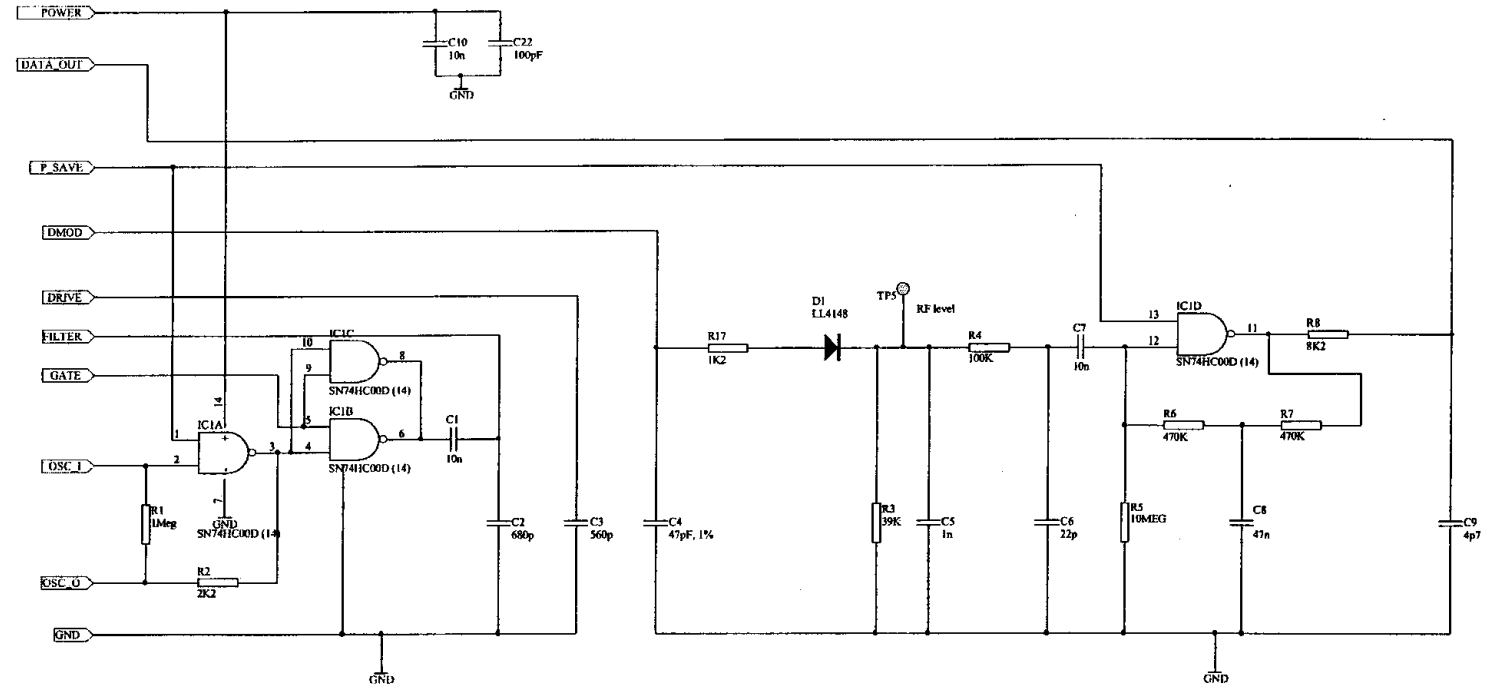


JAKKS WWF SCHEMATIC		
Dwg No. 393/002SCH	Version : 3.0	SHEET 1 OF 2
Orig : LRG	Updated : LRG	Chkd : UK A3
© Copyright 2001 INNOVISION RESEARCH & TECHNOLOGY Plc, Wokingham, England		



Jakks Sound Processor COB			
Dwg No. 393/003SCH	Version : 1	SHEET 1 Of 1	
Orig. : LRG	Updated :	Chk'd : TC	A4
© Copyright 2001 INNOVISION RESEARCH & TECHNOLOGY Plc, Wokingham, England			

NOTE: THIS PART OF THE CIRCUIT TO BE ENCAPSULATED ON PCB



Previous values:

C5=10n
C8=100n (setup time too long)

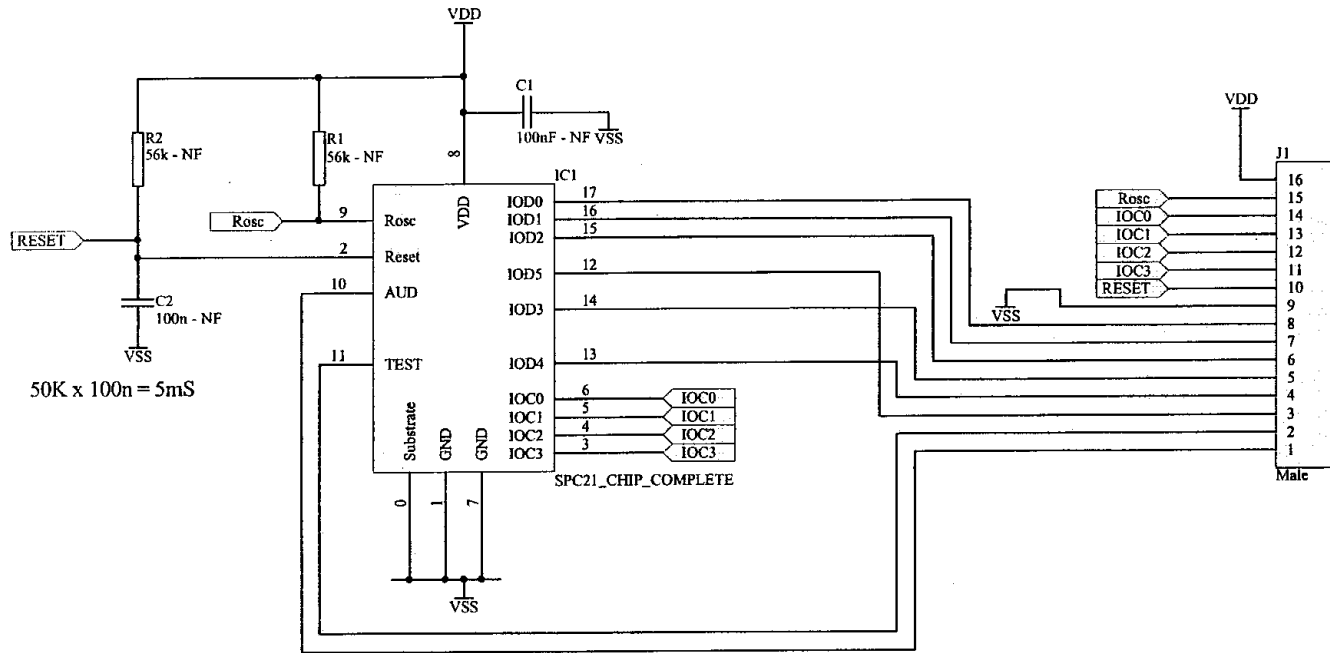


Reader Front-end (13.56 MHz)

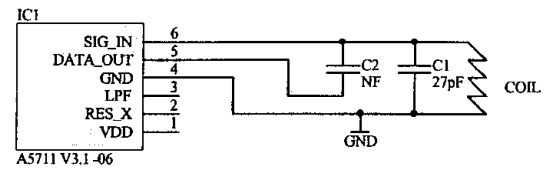
Dwg No. 393_002SCH Version : 3.0 SHEET 2 Of 2


Orig : LRG Updated : LRG Chk'd : IJK A3

© Copyright 2001
INNOVISION RESEARCH & TECHNOLOGY Plc, Wokingham, England



SPC21A COB, all pins out			
Dwg No. 393/004SCH	Version : A	SHEET 1 Of 1	
Orig. : LRG	Updated :	Chk'd : IJK	A4
© Copyright 2001 INNOVISION RESEARCH & TECHNOLOGY Plc, Wokingham, England			



	Jakks WWF Tag			
	Dwg No. 393/010SCH	Version : 1	SHEET 1 Of 1	
	Orig. : LRG	Updated :	Chk'd : TC	A4
© Copyright 2001 INNOVISION RESEARCH & TECHNOLOGY Plc, Wokingham, England				