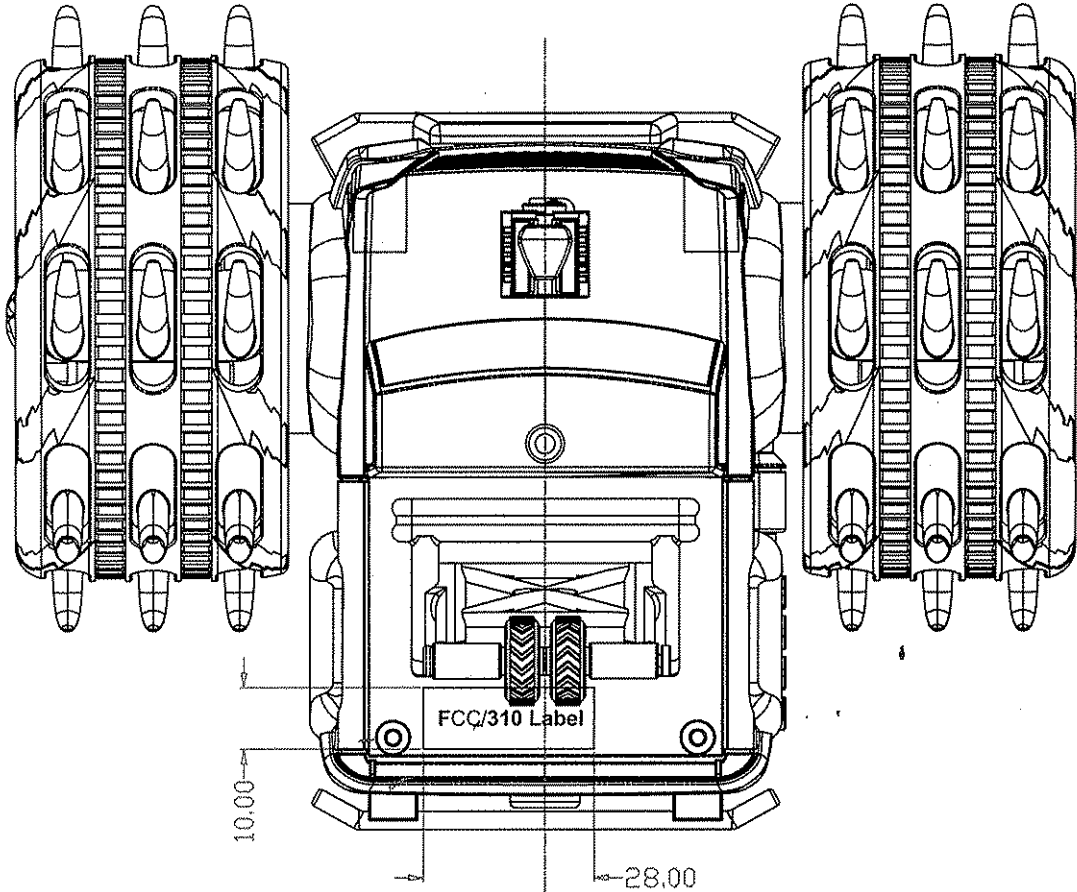


Label Location



Canada 310
Model 73642
FCC ID: OTARC73642R49
Made in China

This device complies with part 15 of the FCC Rules.
Operation is subject to the following two conditions:
(1) This device may not cause harmful interference, and
(2) This device must accept any interference received,
including interference that may cause undesired operation.

Size : 28MM X 10MM