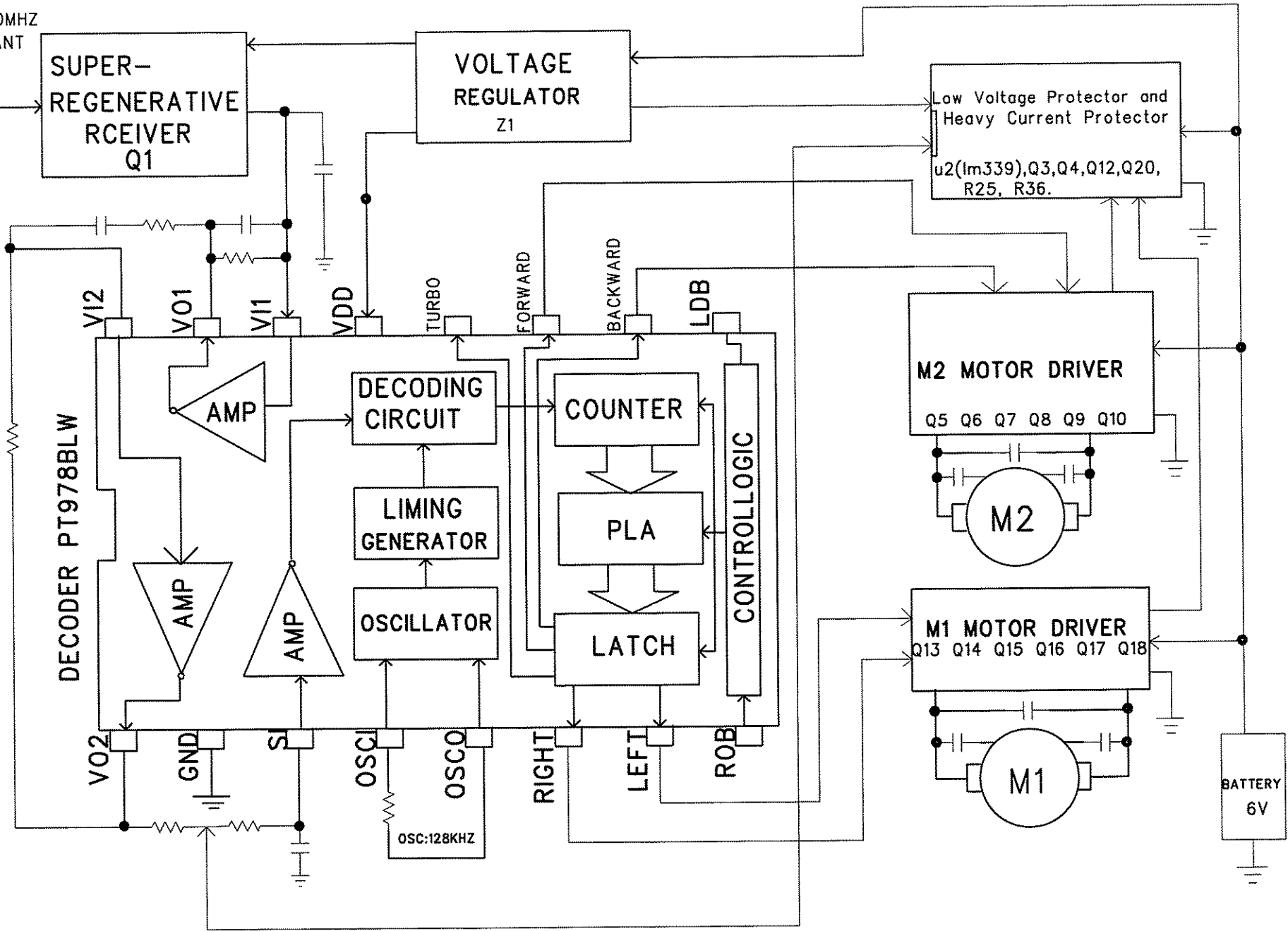


49.860MHZ
ANT



LUNG CHEONG

TITLE:	G180 RX Block Diagram	DESIGN BY:	DRAWING BY:	APPROVED BY:	SHEET:
FUNCTION:	Power Claw		LWCAI		1 of 1
MODEL NO:	73642		MAY 08 2006		