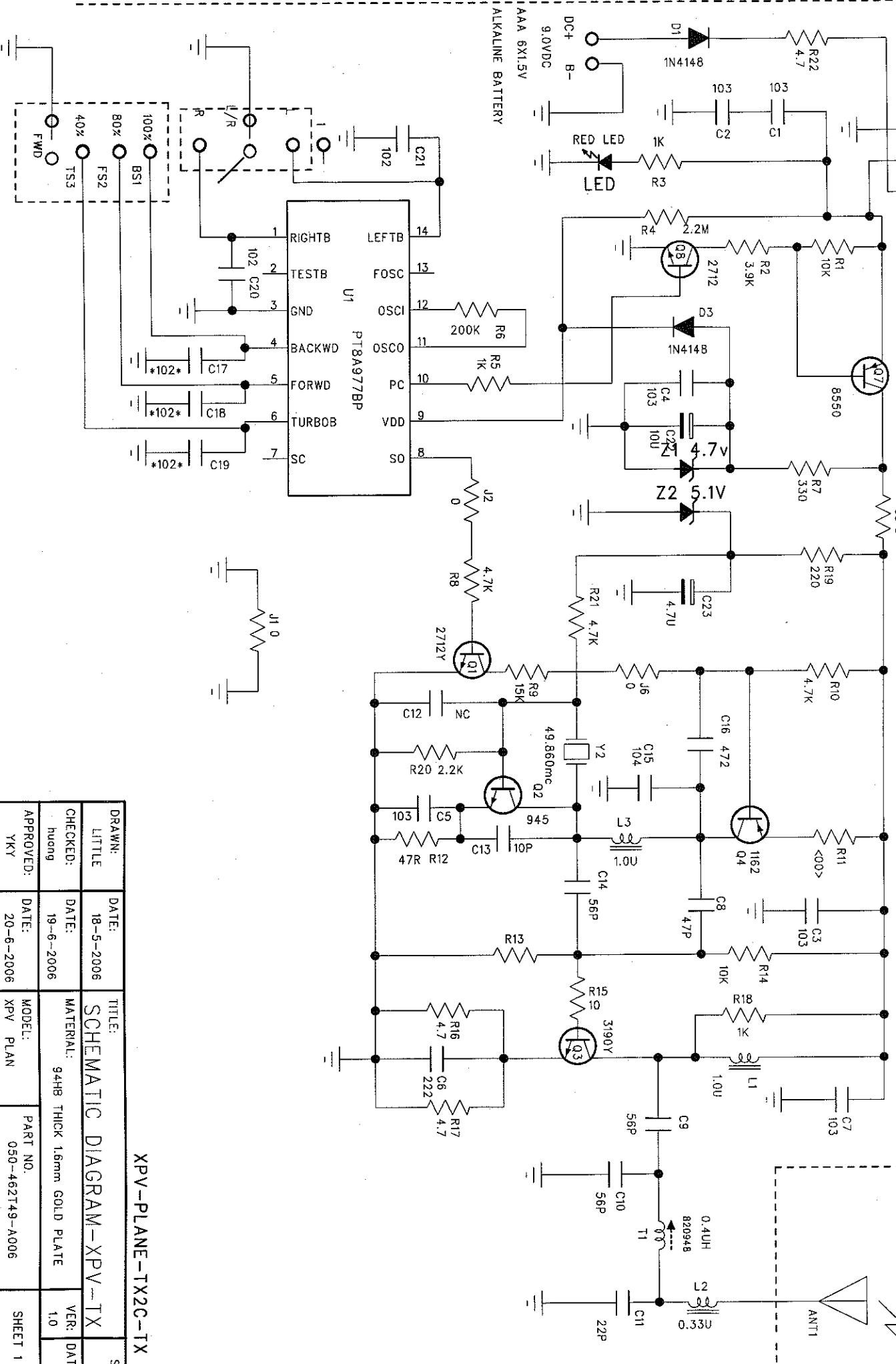


SS-12F20-G13

TX VERSION: 49.860MHZ



XPV-PLANE-TX2C-TX

DRAWN: LITTLE	DATE: 18-5-2006	TITLE: SCHEMATIC DIAGRAM-XPV-TX	SIZE: A4
CHECKED: huong	DATE: 19-6-2006	MATERIAL: 94H8 THICK 1.6mm GOLD PLATE	VER: DATE: 1.0
APPROVED: YKY	DATE: 20-6-2006	MODEL: XPV PLAN	PART NO. 050-462749-A006
			SHEET 1 OF 1

Dynamic industries co. ltd.