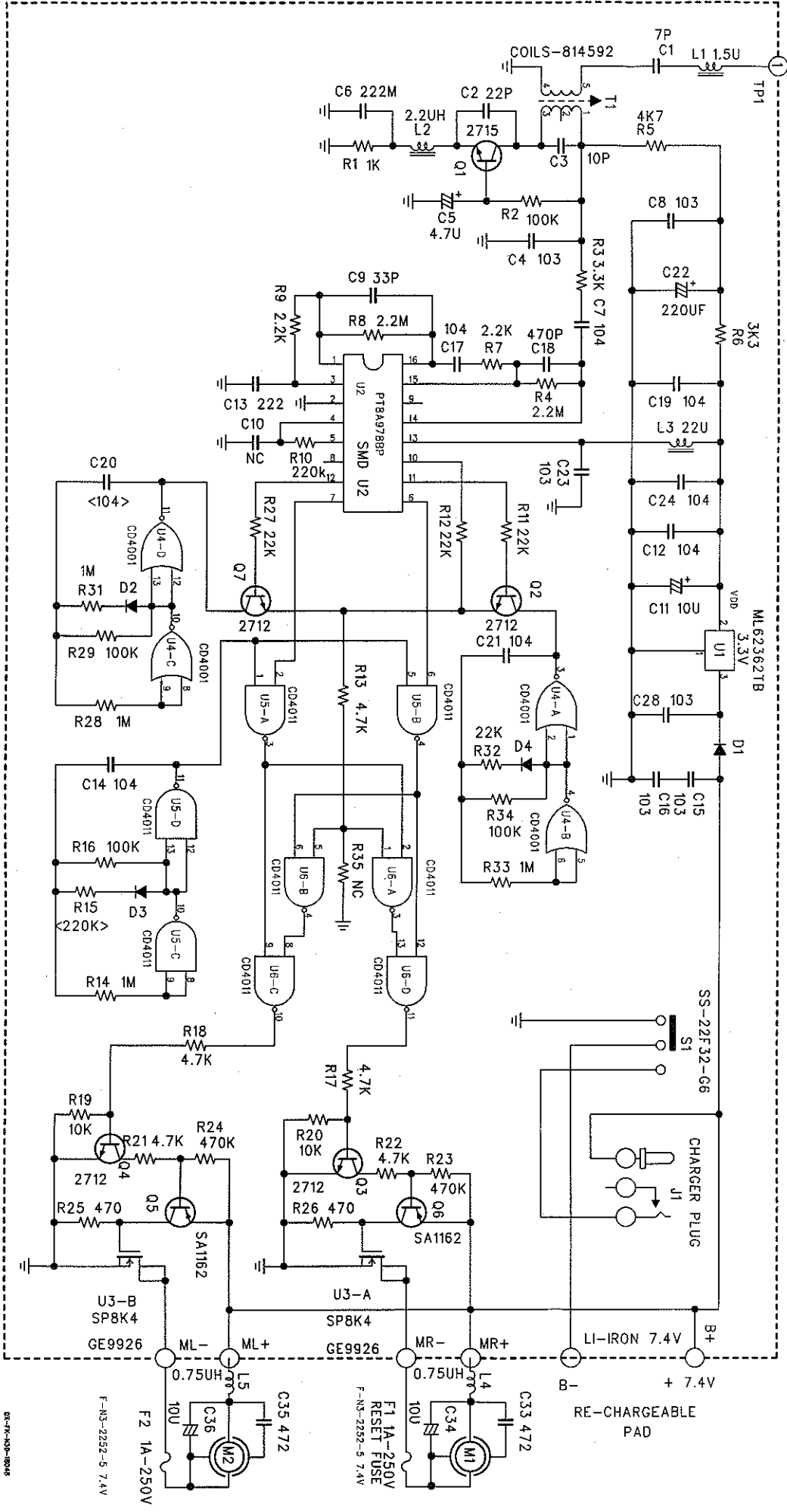


RX VERSION: 49.860MHZ



DR-74-43B-10045

DRAWN:		DATE:		SCHEMATIC DIAGRAM		CREATE DATE	
H Y S		2006.5.15					
CHECKED:		DATE:		MODEL CODE / NAME		VER. 1.0	
YKY		2006.5.16		XPV-PLANE RX			
APPROVED:		DATE:		PARTS CODE / NAME		ITEM NO	
BILLY		2006.5.17		050-462R4901-A007		0873635-01	SHEET 1 OF 1
DYNAMIC INDUSTRIES CO. LTD							