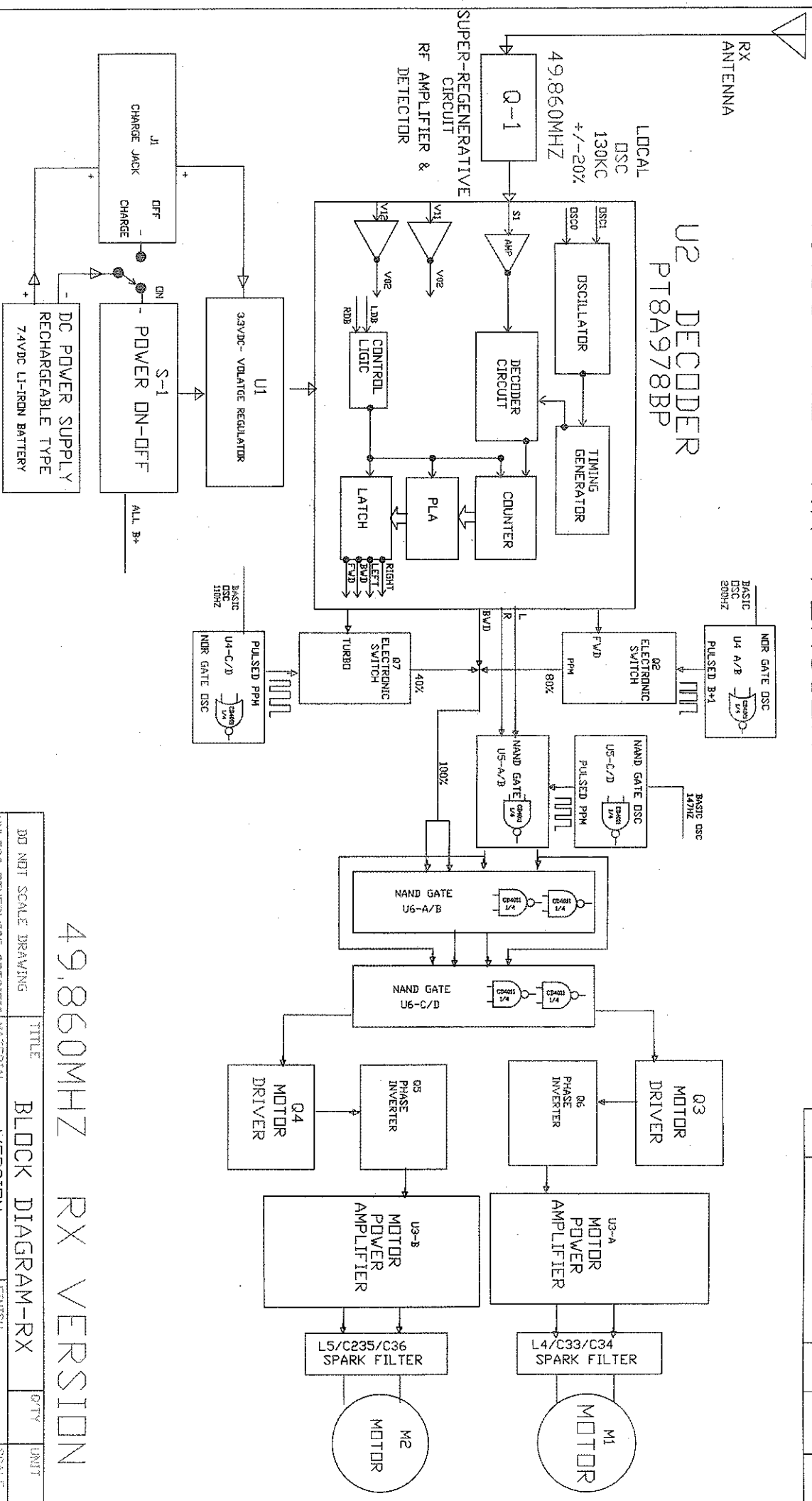


49,860MHZ RX VERSION

U2 DECODER PT8A978BP



49,860MHZ RX VERSION

BLOCK DIAGRAM-RX

BD NOT SCALE DRAWING	TITLE	QTY	UNIT
UNLESS OTHERWISE SPECIFIC	MATERIAL	VERSION--	FINISH
DEC 40.1 ANGLE 45°	49,860MHZ		
GENERAL DRAFT	MODEL	XPV AEROPLANE	PART NO. 421-462BR02-490
UNLESS OTHERWISE SPECIFIC	DRAWN	CHECKED	APPROVED
WALL THICKNESS	BLEE 19-5-2006		LEE 19-5-2006
			SIZE A4

DYNAMIC industries co. ltd.

ISSUE	CHANGE DETAIL	DATE	CHECKED	APP.