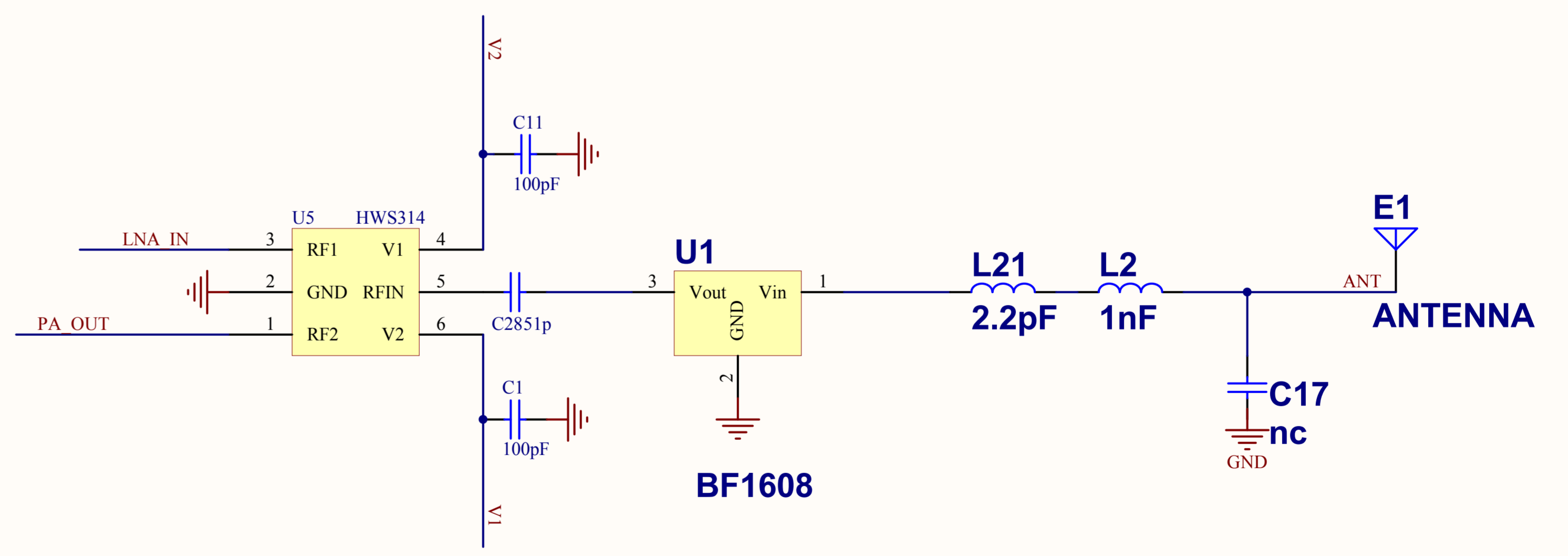
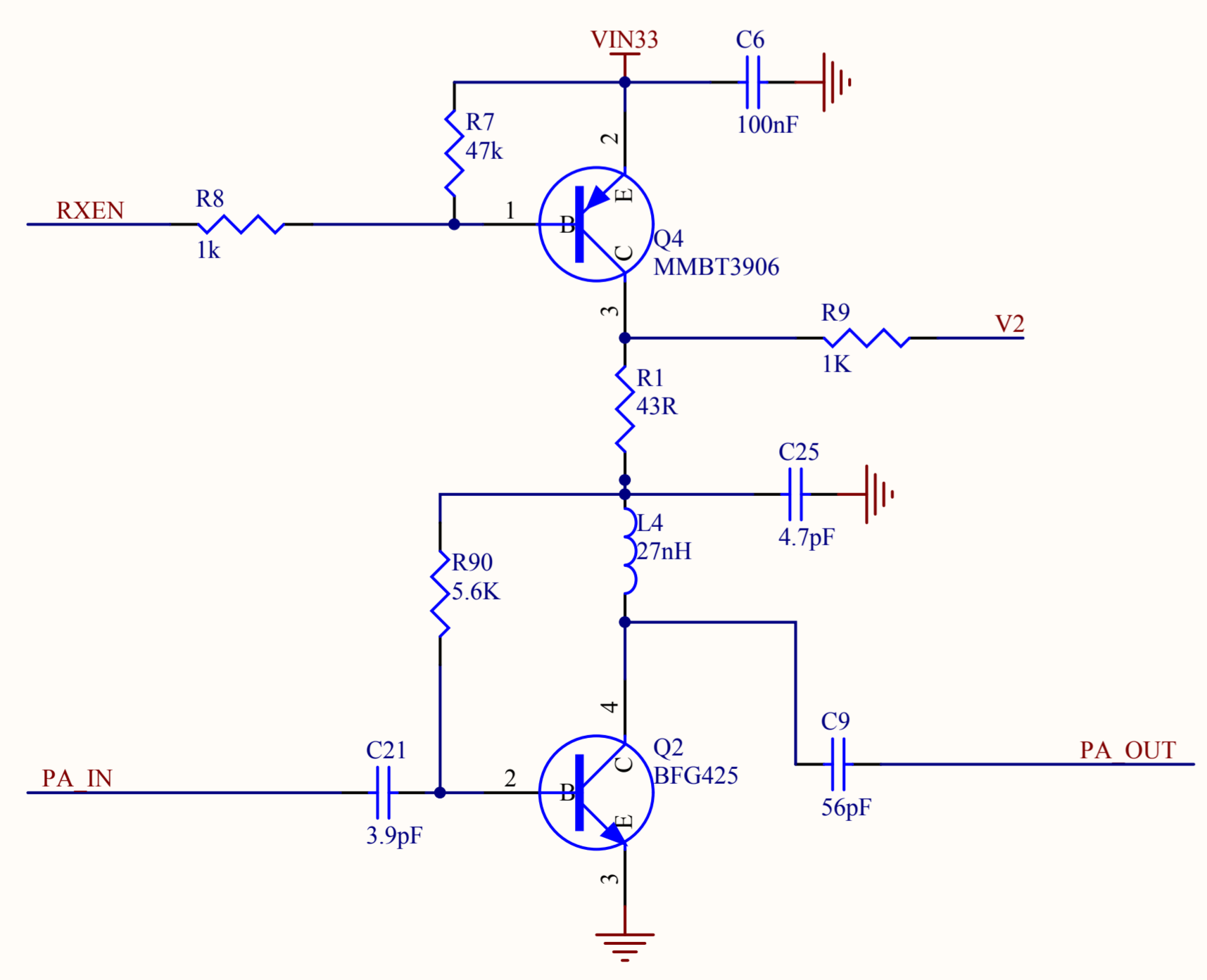
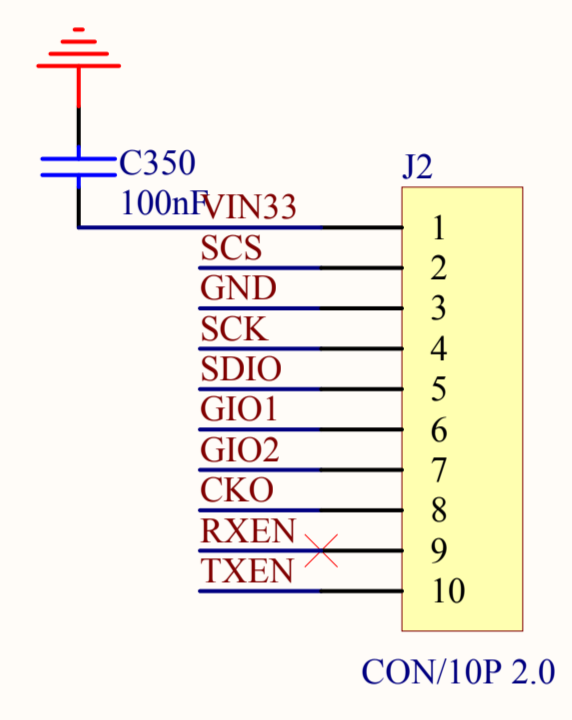
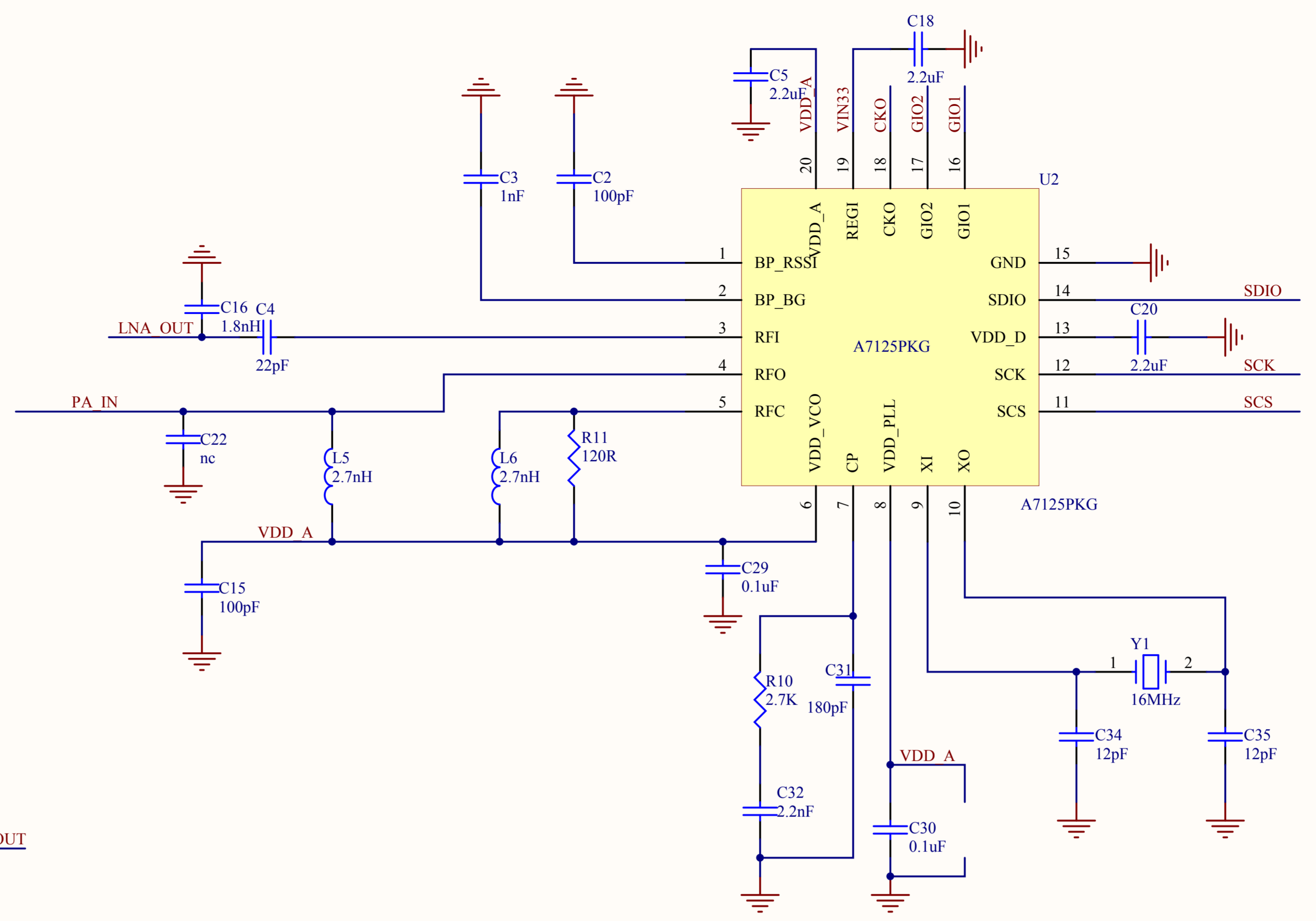
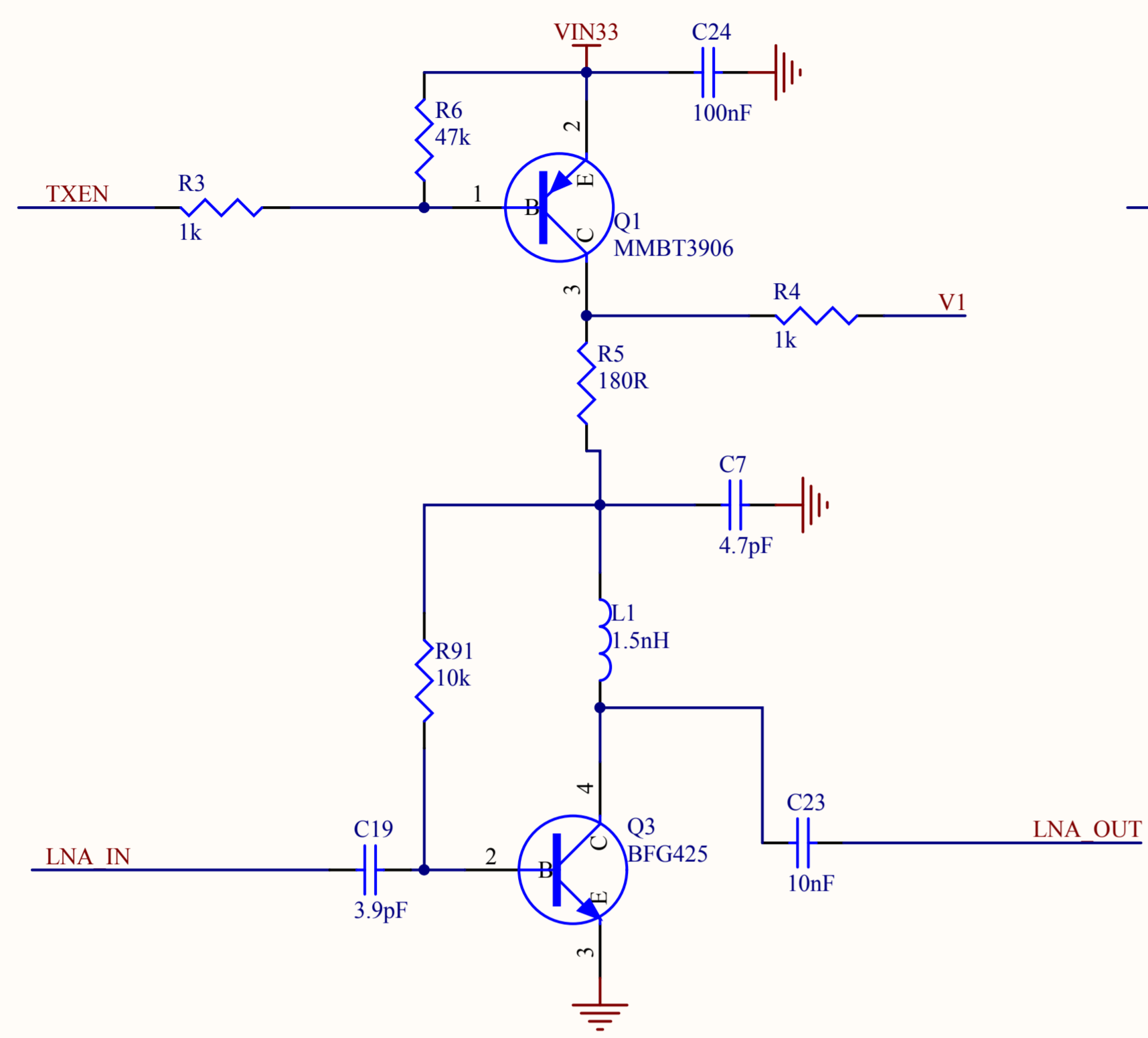


LUNG CHEONG

TITLE:	80078 RX-SCH	DESIGN BY:	DRAWING BY:	SHEET
FUNCTION:	80078 THROW BOT RC CAR		QW SHI	
DWG NO:	R590		2014-04-21	



Title		
Size	Number	Revision
A3		
Date:	2014-5-13	Sheet of
File:	E:\V7125-10DBM\v3\7125-10.SCHD	Drawn By: