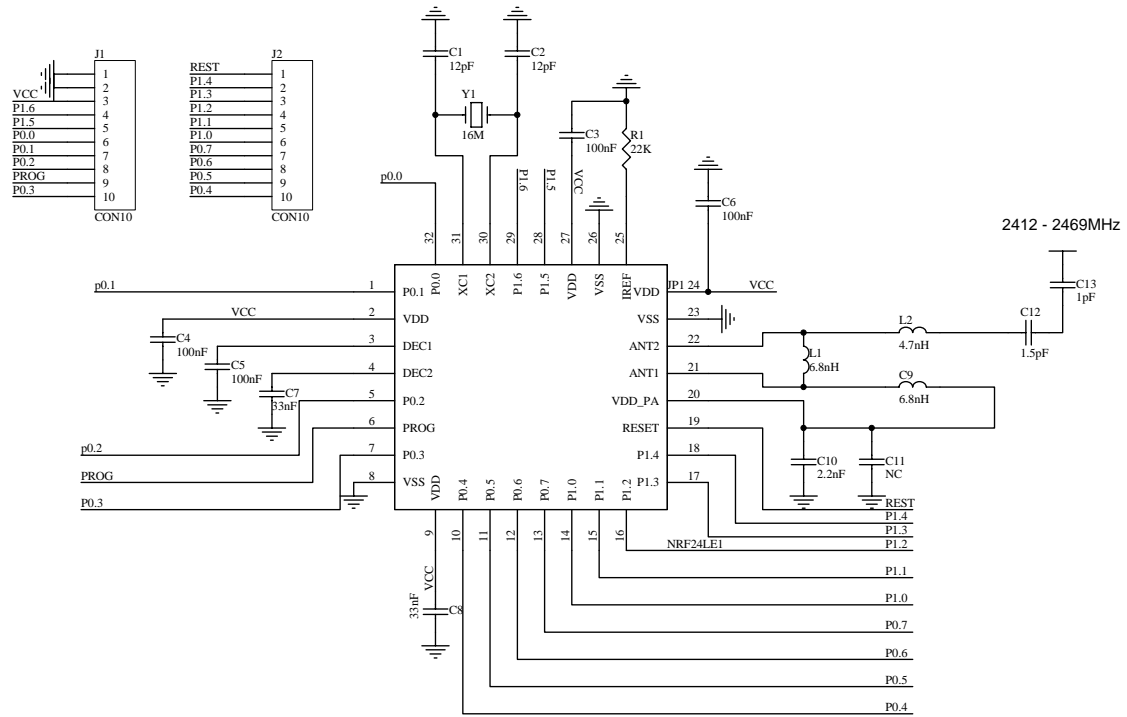


LUNG CHEONG

TITLE:	Q240 RX	DESIGN BY:	LICHUNQIU	DRAWING BY:	LI	APPROVED BY:		SHEET:	1 of 1
FUNCTION:									
DWG NO:			JUN-12-2012		JUN-12-2012				

2.4GHz RF Circuit

2.4GHz RF Module Circuit (CWRFE1R)



Title		
Size	Number	Revision
B		
Date:	26-Jul-2012	Sheet of
File:	E:\公司资料\coolwave_product\硬件资料\2012\06\12\01\PCB\xe1201-demo.dtb	