



FCC Processing Gain report of:

Description: 2.4 GHz WLAN Access point

Brand name: Intersil

Model numbers: ISL36356A -SB

FCC ID: OSZ36356A2

for

-channel 1 at 11 Mbps

-channel 6 at 1, 2, 5.5 and 11 Mbps

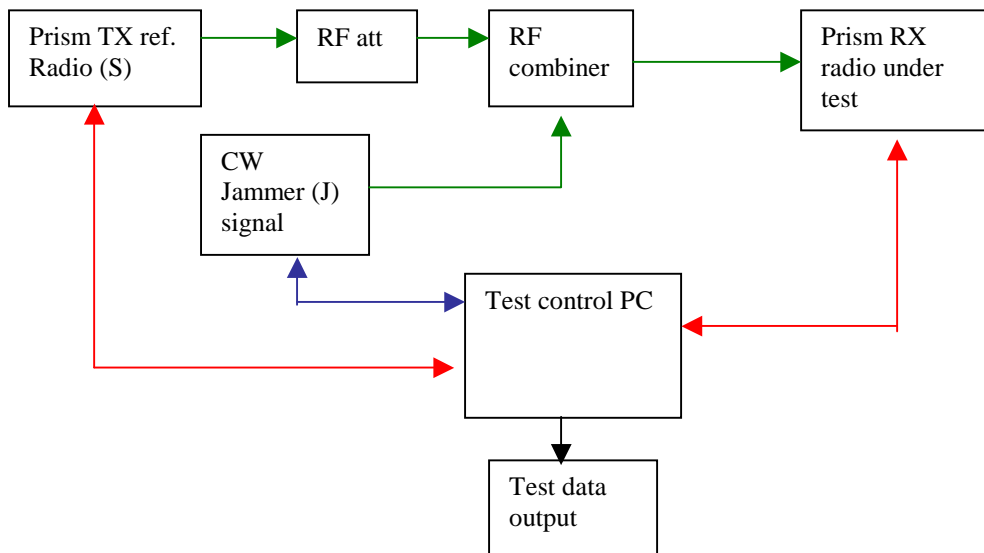
-channel 11 at 11 Mbps

Table of contents

Test Configuration: CW Jamming Margin (15.247) (e)	3
Test Procedure	3
Processing Gain test data	4
Test data for Channel 1 at 11 Mbps	4
Test data for Channel 6 at 1 Mbps	9
Test data for Channel 6 at 2 Mbps	14
Test data for Channel 6 at 5.5 Mbps	19
Test data for Channel 6 at 11 Mbps	24
Test data for Channel 11 at 11 Mbps	29

Test Configuration: CW Jamming Margin (15.247) (e)

Basic Test Block Diagram



Blue = GP IB control interface
Red = Ethernet UTP cable
Green = RF path

Test Procedure

The processing gain is measured using the CW jamming margin method. A signal generator producing a CW Jammer signal (J) is stepped in 50 kHz increments across the 10 MHz pass band of the system. At each point the CW Jammer Signal generator level required to produce a Bit Error Rate equivalent to $BER = 10E-5$ is recorded as the Jammer level (J). The output power of the PRISM ref. transmitter is fixed at -62.0 dBm (which is about 20.0 dB above RX sensitivity threshold) and referred to as Signal (S). The Jammer to Signal ratio (J/S) is then calculated and recorded with 20% of the worst data points discarded. The lowest remaining (J/S) ratio is referred to as M_j and is used to calculate the processing gain (PG) using the following formula:

$$PG = (S/N)_o + M_j + L_{sys}$$

With:

$L_{sys} = 2.0$ dB and

$(S/N)_o$ as derived from data sheet of DSSS chipset.

Processing Gain test data

Test data for Channel 1 at 11 Mbps

Device under test	ISL36356A WLAN Access point
Base Band Processor	ISL3863
RF Channel	01 (2412 MHz)
Bitrate	11 Mbps
Signal (S) level	-62.0 dBm
(S/N) _o from ISL3863 Data sheet	17.0 dB
L _{sys}	2.0 dB
M _j = (after discarding 20% worst ones)	-7.0 dB
PG = M _j + (S/N) _o + L _{sys}	-7.0 + 17.0 + 2 = 12.0 dB
FCC Limit	> 10 dB

Freq (Hz)	PG (dB)	J (dBm)
2407000	14.5	-66.5
2407050	14.6	-66.4
2407100	14.7	-66.3
2407150	14.3	-66.7
2407200	14.2	-66.8
2407250	14.1	-66.9
2407300	14	-67
2407350	14.1	-66.9
2407400	13.9	-67.1
2407450	14.2	-66.8
2407500	13.8	-67.2
2407550	13.7	-67.3
2407600	13.6	-67.4
2407650	13.8	-67.2
2407700	13.8	-67.2
2407750	13.8	-67.2
2407800	13.5	-67.5
2407850	13.5	-67.5
2407900	13.2	-67.8
2407950	13.1	-67.9
2408000	13.1	-67.9
2408050	13	-68
2408100	13.2	-67.8
2408150	13.4	-67.6
2408200	13.5	-67.5
2408250	13	-68
2408300	13	-68
2408350	13.2	-67.8
2408400	13.1	-67.9
2408450	13.2	-67.8

Freq (Hz)	PG (dB)	J (dBm)
2408500	12.5	-68.5
2408550	12.8	-68.2
2408600	12.4	-68.6
2408650	12.3	-68.7
2408700	12.2	-68.8
2408750	11.7	-69.3
2408800	11.8	-69.2
2408850	12.6	-68.4
2408900	12	-69
2408950	12.4	-68.6
2409000	12.4	-68.6
2409050	11.9	-69.1
2409100	12	-69
2409150	12.3	-68.7
2409200	12.1	-68.9
2409250	11.9	-69.1
2409300	12.1	-68.9
2409350	12	-69
2409400	11.9	-69.1
2409450	11.4	-69.6
2409500	10.7	-70.3
2409550	11	-70
2409600	11.8	-69.2
2409650	11.8	-69.2
2409700	11.7	-69.3
2409750	11.6	-69.4
2409800	10.9	-70.1
2409850	11	-70
2409900	12.3	-68.7
2409950	10.6	-70.4
2410000	10.7	-70.3
2410050	11.2	-69.8
2410100	11.1	-69.9
2410150	11.5	-69.5
2410200	11.7	-69.3
2410250	12.2	-68.8
2410300	11.9	-69.1
2410350	12	-69
2410400	11.5	-69.5
2410450	11.5	-69.5
2410500	11.6	-69.4
2410550	11.5	-69.5
2410600	11.6	-69.4
2410650	12	-69
2410700	12.1	-68.9
2410750	12.3	-68.7
2410800	12.2	-68.8
2410850	12.3	-68.7
2410900	12.3	-68.7

Freq (Hz)	PG (dB)	J (dBm)
2410950	12.6	-68.4
2411000	12.5	-68.5
2411050	12.3	-68.7
2411100	12.8	-68.2
2411150	12.9	-68.1
2411200	13	-68
2411250	12.9	-68.1
2411300	12.9	-68.1
2411350	12	-69
2411400	12.6	-68.4
2411450	13.1	-67.9
2411500	13.1	-67.9
2411550	12.8	-68.2
2411600	13	-68
2411650	13.2	-67.8
2411700	13.2	-67.8
2411750	12.9	-68.1
2411800	13.4	-67.6
2411850	13.3	-67.7
2411900	13.1	-67.9
2411950	13.3	-67.7
2412000	13.7	-67.3
2412050	13.6	-67.4
2412100	13.7	-67.3
2412150	14.1	-66.9
2412200	13.7	-67.3
2412250	13.7	-67.3
2412300	13.5	-67.5
2412350	14	-67
2412400	13.4	-67.6
2412450	13.7	-67.3
2412500	13.5	-67.5
2412550	13.1	-67.9
2412600	12.7	-68.3
2412650	12.6	-68.4
2412700	12.7	-68.3
2412750	12.7	-68.3
2412800	13.1	-67.9
2412850	12.7	-68.3
2412900	12.4	-68.6
2412950	13.5	-67.5
2413000	13.3	-67.7
2413050	13.3	-67.7
2413100	12.9	-68.1
2413150	12.7	-68.3
2413200	13	-68
2413250	12.4	-68.6
2413300	12.3	-68.7
2413350	12.1	-68.9

Freq (Hz)	PG (dB)	J (dBm)
2413400	11.9	-69.1
2413450	11.7	-69.3
2413500	12	-69
2413550	12.1	-68.9
2413600	12.6	-68.4
2413650	12.6	-68.4
2413700	11.4	-69.6
2413750	12.4	-68.6
2413800	12.7	-68.3
2413850	12.4	-68.6
2413900	12.6	-68.4
2413950	12.5	-68.5
2414000	12.3	-68.7
2414050	12.4	-68.6
2414100	12.4	-68.6
2414150	12.5	-68.5
2414200	12.4	-68.6
2414250	12.2	-68.8
2414300	12	-69
2414350	12.3	-68.7
2414400	12.2	-68.8
2414450	11.9	-69.1
2414500	11.8	-69.2
2414550	11.8	-69.2
2414600	12.1	-68.9
2414650	12.6	-68.4
2414700	12.5	-68.5
2414750	12	-69
2414800	11.5	-69.5
2414850	11.5	-69.5
2414900	11.7	-69.3
2414950	12.1	-68.9
2415000	12	-69
2415050	12.1	-68.9
2415100	12.1	-68.9
2415150	12.4	-68.6
2415200	12.1	-68.9
2415250	12	-69
2415300	12.8	-68.2
2415350	12.7	-68.3
2415400	13.1	-67.9
2415450	12.7	-68.3
2415500	12.9	-68.1
2415550	12.4	-68.6
2415600	12.8	-68.2
2415650	13.2	-67.8
2415700	12.9	-68.1
2415750	13.2	-67.8
2415800	13.4	-67.6

Freq (Hz)	PG (dB)	J (dBm)
2415850	13.1	-67.9
2415900	12.9	-68.1
2415950	13	-68
2416000	13.3	-67.7
2416050	12.8	-68.2
2416100	13	-68
2416150	13.1	-67.9
2416200	13.3	-67.7
2416250	13.3	-67.7
2416300	13.4	-67.6
2416350	13.6	-67.4
2416400	13.4	-67.6
2416450	13.3	-67.7
2416500	13.2	-67.8
2416550	13.4	-67.6
2416600	13.3	-67.7
2416650	13.4	-67.6
2416700	13.3	-67.7
2416750	13.2	-67.8
2416800	13.3	-67.7
2416850	13.5	-67.5
2416900	13.2	-67.8
2416950	13.9	-67.1
2417000	14.1	-66.9

Test data for Channel 6 at 1 Mbps

Device under test	ISL36356A WLAN Access point
Base Band Processor	ISL3863
RF Channel	06 (2437 MHz)
Bitrate	1 Mbps
Signal (S) level	-62.0 dBm
(S/N) _o	10.3 dB
L _{sys}	2.0 dB
M _j = (after discarding 20% worst ones)	3.7 dB
PG = M _j + (S/N) _o + L _{sys}	3.7 + 10.3 + 2 = 16 dB
FCC Limit	> 10 dB

Freq (Hz)	PG (dB)	J (dBm)
2432000	16.7	-57.6
2432050	16.5	-57.8
2432100	16.3	-58
2432150	16	-58.3
2432200	16	-58.3
2432250	16.3	-58
2432300	16.2	-58.1
2432350	16.1	-58.2
2432400	16.2	-58.1
2432450	16.9	-57.4
2432500	17	-57.3
2432550	17.7	-56.6
2432600	17.7	-56.6
2432650	17.7	-56.6
2432700	17.5	-56.8
2432750	17.7	-56.6
2432800	17.2	-57.1
2432850	17.3	-57
2432900	17.3	-57
2432950	17.4	-56.9
2433000	16.9	-57.4
2433050	17.1	-57.2
2433100	17	-57.3
2433150	16.7	-57.6
2433200	16.8	-57.5
2433250	16.6	-57.7
2433300	16.5	-57.8
2433350	16.3	-58
2433400	16.2	-58.1
2433450	17.1	-57.2
2433500	16.3	-58

Freq (Hz)	PG (dB)	J (dBm)
2433550	17	-57.3
2433600	17.1	-57.2
2433650	17.1	-57.2
2433700	16.9	-57.4
2433750	17	-57.3
2433800	17	-57.3
2433850	16.9	-57.4
2433900	16.9	-57.4
2433950	16.7	-57.6
2434000	16.8	-57.5
2434050	16.8	-57.5
2434100	16.7	-57.6
2434150	16.5	-57.8
2434200	16.1	-58.2
2434250	16.1	-58.2
2434300	15.7	-58.6
2434350	15.8	-58.5
2434400	15.7	-58.6
2434450	16.3	-58
2434500	16	-58.3
2434550	16.1	-58.2
2434600	16.5	-57.8
2434650	16.8	-57.5
2434700	16.8	-57.5
2434750	17.1	-57.2
2434800	17.1	-57.2
2434850	17.1	-57.2
2434900	16.9	-57.4
2434950	16.9	-57.4
2435000	16.7	-57.6
2435050	16.6	-57.7
2435100	16.2	-58.1
2435150	16	-58.3
2435200	15.8	-58.5
2435250	15.9	-58.4
2435300	15.7	-58.6
2435350	15.7	-58.6
2435400	15.6	-58.7
2435450	16.2	-58.1
2435500	16.1	-58.2
2435550	16.5	-57.8
2435600	16.7	-57.6
2435650	16.7	-57.6
2435700	16.6	-57.7
2435750	17	-57.3
2435800	17	-57.3

Freq (Hz)	PG (dB)	J (dBm)
2435850	16.8	-57.5
2435900	16.7	-57.6
2435950	16.5	-57.8
2436000	16.3	-58
2436050	15.6	-58.7
2436100	15.6	-58.7
2436150	15.5	-58.8
2436200	15.4	-58.9
2436250	15.4	-58.9
2436300	15.2	-59.1
2436350	15.4	-58.9
2436400	14.9	-59.4
2436450	16.1	-58.2
2436500	16.2	-58.1
2436550	16.4	-57.9
2436600	17.5	-56.8
2436650	18.4	-55.9
2436700	18.5	-55.8
2436750	19.9	-54.4
2436800	21	-53.3
2436850	22.3	-52
2436900	23.8	-50.5
2436950	26	-48.3
2437000	26.1	-48.2
2437050	24.9	-49.4
2437100	22.9	-51.4
2437150	21.8	-52.5
2437200	20.7	-53.6
2437250	19.5	-54.8
2437300	18.5	-55.8
2437350	18.5	-55.8
2437400	16.8	-57.5
2437450	16.5	-57.8
2437500	15.6	-58.7
2437550	15.2	-59.1
2437600	15.2	-59.1
2437650	15.2	-59.1
2437700	15	-59.3
2437750	15.4	-58.9
2437800	15.6	-58.7
2437850	15.5	-58.8
2437900	15.5	-58.8
2437950	16	-58.3
2438000	16	-58.3
2438050	16.6	-57.7
2438100	16.9	-57.4

Freq (Hz)	PG (dB)	J (dBm)
2438150	17	-57.3
2438200	16.7	-57.6
2438250	16.7	-57.6
2438300	16.6	-57.7
2438350	16.6	-57.7
2438400	16.2	-58.1
2438450	16.2	-58.1
2438500	15.8	-58.5
2438550	15.7	-58.6
2438600	15.6	-58.7
2438650	15.9	-58.4
2438700	15.7	-58.6
2438750	15.9	-58.4
2438800	16.1	-58.2
2438850	16.2	-58.1
2438900	16.2	-58.1
2438950	16.2	-58.1
2439000	16.2	-58.1
2439050	16.3	-58
2439100	16.8	-57.5
2439150	16.4	-57.9
2439200	16.6	-57.7
2439250	16.4	-57.9
2439300	16.5	-57.8
2439350	16.5	-57.8
2439400	16.1	-58.2
2439450	16.3	-58
2439500	16.3	-58
2439550	16.4	-57.9
2439600	16	-58.3
2439650	16.1	-58.2
2439700	15.9	-58.4
2439750	16.1	-58.2
2439800	16.1	-58.2
2439850	16.3	-58
2439900	15.9	-58.4
2439950	16.3	-58
2440000	16.3	-58
2440050	16.7	-57.6
2440100	16.6	-57.7
2440150	16.6	-57.7
2440200	16.8	-57.5
2440250	16.7	-57.6
2440300	16.7	-57.6
2440350	16.6	-57.7
2440400	17	-57.3

Freq (Hz)	PG (dB)	J (dBm)
2440450	17.2	-57.1
2440500	16.8	-57.5
2440550	16.8	-57.5
2440600	16.2	-58.1
2440650	16.2	-58.1
2440700	16.1	-58.2
2440750	15.9	-58.4
2440800	16.2	-58.1
2440850	16.4	-57.9
2440900	16.5	-57.8
2440950	17.2	-57.1
2441000	17.2	-57.1
2441050	17.1	-57.2
2441100	17.3	-57
2441150	17.1	-57.2
2441200	17.5	-56.8
2441250	17.5	-56.8
2441300	17.3	-57
2441350	17.1	-57.2
2441400	17	-57.3
2441450	16.9	-57.4
2441500	16.9	-57.4
2441550	16.9	-57.4
2441600	16.7	-57.6
2441650	16.2	-58.1
2441700	15.8	-58.5
2441750	16	-58.3
2441800	15.9	-58.4
2441850	16.1	-58.2
2441900	16.4	-57.9
2441950	17	-57.3
2442000	17.4	-56.9

Test data for Channel 6 at 2 Mbps

Device under test	ISL36356A WLAN Access point
Base Band Processor	ISL3863
RF Channel	06 (2437 MHz)
Bitrate	2 Mbps
Signal (S) level	-62.0 dBm
(S/N) _o	13.3 dB
L _{sys}	2.0 dB
M _j = (after discarding 20% worst ones)	-0.7 dB
PG = M _j + (S/N) _o + L _{sys}	-0.7 + 13.3 + 2 = 14.6 dB
FCC Limit	> 10 dB

Freq (Hz)	PG (dB)	J (dBm)
2432000	17.9	-59.4
2432050	17.5	-59.8
2432100	17.9	-59.4
2432150	17.8	-59.5
2432200	17.5	-59.8
2432250	17.3	-60
2432300	17.1	-60.2
2432350	17.3	-60
2432400	17.2	-60.1
2432450	16.9	-60.4
2432500	16.8	-60.5
2432550	16.8	-60.5
2432600	17.4	-59.9
2432650	17.2	-60.1
2432700	17.9	-59.4
2432750	18.2	-59.1
2432800	17.3	-60
2432850	17.4	-59.9
2432900	17.8	-59.5
2432950	16.4	-60.9
2433000	16.5	-60.8
2433050	16.4	-60.9
2433100	16.3	-61
2433150	16.3	-61
2433200	15.9	-61.4
2433250	15.9	-61.4
2433300	16.5	-60.8
2433350	16.6	-60.7
2433400	16.1	-61.2
2433450	16	-61.3
2433500	15.8	-61.5
2433550	16.3	-61

Freq (Hz)	PG (dB)	J (dBm)
2433600	16.5	-60.8
2433650	16	-61.3
2433700	15.8	-61.5
2433750	15.8	-61.5
2433800	15.9	-61.4
2433850	16	-61.3
2433900	16.2	-61.1
2433950	15.6	-61.7
2434000	15.6	-61.7
2434050	15.6	-61.7
2434100	15.5	-61.8
2434150	15.5	-61.8
2434200	15.6	-61.7
2434250	15.5	-61.8
2434300	16.1	-61.2
2434350	15.4	-61.9
2434400	15.1	-62.2
2434450	14.7	-62.6
2434500	14.8	-62.5
2434550	14.6	-62.7
2434600	15.3	-62
2434650	14.7	-62.6
2434700	15.4	-61.9
2434750	15.4	-61.9
2434800	15.3	-62
2434850	15.3	-62
2434900	15.2	-62.1
2434950	14.7	-62.6
2435000	15.5	-61.8
2435050	15.1	-62.2
2435100	14.8	-62.5
2435150	14.5	-62.8
2435200	15	-62.3
2435250	14.5	-62.8
2435300	14.7	-62.6
2435350	14.2	-63.1
2435400	14.2	-63.1
2435450	14.3	-63
2435500	14.6	-62.7
2435550	14.5	-62.8
2435600	15.8	-61.5
2435650	14.8	-62.5
2435700	15	-62.3
2435750	15.2	-62.1
2435800	15	-62.3
2435850	15.4	-61.9

Freq (Hz)	PG (dB)	J (dBm)
2435900	15.1	-62.2
2435950	14.4	-62.9
2436000	15	-62.3
2436050	14.8	-62.5
2436100	14.1	-63.2
2436150	14.1	-63.2
2436200	14.1	-63.2
2436250	14.2	-63.1
2436300	14.5	-62.8
2436350	13.7	-63.6
2436400	14	-63.3
2436450	14.2	-63.1
2436500	14.6	-62.7
2436550	15.1	-62.2
2436600	16.3	-61
2436650	16	-61.3
2436700	17.3	-60
2436750	18.4	-58.9
2436800	20	-57.3
2436850	20.7	-56.6
2436900	23.4	-53.9
2436950	24.1	-53.2
2437000	25.1	-52.2
2437050	24.5	-52.8
2437100	22.8	-54.5
2437150	21.1	-56.2
2437200	19.8	-57.5
2437250	18.4	-58.9
2437300	17.4	-59.9
2437350	16.4	-60.9
2437400	15.8	-61.5
2437450	14.7	-62.6
2437500	14.4	-62.9
2437550	14.2	-63.1
2437600	14.2	-63.1
2437650	13.3	-64
2437700	13.6	-63.7
2437750	13.8	-63.5
2437800	13.7	-63.6
2437850	13.6	-63.7
2437900	14.2	-63.1
2437950	13.8	-63.5
2438000	15	-62.3
2438050	15	-62.3
2438100	14.9	-62.4
2438150	15.5	-61.8

Freq (Hz)	PG (dB)	J (dBm)
2438200	15.7	-61.6
2438250	15.5	-61.8
2438300	15.4	-61.9
2438350	15.1	-62.2
2438400	15	-62.3
2438450	14.2	-63.1
2438500	14.3	-63
2438550	14.2	-63.1
2438600	14.8	-62.5
2438650	13.6	-63.7
2438700	13.5	-63.8
2438750	14.2	-63.1
2438800	14.3	-63
2438850	14.7	-62.6
2438900	14.9	-62.4
2438950	14.2	-63.1
2439000	14.8	-62.5
2439050	14.8	-62.5
2439100	14.9	-62.4
2439150	15.6	-61.7
2439200	15.4	-61.9
2439250	15.2	-62.1
2439300	15.1	-62.2
2439350	14.7	-62.6
2439400	14.9	-62.4
2439450	14.8	-62.5
2439500	14.3	-63
2439550	14.7	-62.6
2439600	14.8	-62.5
2439650	14.6	-62.7
2439700	14.5	-62.8
2439750	14.7	-62.6
2439800	14.5	-62.8
2439850	14.4	-62.9
2439900	15.3	-62
2439950	14.8	-62.5
2440000	14.9	-62.4
2440050	15.3	-62
2440100	15.3	-62
2440150	15.7	-61.6
2440200	15.7	-61.6
2440250	16.1	-61.2
2440300	16.2	-61.1
2440350	16.1	-61.2
2440400	15.8	-61.5
2440450	15.6	-61.7

Freq (Hz)	PG (dB)	J (dBm)
2440500	15.7	-61.6
2440550	15.6	-61.7
2440600	15.5	-61.8
2440650	15.5	-61.8
2440700	15.3	-62
2440750	15.2	-62.1
2440800	15	-62.3
2440850	15.4	-61.9
2440900	15.8	-61.5
2440950	15.6	-61.7
2441000	15.9	-61.4
2441050	16.3	-61
2441100	17	-60.3
2441150	17	-60.3
2441200	17	-60.3
2441250	16.8	-60.5
2441300	17.2	-60.1
2441350	17.4	-59.9
2441400	17.2	-60.1
2441450	16.8	-60.5
2441500	16.7	-60.6
2441550	16.4	-60.9
2441600	16.5	-60.8
2441650	15.7	-61.6
2441700	15.5	-61.8
2441750	16.3	-61
2441800	16.2	-61.1
2441850	16.1	-61.2
2441900	16.6	-60.7
2441950	16.3	-61
2442000	17.3	-60

Test data for Channel 6 at 5.5 Mbps

Device under test	ISL36356A WLAN Access point
Base Band Processor	ISL3863
RF Channel	06 (2437 MHz)
Bitrate	5.5 Mbps
Signal (S) level	-62.0 dBm
(S/N) _o	13.7 dB
L _{sys}	2.0 dB
M _j = (after discarding 20% worst ones)	-2.7 dB
PG = M _j + (S/N) _o + L _{sys}	-2.7 + 13.7 + 2 = 13.0 dB
FCC Limit	> 10 dB

Freq (Hz)	PG (dB)	J (dBm)
2432000	15.6	-62.1
2432050	16	-61.7
2432100	16.4	-61.3
2432150	15.8	-61.9
2432200	15.4	-62.3
2432250	15.8	-61.9
2432300	15.6	-62.1
2432350	16.2	-61.5
2432400	17	-60.7
2432450	16.8	-60.9
2432500	16.6	-61.1
2432550	15.2	-62.5
2432600	15.4	-62.3
2432650	14.7	-63
2432700	14.3	-63.4
2432750	13.8	-63.9
2432800	13.5	-64.2
2432850	13.8	-63.9
2432900	14.3	-63.4
2432950	14.3	-63.4
2433000	13.5	-64.2
2433050	14.2	-63.5
2433100	14.1	-63.6
2433150	14.3	-63.4
2433200	14.2	-63.5
2433250	14	-63.7
2433300	14.8	-62.9
2433350	15.2	-62.5
2433400	15.2	-62.5
2433450	15.1	-62.6
2433500	15.6	-62.1
2433550	15.3	-62.4

2433600	15.2	-62.5
2433650	15	-62.7
2433700	13.4	-64.3
2433750	13.6	-64.1
2433800	13.5	-64.2
2433850	13.5	-64.2
2433900	14.3	-63.4
2433950	13.7	-64
2434000	13.3	-64.4
2434050	13.6	-64.1
2434100	13.7	-64
2434150	13.2	-64.5
2434200	13.3	-64.4
2434250	13.1	-64.6
2434300	13.2	-64.5
2434350	13	-64.7
2434400	13	-64.7
2434450	13.2	-64.5
2434500	13	-64.7
2434550	13	-64.7
2434600	13.4	-64.3
2434650	13.2	-64.5
2434700	13.4	-64.3
2434750	13.4	-64.3
2434800	13.2	-64.5
2434850	13.7	-64
2434900	14	-63.7
2434950	14.3	-63.4
2435000	14.3	-63.4
2435050	14.3	-63.4
2435100	14.2	-63.5
2435150	14.3	-63.4
2435200	14.2	-63.5
2435250	13.1	-64.6
2435300	13.3	-64.4
2435350	14.1	-63.6
2435400	14	-63.7
2435450	13.7	-64
2435500	13.2	-64.5
2435550	12.7	-65
2435600	12.5	-65.2
2435650	12.5	-65.2
2435700	13.1	-64.6
2435750	14.2	-63.5
2435800	13.5	-64.2
2435850	13.4	-64.3
2435900	13.8	-63.9

2435950	13.5	-64.2
2436000	14.1	-63.6
2436050	13.5	-64.2
2436100	13.5	-64.2
2436150	14.1	-63.6
2436200	13.4	-64.3
2436250	13	-64.7
2436300	12.7	-65
2436350	13	-64.7
2436400	12.8	-64.9
2436450	13.1	-64.6
2436500	12.9	-64.8
2436550	12.8	-64.9
2436600	12.8	-64.9
2436650	13.1	-64.6
2436700	12.8	-64.9
2436750	12.9	-64.8
2436800	13.1	-64.6
2436850	13	-64.7
2436900	13.7	-64
2436950	13.8	-63.9
2437000	13.4	-64.3
2437050	13.5	-64.2
2437100	13.4	-64.3
2437150	13.8	-63.9
2437200	13	-64.7
2437250	13.2	-64.5
2437300	12.8	-64.9
2437350	13	-64.7
2437400	12.6	-65.1
2437450	12.7	-65
2437500	12.8	-64.9
2437550	12.7	-65
2437600	12.6	-65.1
2437650	12.5	-65.2
2437700	12.6	-65.1
2437750	12.5	-65.2
2437800	13.3	-64.4
2437850	13.7	-64
2437900	13.8	-63.9
2437950	13.8	-63.9
2438000	13.7	-64
2438050	14.2	-63.5
2438100	14.1	-63.6
2438150	13.6	-64.1
2438200	13.4	-64.3
2438250	13.2	-64.5

2438300	13.3	-64.4
2438350	13.1	-64.6
2438400	12.8	-64.9
2438450	12.4	-65.3
2438500	12.5	-65.2
2438550	13.1	-64.6
2438600	13.2	-64.5
2438650	14	-63.7
2438700	13.8	-63.9
2438750	13.9	-63.8
2438800	13.3	-64.4
2438850	14.3	-63.4
2438900	14.5	-63.2
2438950	14.5	-63.2
2439000	14.1	-63.6
2439050	14	-63.7
2439100	14.1	-63.6
2439150	14	-63.7
2439200	13.7	-64
2439250	13.4	-64.3
2439300	13.2	-64.5
2439350	13.8	-63.9
2439400	13.1	-64.6
2439450	13	-64.7
2439500	13.2	-64.5
2439550	13.5	-64.2
2439600	13.4	-64.3
2439650	13	-64.7
2439700	13	-64.7
2439750	12.8	-64.9
2439800	12.8	-64.9
2439850	12.6	-65.1
2439900	12.8	-64.9
2439950	12.7	-65
2440000	12.6	-65.1
2440050	13	-64.7
2440100	13.1	-64.6
2440150	13	-64.7
2440200	13.5	-64.2
2440250	13.7	-64
2440300	13.6	-64.1
2440350	14.1	-63.6
2440400	15.3	-62.4
2440450	15.4	-62.3
2440500	15.4	-62.3
2440550	15.2	-62.5
2440600	14.9	-62.8

2440650	14.3	-63.4
2440700	14.2	-63.5
2440750	14.1	-63.6
2440800	13.8	-63.9
2440850	13.7	-64
2440900	14	-63.7
2440950	13.6	-64.1
2441000	13.4	-64.3
2441050	13.8	-63.9
2441100	14.3	-63.4
2441150	14.1	-63.6
2441200	14.2	-63.5
2441250	14	-63.7
2441300	14.2	-63.5
2441350	14.7	-63
2441400	15.3	-62.4
2441450	15.2	-62.5
2441500	15.7	-62
2441550	16	-61.7
2441600	15.9	-61.8
2441650	15.6	-62.1
2441700	15.5	-62.2
2441750	15.8	-61.9
2441800	15.7	-62
2441850	16	-61.7
2441900	15.7	-62
2441950	15.8	-61.9
2442000	15.6	-62.1

Test data for Channel 6 at 11 Mbps

Device under test	ISL36356A WLAN Access point
Base Band Processor	ISL3863
RF Channel	06 (2437 MHz)
Bitrate	11 Mbps
Signal (S) level	-62.0 dBm
(S/N) _o	17.0 dB
L _{sys}	2.0 dB
M _j = (after discarding 20% worst ones)	-7.1 dB
PG = M _j + (S/N) _o + L _{sys}	-7.1 + 17.0 + 2 = 11.9 dB
FCC Limit	> 10 dB

Freq (Hz)	PG (dB)	J (dBm)
2432000	15.5	-65.5
2432050	14.7	-66.3
2432100	14.4	-66.6
2432150	14.1	-66.9
2432200	14.7	-66.3
2432250	13.9	-67.1
2432300	14.5	-66.5
2432350	14.3	-66.7
2432400	14.3	-66.7
2432450	14.4	-66.6
2432500	14.1	-66.9
2432550	14.3	-66.7
2432600	14.5	-66.5
2432650	14.4	-66.6
2432700	13.9	-67.1
2432750	13.8	-67.2
2432800	13.7	-67.3
2432850	13.6	-67.4
2432900	13.5	-67.5
2432950	13.4	-67.6
2433000	13.2	-67.8
2433050	13.4	-67.6
2433100	13.3	-67.7
2433150	13.4	-67.6
2433200	12.9	-68.1
2433250	12.7	-68.3
2433300	13	-68
2433350	13.1	-67.9
2433400	12.7	-68.3
2433450	12.2	-68.8
2433500	12.1	-68.9
2433550	12.3	-68.7
2433600	12.4	-68.6
2433650	12	-69

2433700	12.6	-68.4
2433750	11.4	-69.6
2433800	12.3	-68.7
2433850	12.4	-68.6
2433900	12.1	-68.9
2433950	12.1	-68.9
2434000	12	-69
2434050	11.9	-69.1
2434100	12	-69
2434150	11.9	-69.1
2434200	11.9	-69.1
2434250	11.3	-69.7
2434300	11.5	-69.5
2434350	11.8	-69.2
2434400	11.8	-69.2
2434450	11.4	-69.6
2434500	10.6	-70.4
2434550	10.9	-70.1
2434600	11.7	-69.3
2434650	11.7	-69.3
2434700	10.8	-70.2
2434750	10.9	-70.1
2434800	11.1	-69.9
2434850	11.9	-69.1
2434900	12.4	-68.6
2434950	11.3	-69.7
2435000	11.3	-69.7
2435050	11.2	-69.8
2435100	11.3	-69.7
2435150	11.7	-69.3
2435200	11.8	-69.2
2435250	11.9	-69.1
2435300	11.6	-69.4
2435350	11.7	-69.3
2435400	11.3	-69.7
2435450	11.2	-69.8
2435500	10.7	-70.3
2435550	11.6	-69.4
2435600	11.9	-69.1
2435650	11.9	-69.1
2435700	11.8	-69.2
2435750	12	-69
2435800	12.5	-68.5
2435850	12.9	-68.1
2435900	12.6	-68.4
2435950	12.5	-68.5
2436000	12.5	-68.5
2436050	12.6	-68.4
2436100	12.5	-68.5
2436150	12.4	-68.6

2436200	13.1	-67.9
2436250	13.2	-67.8
2436300	13.1	-67.9
2436350	12.7	-68.3
2436400	12.9	-68.1
2436450	13.1	-67.9
2436500	13	-68
2436550	12.6	-68.4
2436600	12.5	-68.5
2436650	12.7	-68.3
2436700	13.2	-67.8
2436750	13.2	-67.8
2436800	13.1	-67.9
2436850	13.2	-67.8
2436900	13.3	-67.7
2436950	13.6	-67.4
2437000	13.7	-67.3
2437050	13.7	-67.3
2437100	13.5	-67.5
2437150	12.9	-68.1
2437200	13.4	-67.6
2437250	13.3	-67.7
2437300	13.2	-67.8
2437350	13.2	-67.8
2437400	12.7	-68.3
2437450	13.5	-67.5
2437500	13.2	-67.8
2437550	13.3	-67.7
2437600	12.8	-68.2
2437650	13.2	-67.8
2437700	12.9	-68.1
2437750	12.9	-68.1
2437800	13	-68
2437850	12.8	-68.2
2437900	12	-69
2437950	12.6	-68.4
2438000	12.5	-68.5
2438050	12.6	-68.4
2438100	12.9	-68.1
2438150	12.6	-68.4
2438200	12.5	-68.5
2438250	12	-69
2438300	12.4	-68.6
2438350	11	-70
2438400	11.2	-69.8
2438450	11	-70
2438500	11.9	-69.1
2438550	12.1	-68.9
2438600	12.6	-68.4
2438650	12.4	-68.6

2438700	11.9	-69.1
2438750	12.3	-68.7
2438800	12.6	-68.4
2438850	12.3	-68.7
2438900	12.4	-68.6
2438950	12.1	-68.9
2439000	11.8	-69.2
2439050	12	-69
2439100	12.1	-68.9
2439150	12	-69
2439200	12	-69
2439250	12	-69
2439300	12.1	-68.9
2439350	12	-69
2439400	12.1	-68.9
2439450	11	-70
2439500	11.6	-69.4
2439550	11.7	-69.3
2439600	11.8	-69.2
2439650	11.9	-69.1
2439700	11.5	-69.5
2439750	11.7	-69.3
2439800	11.3	-69.7
2439850	11.6	-69.4
2439900	11.4	-69.6
2439950	12	-69
2440000	12.1	-68.9
2440050	12.5	-68.5
2440100	12.5	-68.5
2440150	12.6	-68.4
2440200	11.7	-69.3
2440250	11.9	-69.1
2440300	12.1	-68.9
2440350	12.1	-68.9
2440400	12.4	-68.6
2440450	12.1	-68.9
2440500	12.1	-68.9
2440550	12.2	-68.8
2440600	12.9	-68.1
2440650	12.8	-68.2
2440700	13	-68
2440750	12.6	-68.4
2440800	13.1	-67.9
2440850	13	-68
2440900	13.3	-67.7
2440950	13	-68
2441000	13.1	-67.9
2441050	13.1	-67.9
2441100	12.9	-68.1
2441150	13.2	-67.8

2441200	13.1	-67.9
2441250	13.1	-67.9
2441300	13.3	-67.7
2441350	14	-67

Test data for Channel 11 at 11 Mbps

Device under test	ISL36356A WLAN Access point
Base Band Processor	ISL3863
RF Channel	11 (2462 MHz)
Bitrate	11 Mbps
Signal (S) level	-62.0 dBm
(S/N) _o	17.0 dB
L _{sys}	2.0 dB
M _j = (after discarding 20% worst ones)	-7.8 dB
PG = M _j + (S/N) _o + L _{sys}	-7.8 + 17.0 + 2 = 11.2 dB
FCC Limit	> 10 dB

Freq (Hz)	PG (dB)	J (dBm)
2457000	14.4	-66.6
2457050	13.7	-67.3
2457100	14.1	-66.9
2457150	14.2	-66.8
2457200	13.7	-67.3
2457250	13.2	-67.8
2457300	13.1	-67.9
2457350	14.1	-66.9
2457400	13.7	-67.3
2457450	13.5	-67.5
2457500	13.6	-67.4
2457550	13.7	-67.3
2457600	13.5	-67.5
2457650	13.5	-67.5
2457700	13.5	-67.5
2457750	13.2	-67.8
2457800	12.9	-68.1
2457850	12.8	-68.2
2457900	12.4	-68.6
2457950	12.5	-68.5
2458000	11.9	-69.1
2458050	11.9	-69.1
2458100	12.4	-68.6
2458150	12.9	-68.1
2458200	13	-68
2458250	12.6	-68.4
2458300	12.2	-68.8
2458350	12.1	-68.9
2458400	12.3	-68.7
2458450	12	-69
2458500	12.1	-68.9
2458550	12.3	-68.7
2458600	12.3	-68.7
2458650	11.4	-69.6

Freq (Hz)	PG (dB)	J (dBm)
2458700	11.3	-69.7
2458750	11.1	-69.9
2458800	11.2	-69.8
2458850	11.6	-69.4
2458900	11.7	-69.3
2458950	11.5	-69.5
2459000	11.1	-69.9
2459050	11.1	-69.9
2459100	11.1	-69.9
2459150	11.3	-69.7
2459200	11.3	-69.7
2459250	10.9	-70.1
2459300	10.7	-70.3
2459350	11.3	-69.7
2459400	10.8	-70.2
2459450	10.4	-70.6
2459500	9.8	-71.2
2459550	9.9	-71.1
2459600	11.1	-69.9
2459650	11	-70
2459700	10.8	-70.2
2459750	10.5	-70.5
2459800	10.5	-70.5
2459850	11.3	-69.7
2459900	11.4	-69.6
2459950	11.3	-69.7
2460000	11.1	-69.9
2460050	11.1	-69.9
2460100	11	-70
2460150	11	-70
2460200	11	-70
2460250	11.4	-69.6
2460300	11.4	-69.6
2460350	11.3	-69.7
2460400	11.4	-69.6
2460450	11.1	-69.9
2460500	11.5	-69.5
2460550	11.6	-69.4
2460600	11.4	-69.6
2460650	11.6	-69.4
2460700	11.2	-69.8
2460750	11.9	-69.1
2460800	12	-69
2460850	12.1	-68.9
2460900	12	-69
2460950	12	-69
2461000	11.9	-69.1
2461050	12	-69
2461100	11.9	-69.1

Freq (Hz)	PG (dB)	J (dBm)
2461150	12	-69
2461200	12.3	-68.7
2461250	12.2	-68.8
2461300	11.8	-69.2
2461350	11.9	-69.1
2461400	12.3	-68.7
2461450	12.4	-68.6
2461500	12.3	-68.7
2461550	12.5	-68.5
2461600	12	-69
2461650	12.1	-68.9
2461700	12	-69
2461750	11.6	-69.4
2461800	12.1	-68.9
2461850	12.4	-68.6
2461900	12.1	-68.9
2461950	12.7	-68.3
2462000	13.1	-67.9
2462050	13	-68
2462100	12.2	-68.8
2462150	12.8	-68.2
2462200	13	-68
2462250	12.5	-68.5
2462300	12.4	-68.6
2462350	12.3	-68.7
2462400	12.3	-68.7
2462450	12.2	-68.8
2462500	12.5	-68.5
2462550	12.4	-68.6
2462600	11.8	-69.2
2462650	11.6	-69.4
2462700	11.6	-69.4
2462750	11.9	-69.1
2462800	12	-69
2462850	12	-69
2462900	11.9	-69.1
2462950	12.2	-68.8
2463000	11.7	-69.3
2463050	11.9	-69.1
2463100	12.2	-68.8
2463150	11.9	-69.1
2463200	11.7	-69.3
2463250	11.8	-69.2
2463300	11.7	-69.3
2463350	11.5	-69.5
2463400	11.7	-69.3
2463450	11.2	-69.8
2463500	11.2	-69.8
2463550	11.2	-69.8

Freq (Hz)	PG (dB)	J (dBm)
2463600	11.8	-69.2
2463650	11.6	-69.4
2463700	11.3	-69.7
2463750	11.5	-69.5
2463800	12.2	-68.8
2463850	11.7	-69.3
2463900	11.6	-69.4
2463950	11.5	-69.5
2464000	11.3	-69.7
2464050	11.5	-69.5
2464100	11.6	-69.4
2464150	11.5	-69.5
2464200	11.6	-69.4
2464250	11.4	-69.6
2464300	11.2	-69.8
2464350	11.5	-69.5
2464400	11	-70
2464450	10.5	-70.5
2464500	10.5	-70.5
2464550	10.4	-70.6
2464600	10.5	-70.5
2464650	11.6	-69.4
2464700	11.4	-69.6
2464750	11	-70
2464800	11	-70
2464850	10.7	-70.3
2464900	10.6	-70.4
2464950	10.8	-70.2
2465000	10.9	-70.1
2465050	11.3	-69.7
2465100	11.4	-69.6
2465150	11.3	-69.7
2465200	10.8	-70.2
2465250	11	-70
2465300	11.1	-69.9
2465350	11.4	-69.6
2465400	12	-69
2465450	11.9	-69.1
2465500	11.6	-69.4
2465550	11.5	-69.5
2465600	12	-69
2465650	12.3	-68.7
2465700	12.1	-68.9
2465750	12.3	-68.7
2465800	12.4	-68.6
2465850	12.4	-68.6
2465900	12	-69
2465950	12.1	-68.9
2466000	12.7	-68.3

Freq (Hz)	PG (dB)	J (dBm)
2466050	12.5	-68.5
2466100	12.9	-68.1
2466150	12.3	-68.7
2466200	12.4	-68.6
2466250	12.6	-68.4
2466300	12.6	-68.4
2466350	13.2	-67.8
2466400	13	-68
2466450	12.9	-68.1
2466500	12.4	-68.6
2466550	12.7	-68.3
2466600	13.3	-67.7
2466650	13	-68
2466700	12.9	-68.1
2466750	12.5	-68.5
2466800	12.9	-68.1
2466850	12.5	-68.5
2466900	12.5	-68.5
2466950	12.8	-68.2
2467000	12.9	-68.1