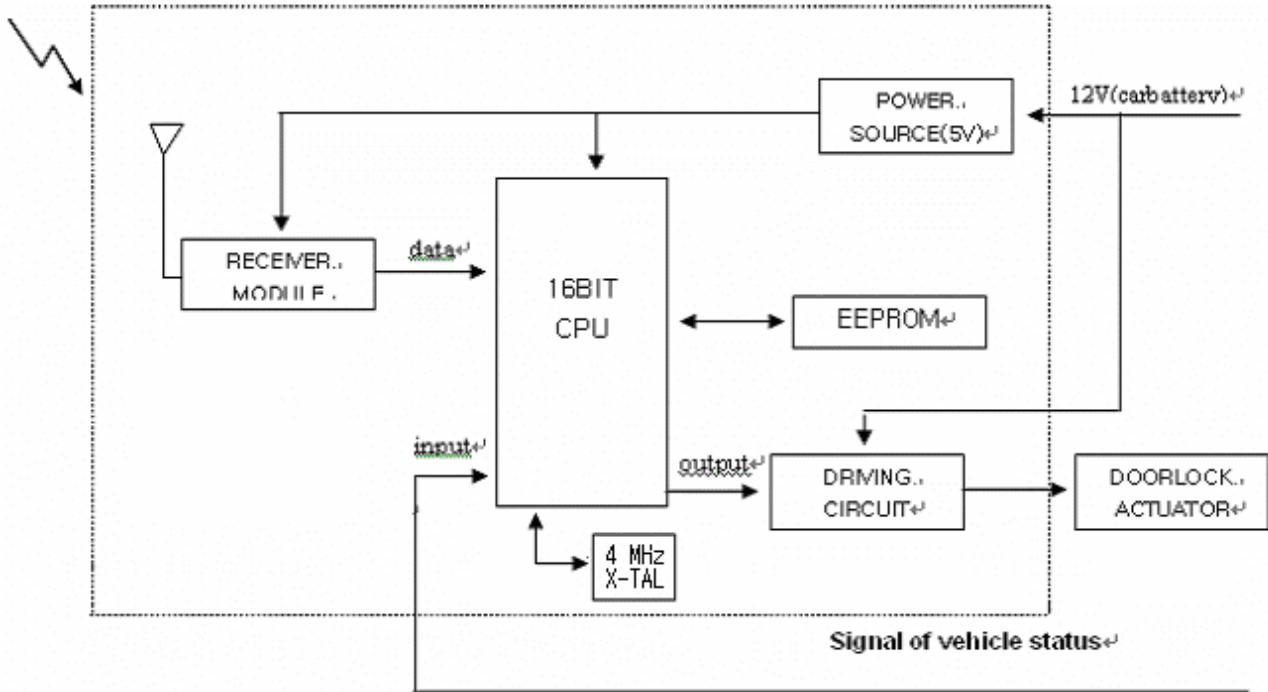


3. Block diagram (Main board)

This is block diagram concerning to the receiver



8. RF module

8.1 Block diagram (RF Module)

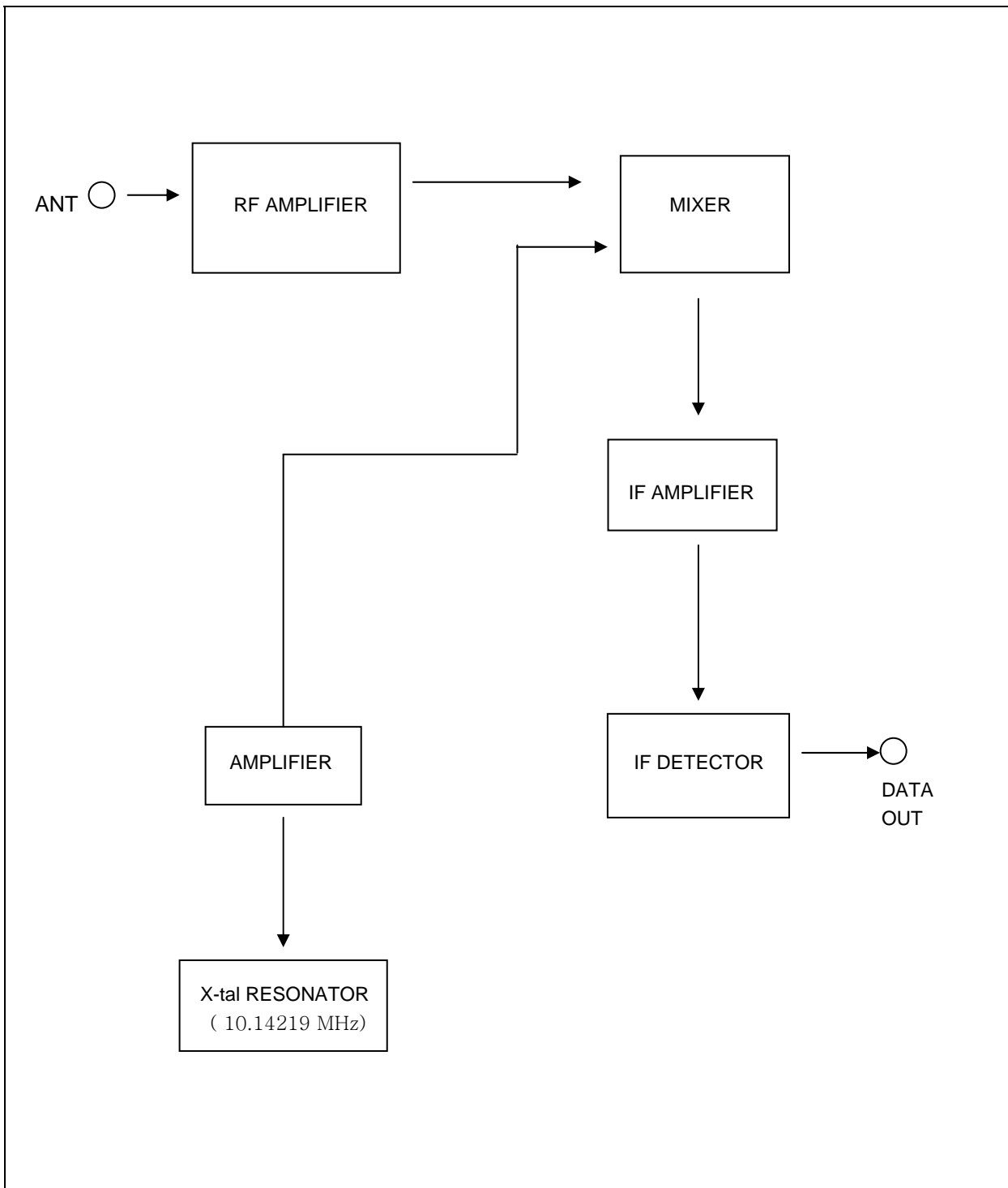


figure 8.1 G8X-21RX1AM Block diagram