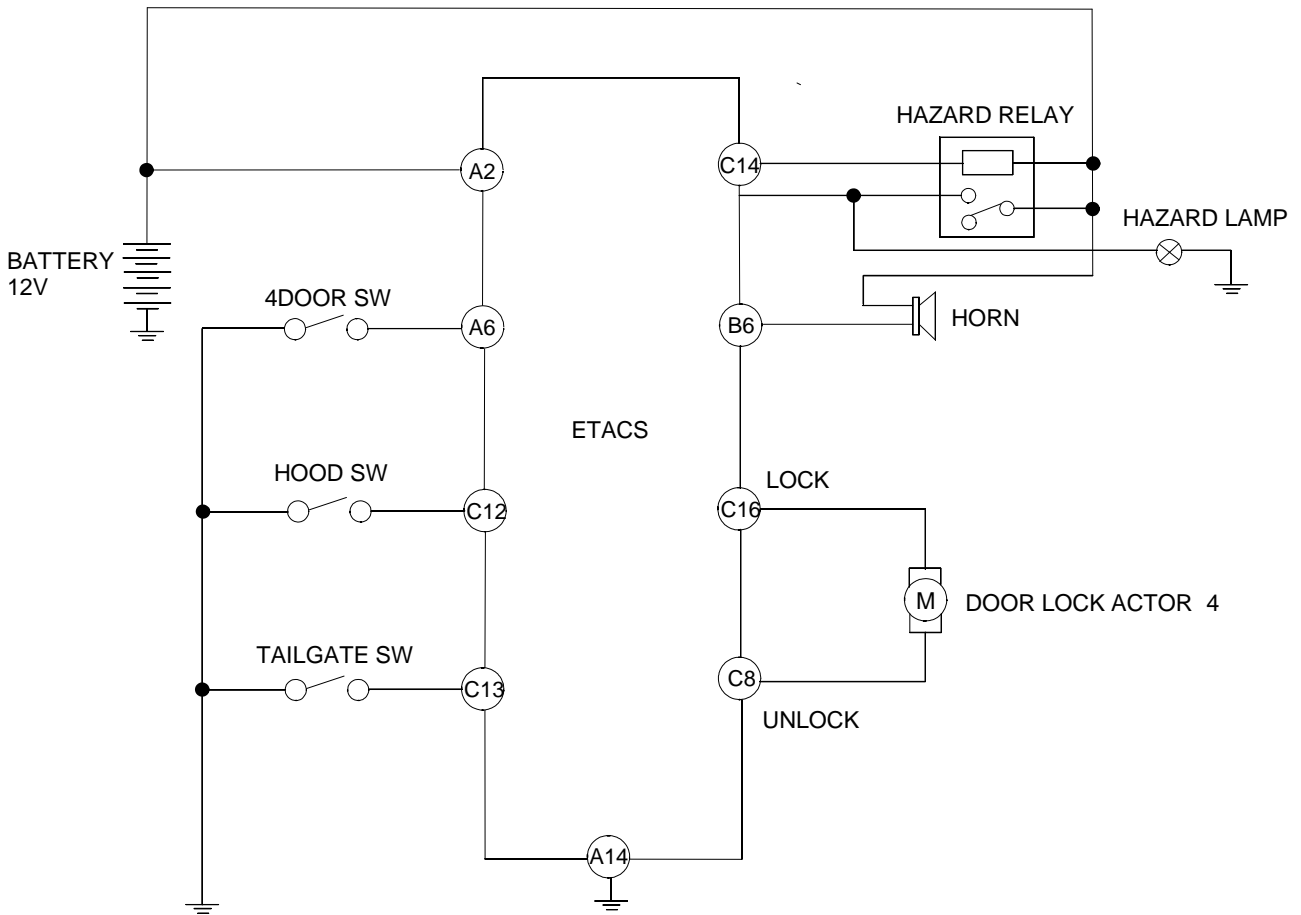


3. Block diagram (Main board)

This is block diagram concerning the receiver



RF MODULE BLOCK DIAGRAM

