

3. Block diagram

This is the block diagram concerning to the receiver.

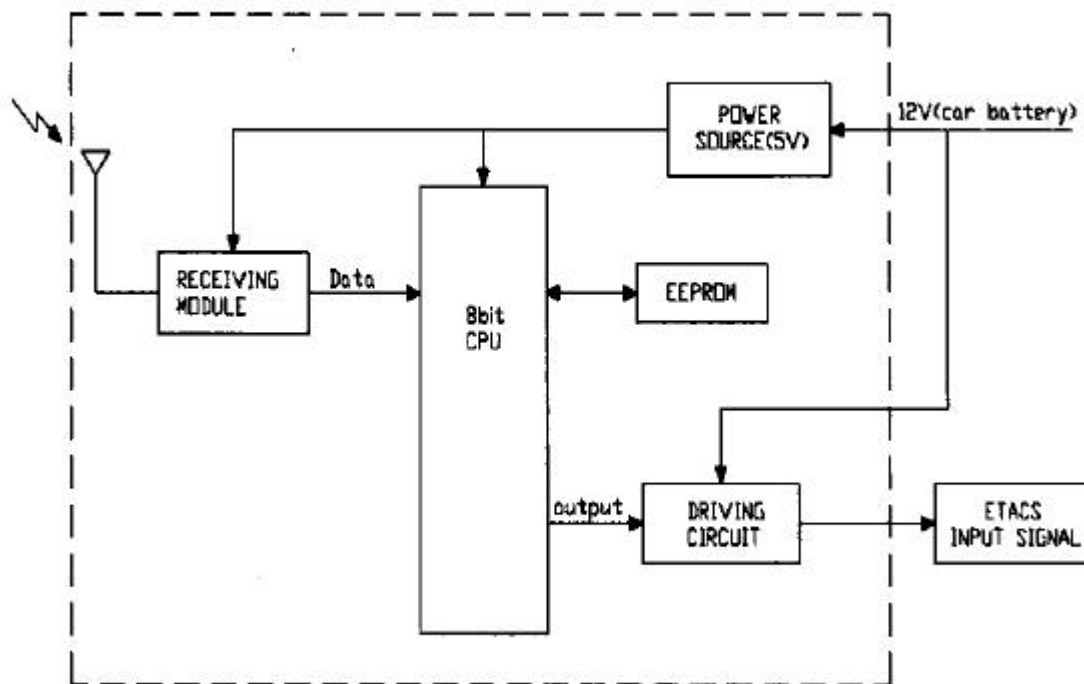


figure 3.1 block diagram of the receiver