

# 6.PCB

## 6.1 Circuit diagram

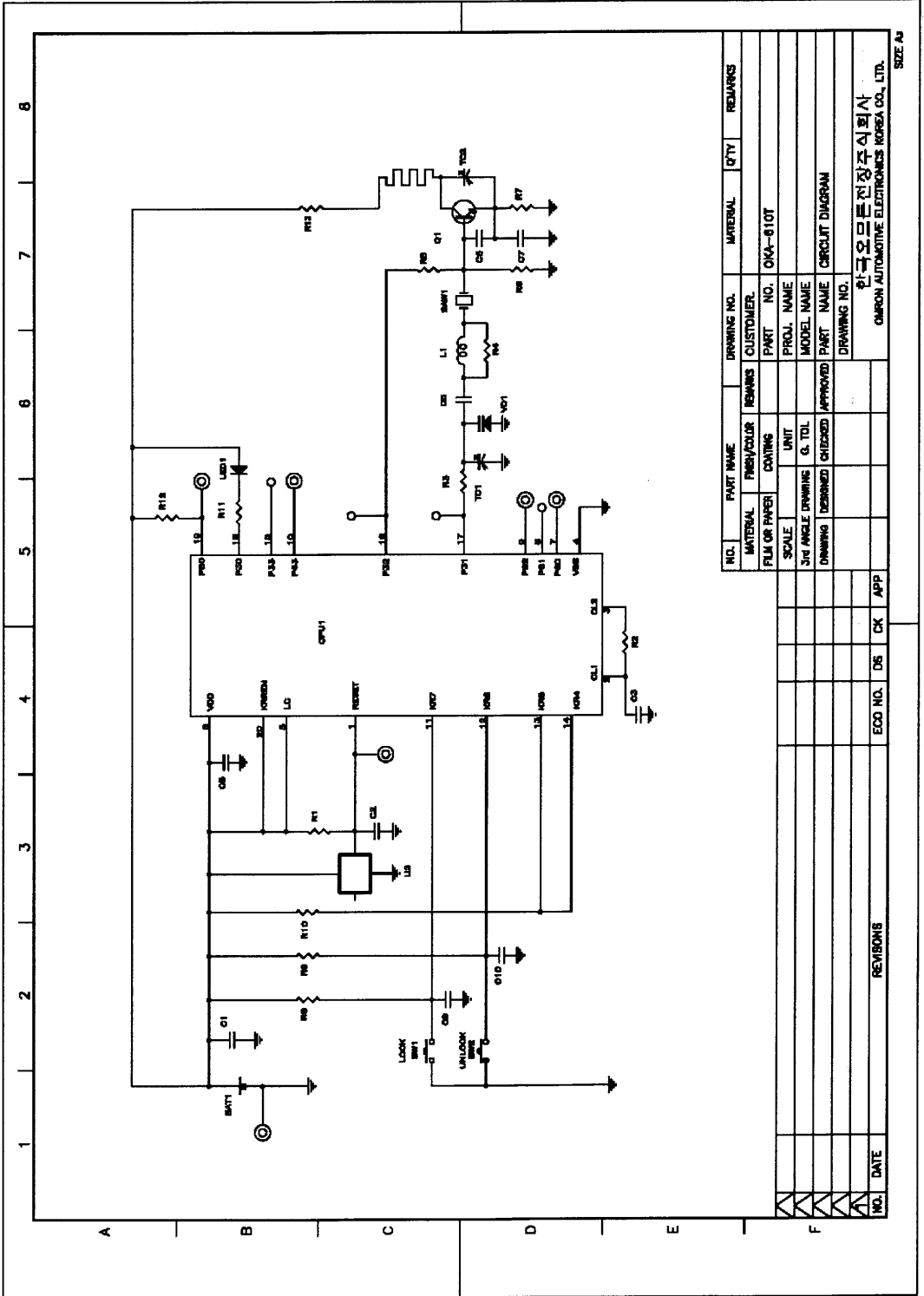


figure 6.1 Circuit diagram