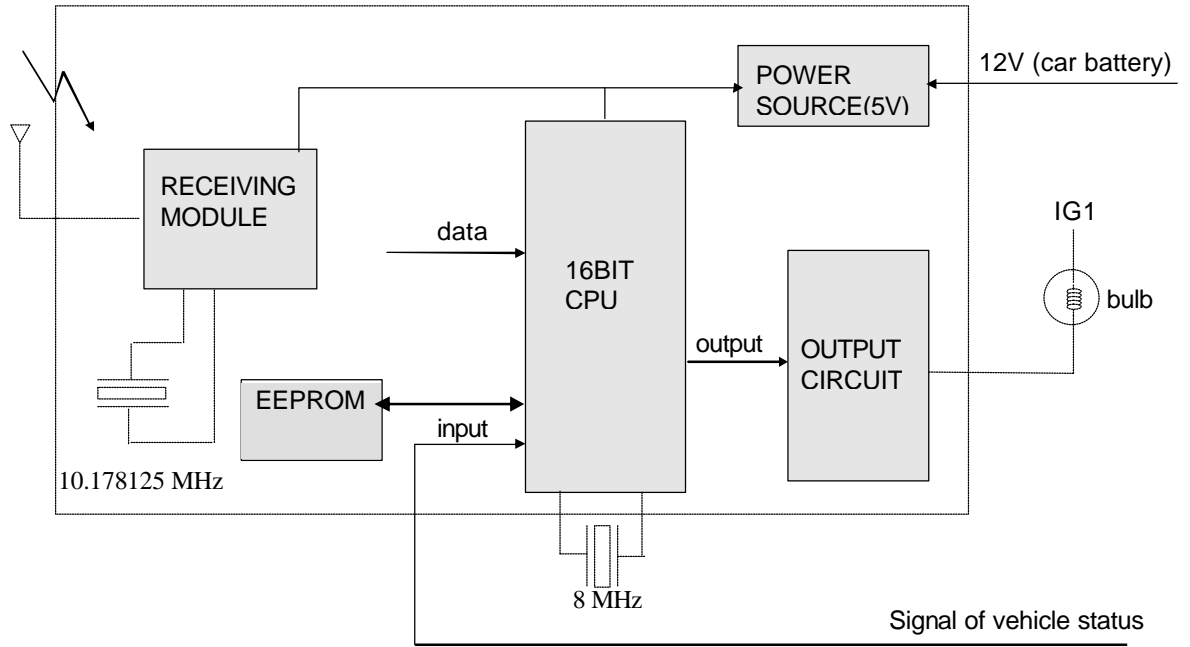


### 3. Block diagram

This is the block diagram concerning to the receiver.



**Figure 3.1** block diagram of the receiver