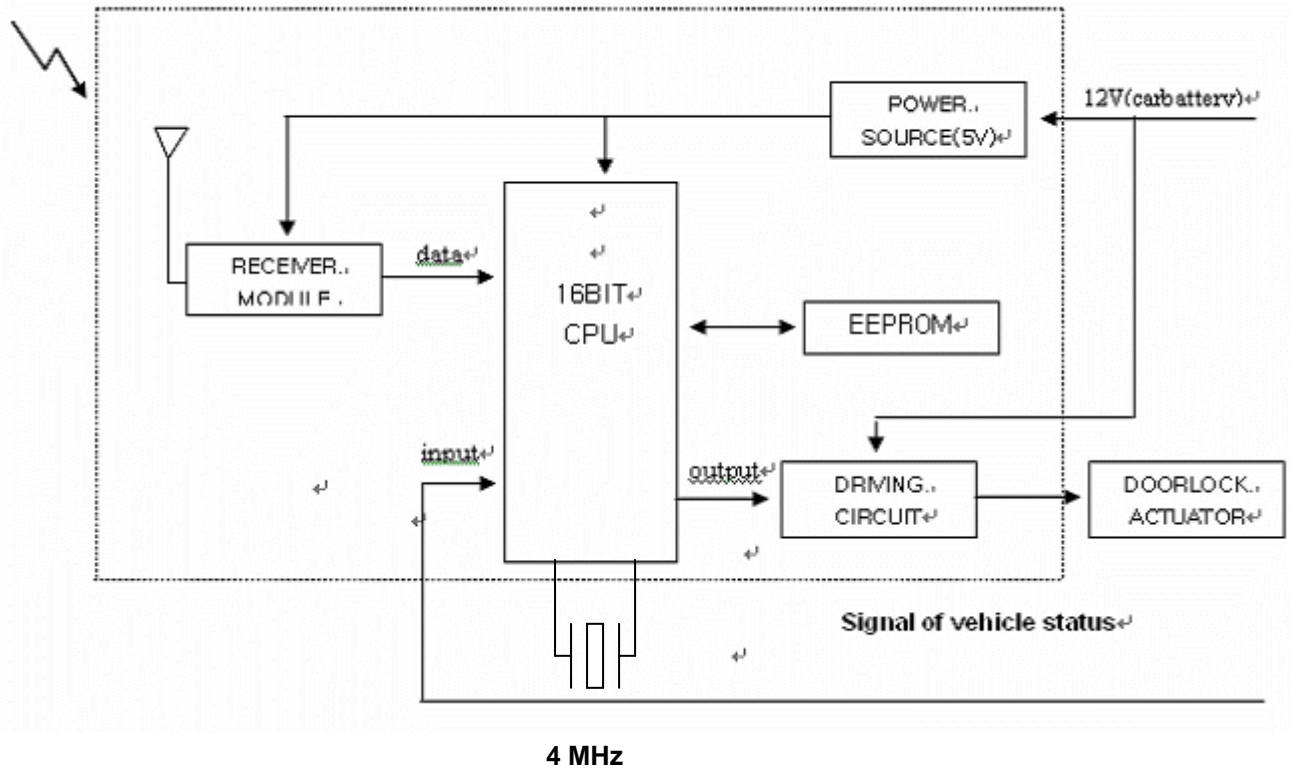


3. Block diagram (Main)

This is block diagram concerning to the receiver



8. RF module

8.1 Block diagram

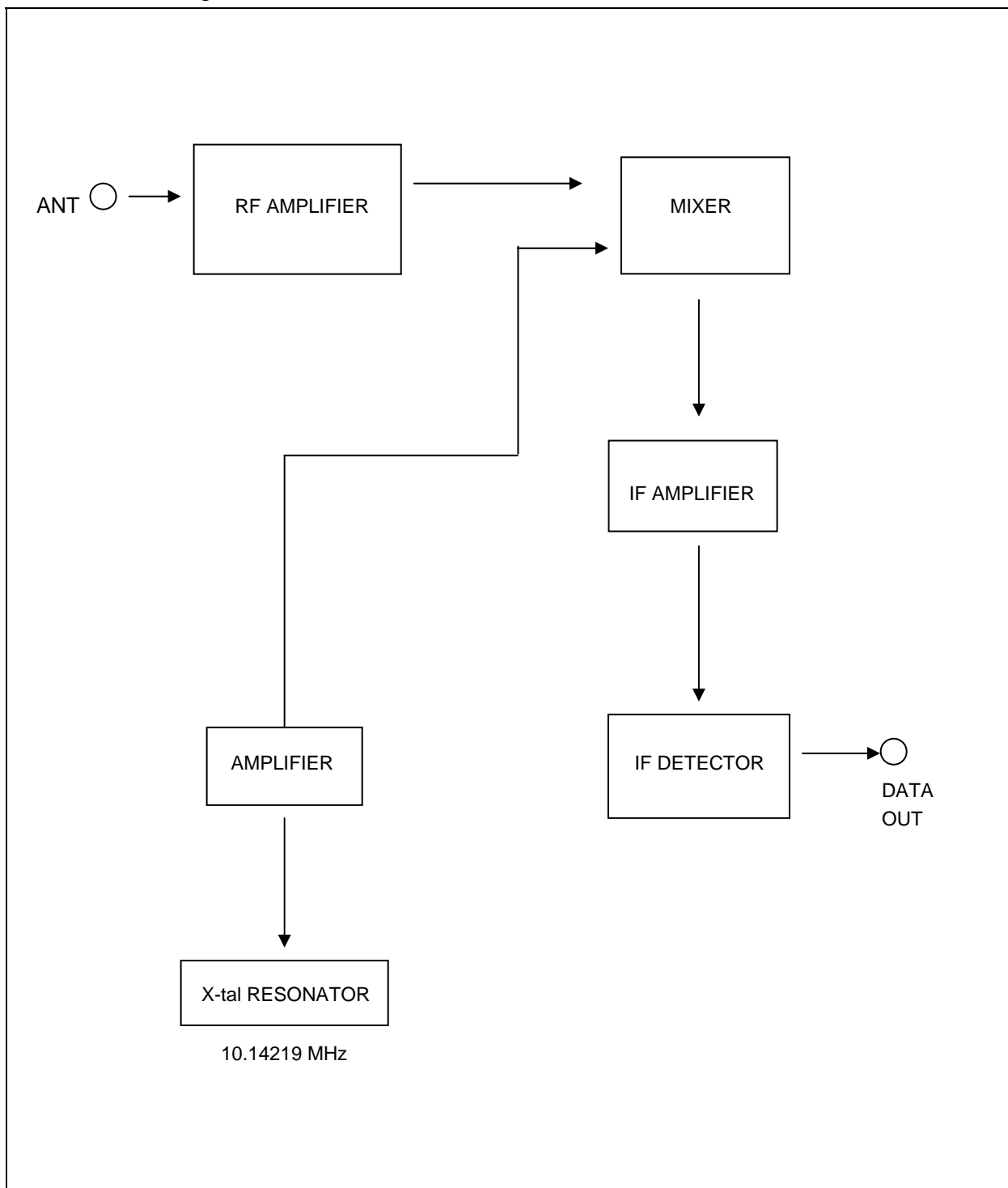


figure 8.1 G8X-21RX1AM Block diagram