

3. Block diagram (Main)

This is the block diagram concerning to the receiver.

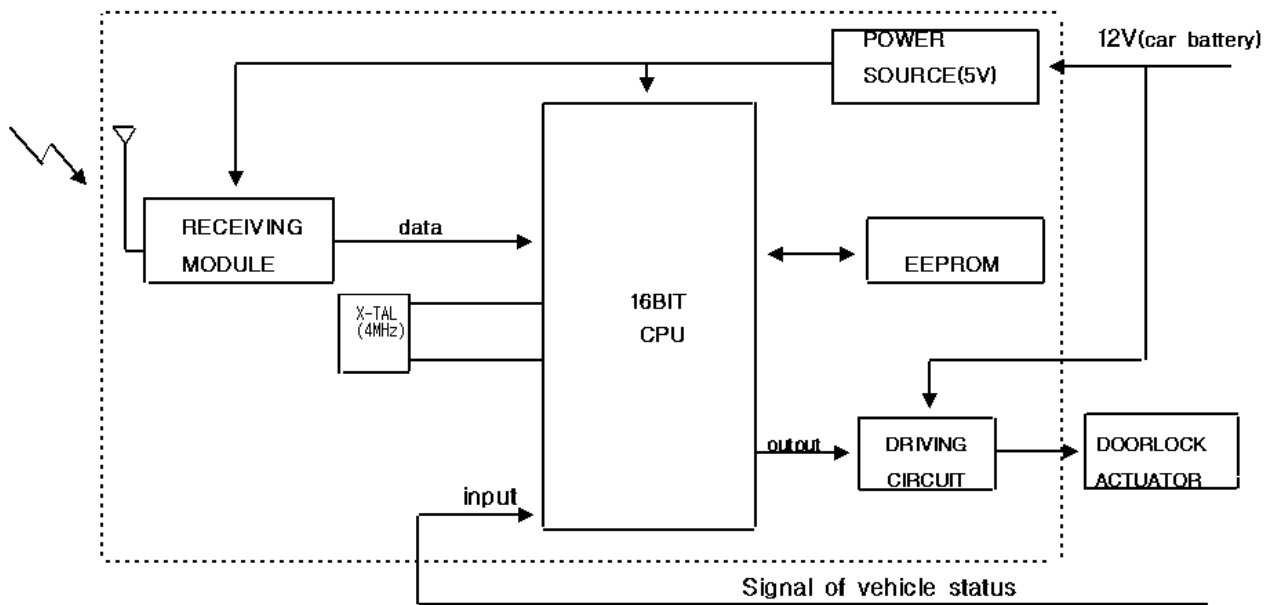


figure 3.1 block diagram of the receiver

8. RF module

8.1 Block diagram

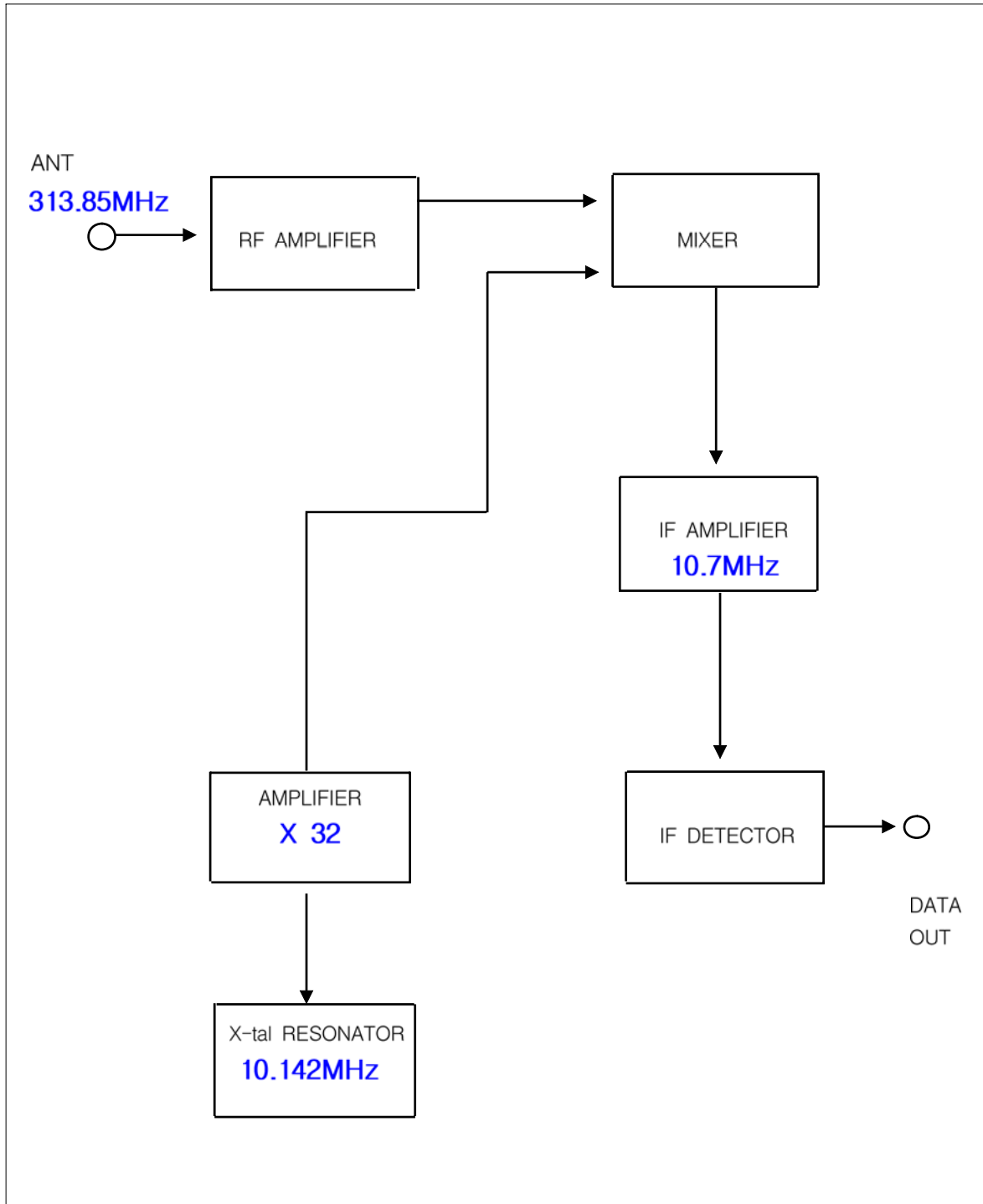


figure 8.1 G8X-21RX-KO1 Block diagram