

Appendix 7. Circuit Diagram

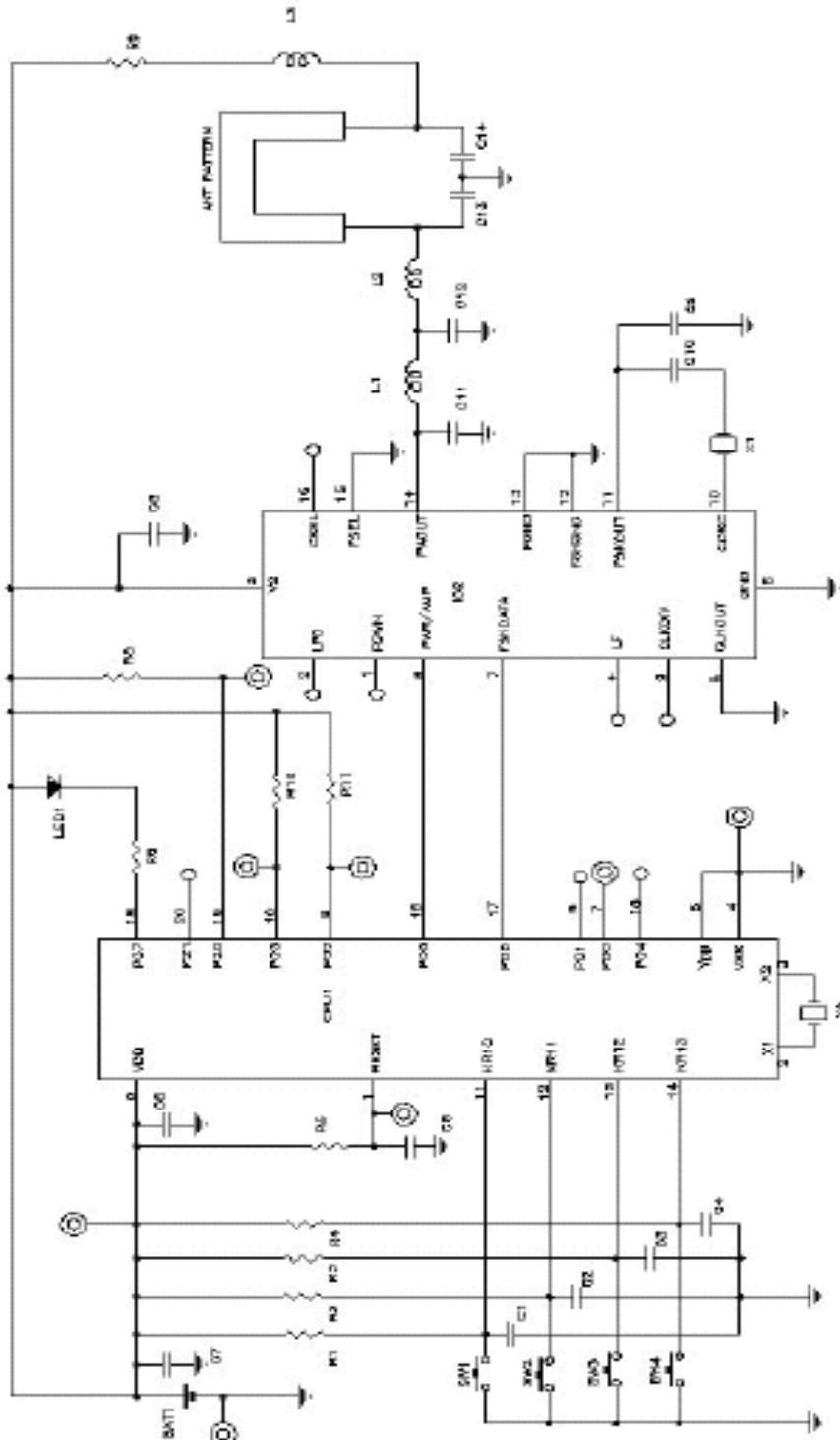


figure 6.1 Circuit diagram