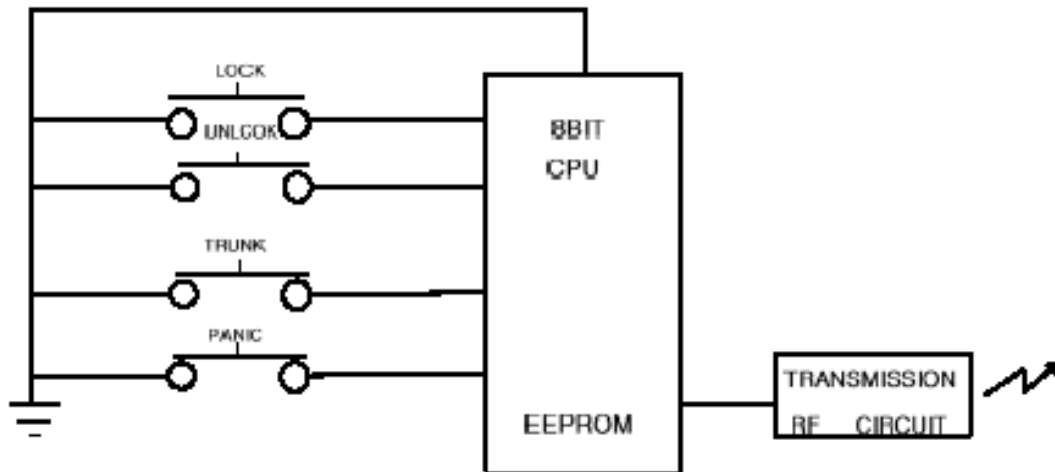


Appendix 8. Description of RF



Transmission frame

The transmission begins immediately in case of LOCK and UNLOCK and PANIC, TRUNK button is begun after 0.5s.

The transmission frame consists of the synchronous frame and the data frame. The synchronous frame has 320bit synchronous codes that it will be used for the receiver to wake up. The data frame consists of 24bit length identification code, 16bit security code and 4bit function code and 8bit crc code. 16million different identification codes are available.

The security code is always changed in case of any of the buttons is pressed. The transmission time is typically 300 milliseconds.