

3. Block diagram

This is block diagram concerning to the transmitter

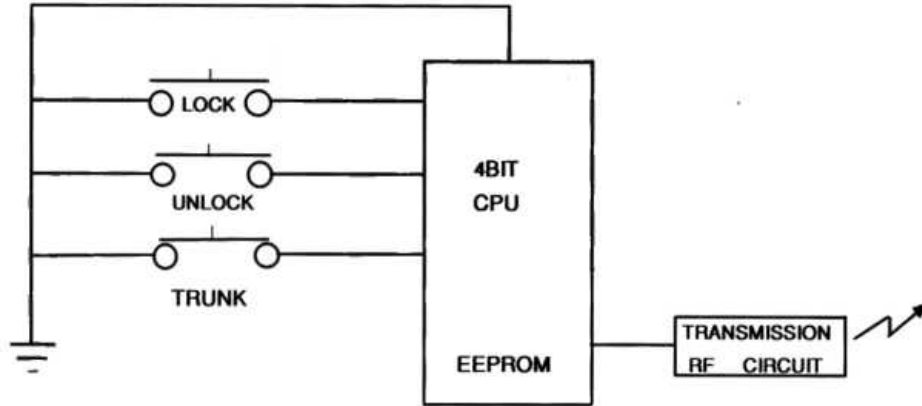


figure 3.1 block diagram of the transmitter



ONETECH

Testing & Evaluation Lab.

FCC ID.: OSLOKA-211T

File No.: E022R-044
