

FCC IC Label

1. FCC/IC Label Drawing

Omron Automotive Electronics Korea Co., Ltd.

Model: OKA-200W

Canada 216

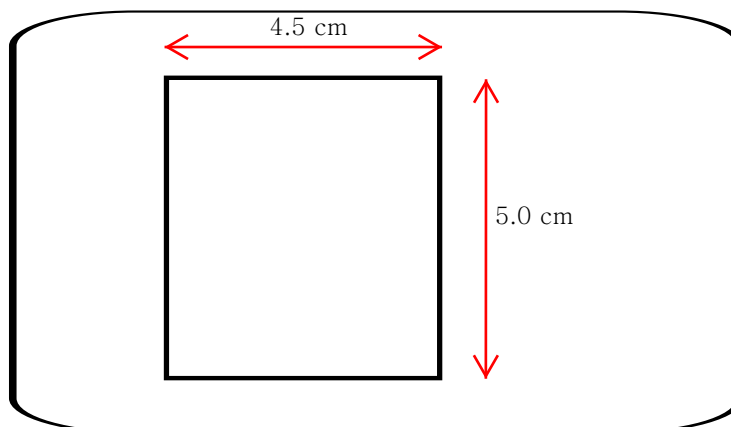
FCC ID: OSLOKA-200W

IC : 850F-OKA200W

Made in Korea

2. FCC IC Label Location

Bottom view of EUT



※ There is no space to insert the label statement 15.19(a)(3) on the OKA-200W.
Customer can be confirmed the statement in the manual.

FCC IC Label

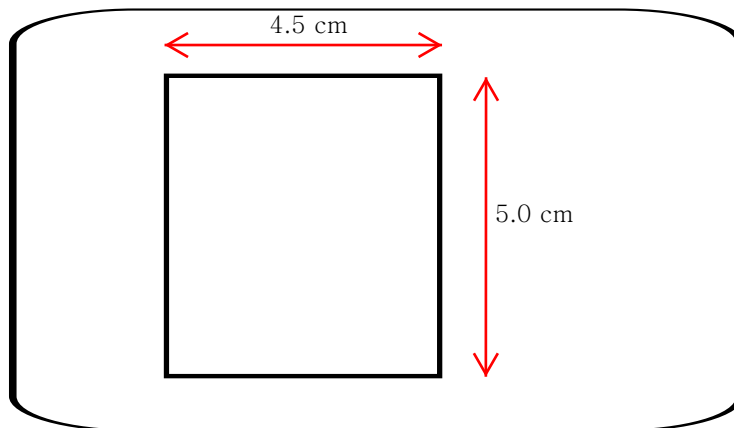
1. FCC/IC Label Drawing

Omron Automotive Electronics Korea Co., Ltd.
Model: OKA-201W
Canada 216

FCC ID: OSLOKA-200W
IC : 850F-OKA200W
Made in Korea

2. FCC IC Label Location

Bottom view of EUT



※ There is no space to insert the label statement 15.19(a)(3) on the OKA-200W.
Customer can be confirmed the statement in the manual.