

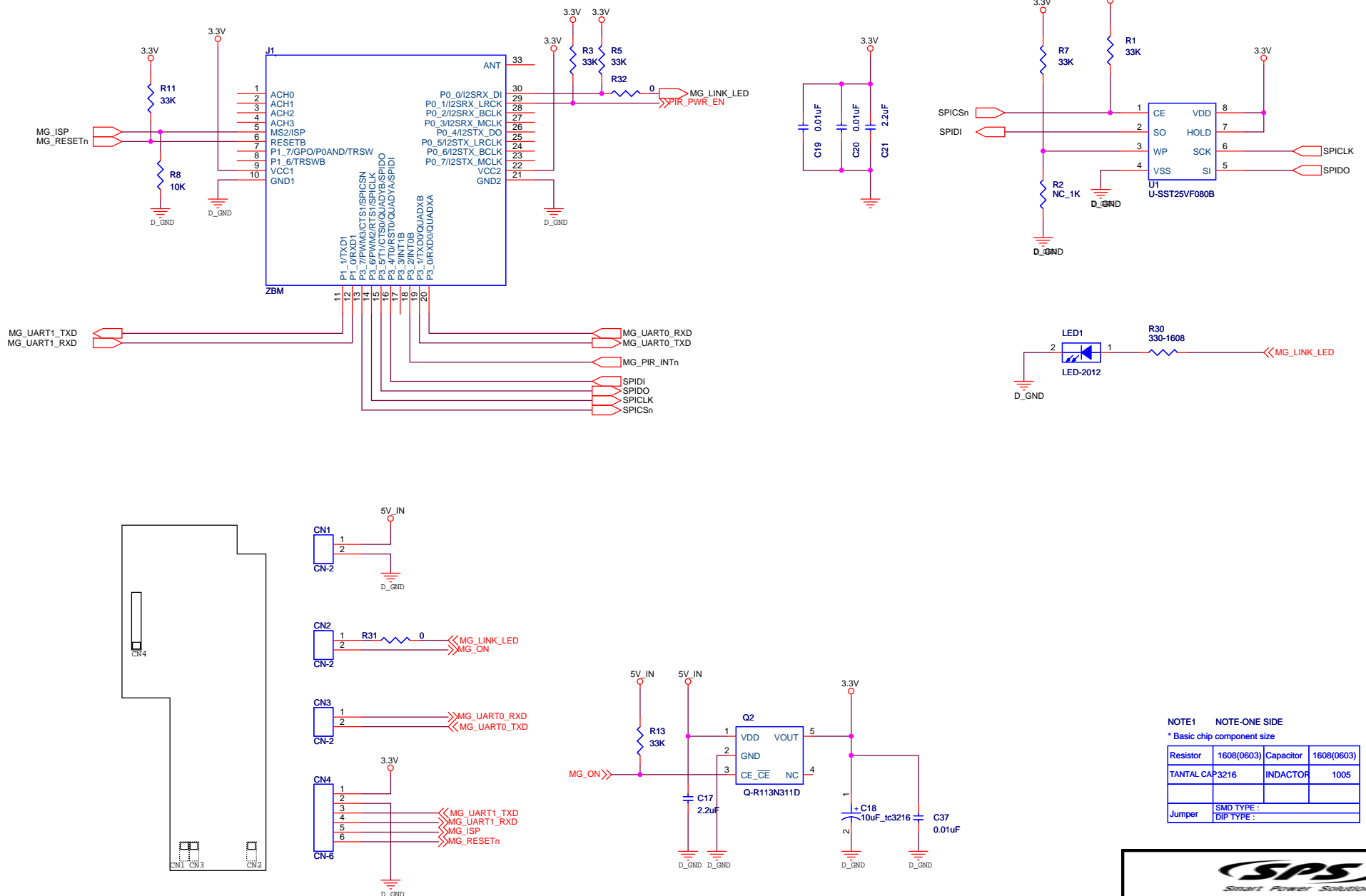
Appendix 5.

Schematics

Main board

GT-PMA-ZBB V1.0

ZigBee Base-board/PS206



NOTE1 NOTE-ONE SIDE
* Basic chip component size

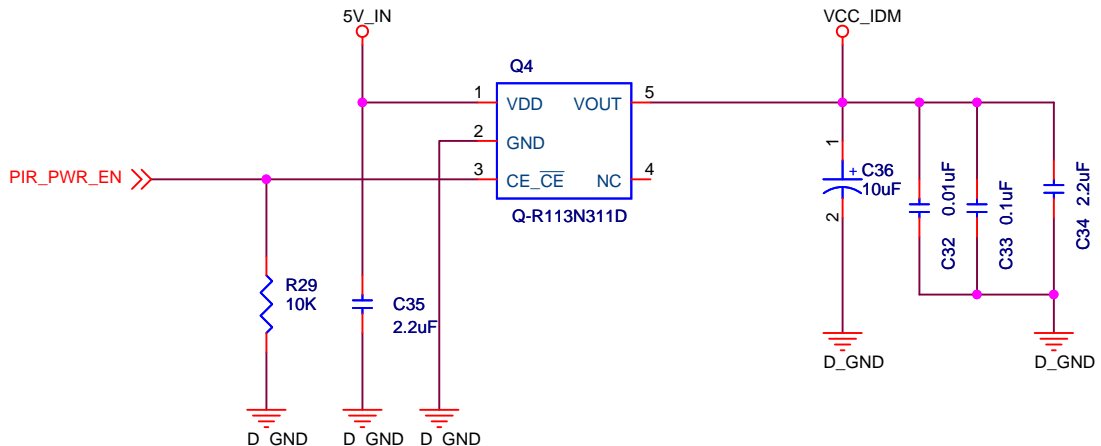
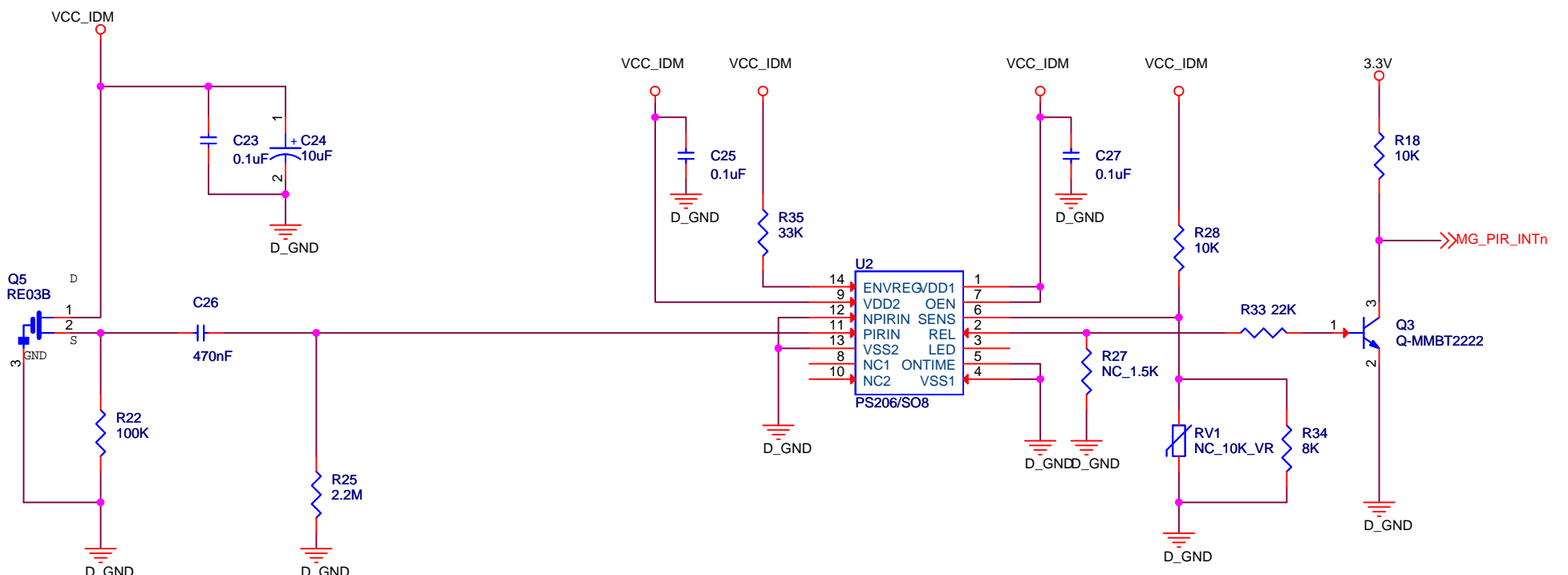
Resistor	1608(0603)	Capacitor	1608(0603)
TANTAL CAP	3216	INDUCTOR	1005
Jumper	SMD TYPE :		
	DIP TYPE :		

SPS
Smart Power Solutions

PROJECT NAME
GREEN HIVE ZIGBEE


Size A3	Page Name <Doc>	Rev XP101
------------	--------------------	--------------

Date: Thursday, April 26, 2012 Sheet 1 of 2



NOTE2 NOTE-ONE SIDE
 * Basic chip component size

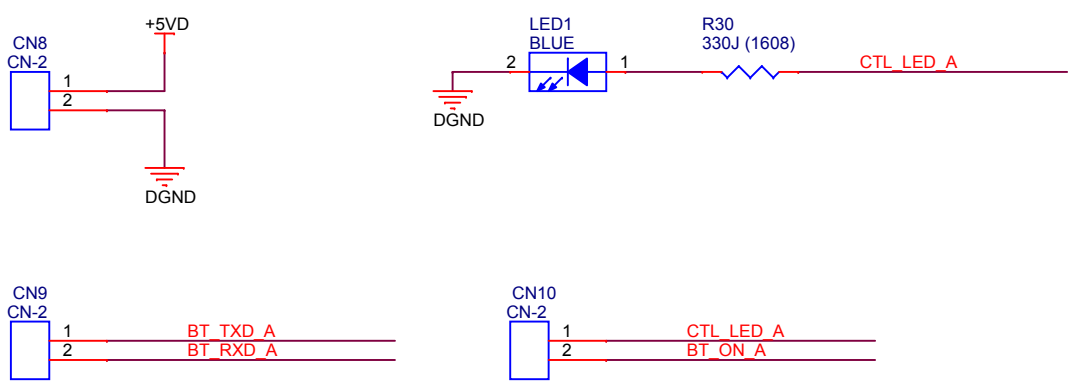
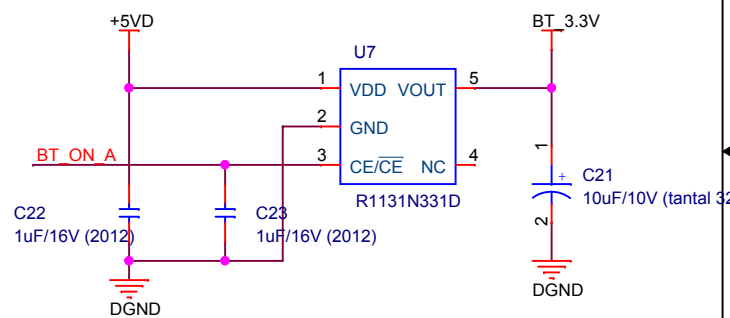
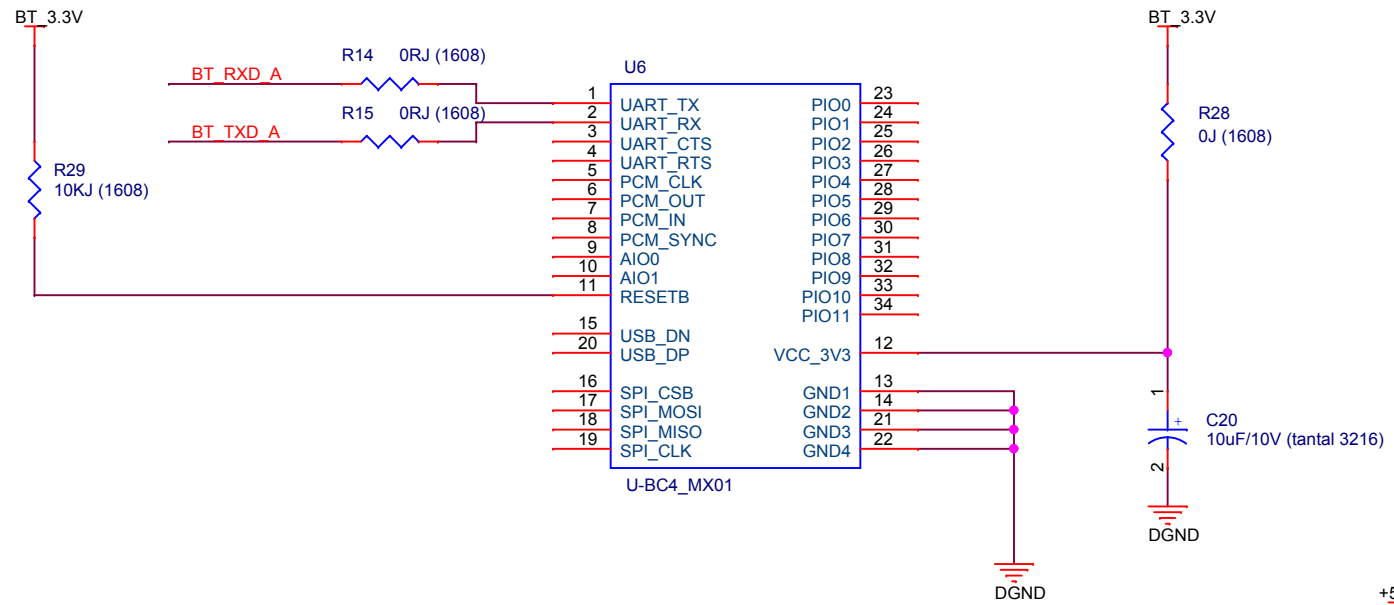
Resistor	1608(0603)	Capacitor	1608(0603)
TANTAL CAP	3216		
Jumper	SMD TYPE : DIP TYPE :		



SPS
Smart Power Solutions

PROJECT NAME GREENHIVE ZIGBEE		
Size A4	Page Name <Doc>	Rev XP101
Date: Thursday, April 26, 2012	Sheet 2	of 2

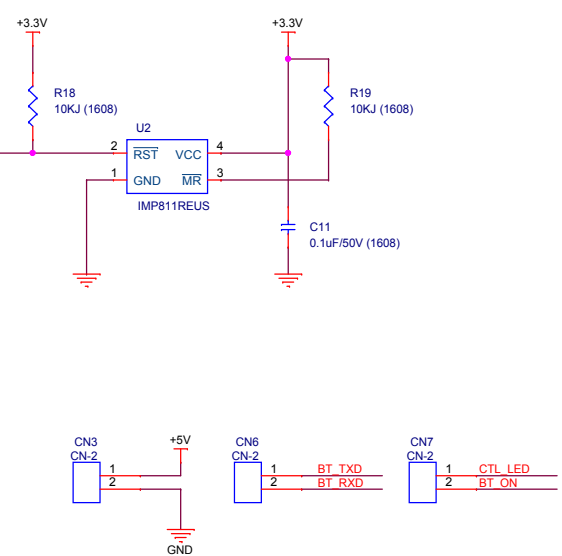
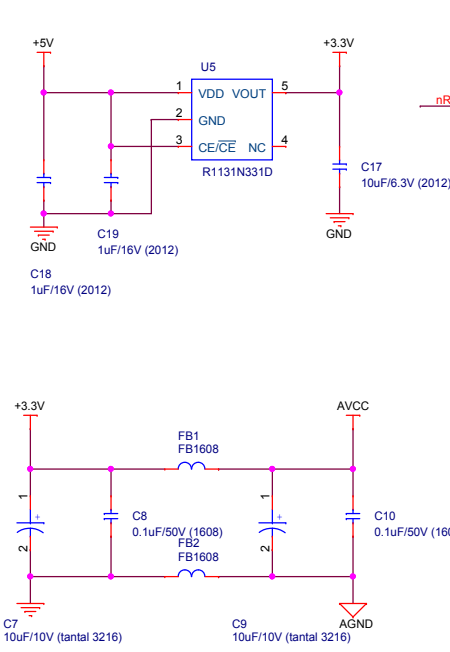
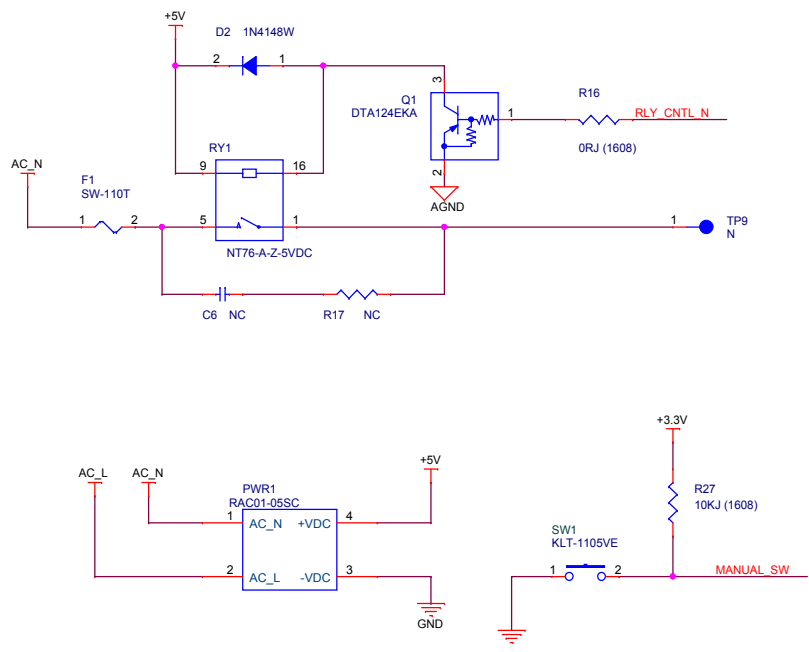
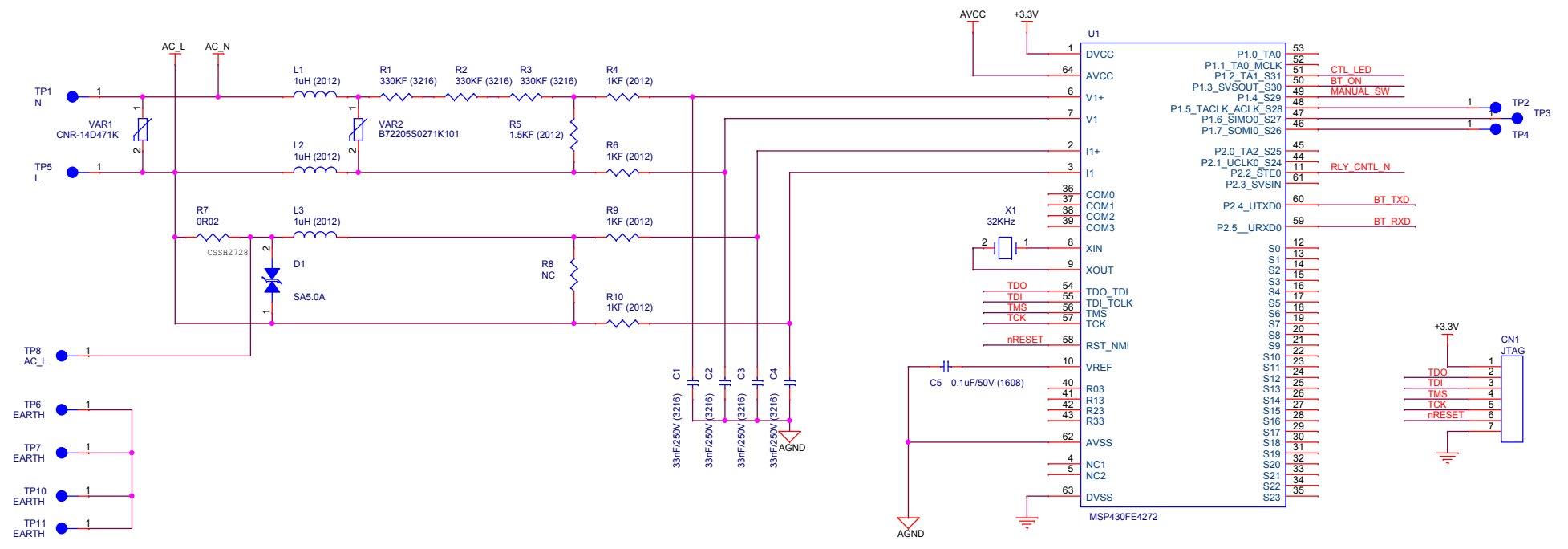
Sub board



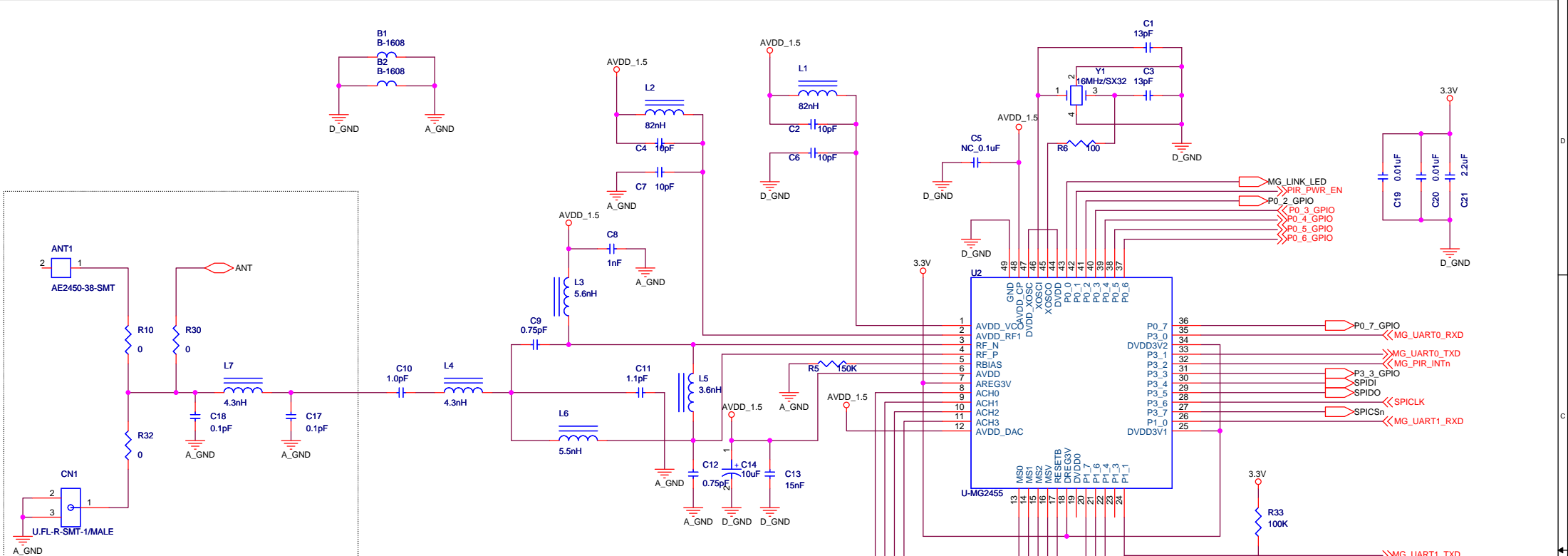
PROJECT NAME
Bluetooth

Size: A4 | Page Name: <Doc> | Rev: XP206

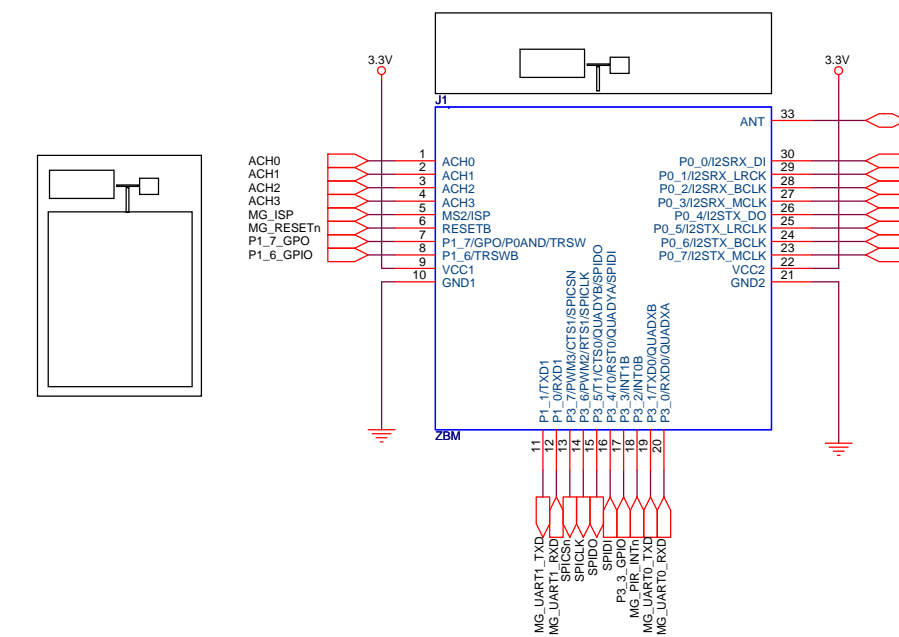
Date: Wednesday, May 02, 2012 | Sheet: 1 of 3



Zigbee Module



Shield CAN Outside



Sig. Name	Normal	Fusing
MG_ISP	Low	High
MG_RESETn	High	

Require external pull-up
PIR_PWR_EN, SPICSn, MG_PIR_INTn

NOTE1 NOTE-ONE SIDE
* Basic chip component size

Resistor	1608(0603)	Capacitor	1608(0603)
TANTAL CAP	3216	INDUCTOR	1005
Jumper	SMD TYPE : DIP TYPE :		

PROJECT NAME
GREEN HIVE ZIGBEE

Size A3	Page Name <Doc>	Rev V1.0
------------	--------------------	-------------

Date: Thursday, April 05, 2012 Sheet 1 of 1