

UNITE RP | RP-T

**BODYPACK RECEIVER
TASCHENEMPFÄNGER**

QUICK START GUIDE
KURZANLEITUNG

beyerdynamic

This device complies with Part 15 of the FCC Rules and with Industry Canada licence-exempt RSS standard(s). Operation is subject to the following two conditions: (1) this device may not cause harmful interference, and (2) this device must accept any interference received, including interference that may cause undesired operation.

Le présent appareil est conforme aux CNR d'Industrie Canada applicables aux appareils radio exempts de licence. L'exploitation est autorisée aux deux conditions suivantes: (1) l'appareil ne doit pas produire de brouillage, et (2) l'utilisateur de l'appareil doit accepter tout brouillage radioélectrique subi, même si le brouillage est susceptible d'en compromettre le fonctionnement.

This equipment has been tested and found to comply with the limits for a Class A digital device, pursuant to Part 15 of the FCC Rules. These limits are designed to provide reasonable protection against harmful interference when the equipment is operated in a commercial environment. This equipment generates, uses, and can radiate radio frequency energy and, if not installed and used in accordance with the instruction manual, may cause harmful interference to radio communications. Operation of this equipment in a residential area is likely to cause harmful interference in which case the user will be required to correct the interference at his own expense.

Changes or modifications made to this equipment not expressly approved by Beyerdynamic may void the FCC authorization to operate this equipment.

Radiofrequency radiation exposure Information:

For body worn operation, this equipment has been tested and meets the FCC RF exposure guidelines when used with the Beyerdynamic accessories supplied or designated for this product. Use of other accessories may not ensure compliance with FCC RF exposure guidelines.

Este produto está homologado pela Anatel, de acordo com os procedimentos regulamentados pela Resolução nº. 242/2000 e atende aos requisitos técnicos aplicados, incluindo os limites de exposição da Taxa de Absorção Específica referente a campos elétricos, magnéticos e eletromagnéticos de radiofrequência de acordo com as Resoluções nº. 303/2002 e 533/2009.

This device is granted pursuant to the Japanese Radio Law (電波法) and the Japanese Telecommunications Business Law (電気通信事業法). This device should not be modified (otherwise the granted designation number will become invalid).



The devices conforms to the EU guidelines
(EMC) 2014/30/EU
(LVD) 2014/35/EU
(RED) 2014/53/EU
as attested by the CE mark.

FCC ID: OSDUNITEP

IC: 3628C-UNITEP

Japan: R: 202-SMG006

Thank you for choosing the Unite RP bodypack receiver.

To ensure an optimum performance, we would like to give you a brief introduction on how to use this bodypack receiver.

The Unite RP bodypack receiver was designed for barrier-free use:

- raised symbols on the front operating buttons for the blind
- Braille on the side talkback button for the blind
- compatible with beyerdynamic induction loops for the hard of hearing

For detailed operating instructions in your language, please visit:
www.beyerdynamic.com/unite

1. Safety instructions

General

- Please READ this user manual before the first use.
- Please KEEP this user manual.
- Please FOLLOW the specified operating and safety instructions.

Disclaimer

- beyerdynamic GmbH & Co. KG will not be liable for any damage to the product or injury to persons caused by negligent, improper, incorrect or inappropriate operation of the product.

Danger to life

- The supplied strap is only used for wearing the device around the neck. If it is not used correctly, the risk of strangulation may occur.

Volume

- When using headphones/headsets, make sure that the volume is set to minimum. Adjust the volume only after putting on the headphones/headset.
Too high volumes and too long listening times can damage your hearing. Hearing damage always represents an irreversible impairment of hearing.
- Always pay attention to the volume. As a rule of thumb, the higher the volume, the shorter the listening time. By law, the maximum allowed value is 85 dB at a maximum listening time of 8 hours.
- Temporary symptoms that you have been exposed to loud noise are:
 - ringing or whistling in the ears
 - high tones can no longer be perceived

Troubleshooting / repairs

- Never open the device yourself.
- Refer all service work to authorised professionals only.

Cleaning

- Only clean the device with a dry or slightly damp cloth. Never use solvents, as these will damage the surface.

Rechargeable battery

- The bodypack receiver is operated with the following battery type: BAT-3707, lithium-ion, 3.7 V, 1.88 Ah, 6.96 Wh (order no. 727.679)
- Use only a USB 2.0/3.0 compliant 5V power supply to charge the battery pack via the integrated USB type-C port (power consumption is max. 500 mA).
- High temperatures, particularly in association with a high charging status, result in irreversible damage of the battery pack.
- If you are not intending to use the battery for an extended period or are planning to put it into storage, it is advisable to lower the battery's charging level to around 50% and to store it at temperatures of maximum 30 °C.
- In order to ensure safe transport by land, sea and air, the battery pack used for the bodypack receiver is tested according to the UN 38.3 transport regulation for lithium-ion batteries.
- Misuse or improper use could damage the battery pack. In extreme cases, there is a risk of explosion, heat, fire, smoke or gas.
- Never expose the battery pack to excessive heat such as sunshine, fire or the like.
- Do not expose the battery pack to mechanical shock.

- Charge the battery pack before initial use.
- Use the specified chargers for charging the battery pack.
- Avoid complete draining of the battery. This could damage the battery and shorten its service life.
- If you do not use the receiver for several months, the batteries should be charged at least twice a year to prevent deterioration in performance due to self-discharge.
- Clean the charging contacts of the receiver with a clean dry cloth, if they become dirty.
- Do not short-circuit the battery.
- The charging contacts could cause property damage, injuries or fire damage if they come into contact with conductive materials such as jewellery, keys or chains. This can lead to a closed electric circuit and, therefore, to the material overheating. To avoid this kind of unintentional electric circuit, the charging contacts must be handled with care. This is especially important if the receiver is transported in a bag or another container containing other metallic objects.

Moisture / heat sources

- Keep the battery pack clean and dry. Never expose the device to rain or high humidity. Do not install it in the immediate vicinity of swimming pools, shower facilities, damp basements or other areas with unusually high air humidity.

- Never place objects filled with water (e.g. vases or drinking glasses) on the device. Liquids in the devices may cause a short circuit.
- Never install or operate the device in the immediate vicinity of radiators, lighting systems or other heat-generating devices.

Disposal

At the end of its operating life this product may not be disposed of along with normal household waste. Please take it to a designated recycling point for electric and electronic appliances. This is indicated by the symbol on the product, the operating instructions or the packaging.



Simplified EU declaration of conformity

beyerdynamic hereby declares that the wireless transmission device complies with the EU Directive 2014/53/EU (RED). The complete text of the EU declaration of conformity is available online at the following address:

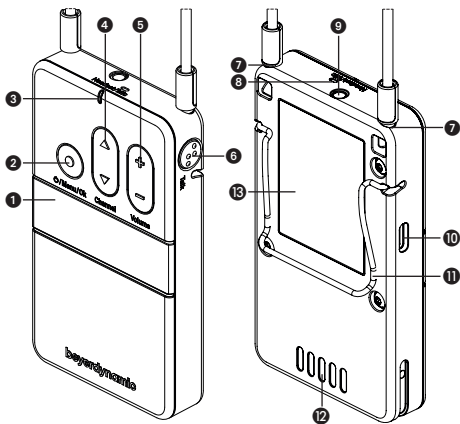
<http://www.beyerdynamic.com/cod>

2. Supplied accessories

- Unite RP or RP-T bodypack receiver with mounted belt clip
- Quick Start Guide
- Neck strap
- Two spare caps for the talkback button

3. Operating elements

3.1 Device



- 1** Display
The display indicates the channel name, battery status and different menus.
- 2** On/Off and menu button
Use the on/off button to turn the receiver on or off. To switch off the device, hold down the button for 5 seconds. In order to activate the main menu, hold down the button for 2 seconds. Use the menu button to confirm settings.

- 3 Status indicator light
– during operation:

Indicator light	Operating status
Off	Device is switched off
Flashing yellow slowly	<ul style="list-style-type: none"> • Ready to operate and battery status > 10 % • Out of range from transmitter
Yellow	Only for RP-T: Connection established and battery status > 10 %
Green	<ul style="list-style-type: none"> • RP: Connection established and battery status > 10 % • RP-T: Connection established, talkback is running and battery status > 10 %
Flashing red slowly	Low battery level < 10 %
Red	<ul style="list-style-type: none"> • Device is starting • Firmware update is running
Flashing red rapidly	Critical error

– in the charger:

Indicator light	Charging status
Off	Device is switched off
Flashing green slowly	Charging 0 - 100%
Green	Battery is charged
Flashing yellow slowly	Pairing information is being copied from the transmitter/charger
Yellow for 10 seconds	Device information is copied successfully to device
Flashes red slowly for 10 seconds	Pairing error
Flashing green/yellow rapidly	Device is being localised
Flashing red rapidly	Charging error

4 Multifunction button

With this button you can enter the channel selection menu and select a channel. If you are in a menu, you can scroll through the menu to make various settings.

5 Volume button

Use this button to adjust the volume of any connected headphone/headset/induction loop. Use this button to adjust the volume of any connected headphones/headsets/induction

loops. With “+” the volume is increased, with “-” the volume is reduced.

Important: Please note the safety instructions regarding the volume.

6 Talkback button (**only with RP-T**)

With this button you can ask the tour guide a question via the integrated microphone or the microphone of a connected headset.

7 Neck strap attachment

Attach the supplied neck strap by pushing the pins at the end of the neck strap into the fastening holes. For safety reasons, the fastening will detach when pulled strongly.

8 Integrated microphone (**only with RP-T**)

The integrated microphone is used for **short** queries to the tour guide. Maintain a distance of 10 cm from the microphone when speaking. **For a best possible audio transmission we recommend using an external headset**

9 RP: Headphone/induction loop connector

RP-T: Headphone/headset/induction loop connector

10 USB port, Type C

You can use this connector to charge the integrated battery pack via a USB power adapter. Furthermore, you can connect the bodypack receiver to the USB Type C port on a Unite charger to charge it or to pair it with other devices.

11 Belt clip

The belt clip allows you to attach the device to clothing such as a waistband or belt.

12 Charging contacts

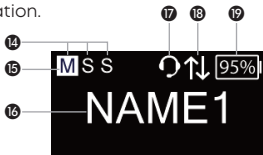
The built-in battery is charged via the charging contacts when the device is inserted into the charger. Make sure to insert the device fully into the charging slot of a Unite charger so that the charging contacts have proper contact.

13 Type label

The type label provides information about the name, article number, certification numbers, hardware version, serial number and production date.

3.2 Display

The main screen (below) is displayed when the bodypack receiver is switched on and ready for operation.



14 Display of all active speakers (Master, 1st slave, 2nd slave)

15 Display of current type of speaker (the bar indicates 1st slave or 2nd slave)

16 Current channel name

17 RP-T only:

Headset connected

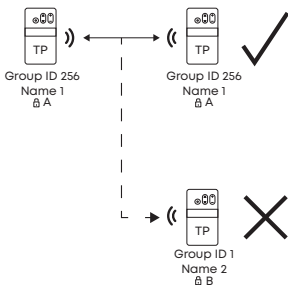
18 Talkback function activated

19 Display of remaining battery capacity

4. General operation

- **Important:** Before using the bodypack receiver for the **first time**, you must charge the built-in battery. Please use an appropriate Unite charger.
- Connect a headphone or induction loop to jack socket **9**.
With the **RP-T** variant you can also connect a headset instead of headphones.
- Hold down the on/off button **2** to switch on the receiver.
- Use the volume button **5** to adjust the volume of the headphone/headset/induction loop.
- All devices are supplied with the group ID 256 and fixed audio encryption allowing quick and easy initial use.
- If you require several device groups or an audio transmission even more secure against unauthorised listening and to avoid listening by other Unite users using Unite devices, follow the steps in chapter 5 of the Unite TP bodypack transmitter quick start guide to create a new pairing.

The transmitter and receiver can only communicate if the settings mentioned in this chapter match. Transmitters cannot communicate with receivers that do not have the same pairing information. This is shown in the following diagram:



4.1 How to select an audio channel

- If there are several transmitters in one group you can select the channel of the appropriate transmitter on the receiver. Use the multifunction button **4** on the receiver to select the desired channel and confirm your selection by briefly pressing the menu button **2**.

5. Technical specifications

DECT RF frequency range	1880 - 1930 MHz, depending on the country
DECT transmission power	up to 250 mW (peak), depending on the country
DECT operating range	up to 300 m outside (line of sight); the actual operating range depends upon the RF output settings, the surroundings, the signal absorption, signal reflection and signal interference
Audio bandwidth	
Low quality (SD)	200 Hz - 7 kHz (-3 dB)
High quality (HD)	100 Hz - 14 kHz (-3 dB)
Operating mode	Broadcast and/or full-duplex on all routes
Encryption	AES-256 bit encryption
Headphone/headset/ induction loop connector	4-pin mini jack, 3.5 mm, CTIA Standard
Integrated microphone	yes
Display	monochrome white OLED display with high contrast
Max. number of open microphones	3 (individual level control for each microphone)
Battery	lithium-ion battery pack, replaceable by service staff only

Battery monitoring	Battery status of remaining capacity via OLED display
Operating time of battery pack.....	> 15 hrs., typ.
Side-tone and microphone gain	individually adjustable
USB Type C connector.....	USB 2.0/3.0 standard, compatible to 5 V power supplies only, power consumption max. 500 mA
Strap anchor points	available, neck strap removable
Dimensions (W x H x D).....	58 x 102 x 15.5 mm
Weight (incl. battery)	105 g
Temperature range	
Operation.....	-10 to +40 °C
Storage	-20 to +70 °C
Relative humidity	0 to 90%

6. Service

When servicing is required, please contact an authorised professional or directly:

beyerdynamic Service- and Logistik Center
E-mail: service@beyerdynamic.de

Never open the device yourself, as this will invalidate all warranty claims.

Vielen Dank für Ihr Vertrauen und dass Sie sich für den Kauf des Taschenempfängers Unite RP entschieden haben.

Für ein bestmögliches Ergebnis möchten wir Ihnen eine kurze Einführung geben, wie Sie den Taschenempfänger verwenden können.

Der Taschenempfänger Unite RP wurde für eine barrierefreie Benutzung konzipiert:

- erhabene Symbole auf den vorderen Bedientasten für Blinde
- Brailleschrift auf der seitlichen Talkback-Taste für Blinde
- Unterstützung von beyerdynamic Induktionsschleifen für Schwerhörige

Eine ausführliche Bedienungsanleitung in Ihrer Sprache finden Sie unter www.beyerdynamic.com/unite

1. Sicherheitsinformationen

Allgemein

- LESEN Sie die Bedienungsanleitung vor der ersten Inbetriebnahme.
- BEWAHREN Sie diese Bedienungsanleitung auf.
- BEFOLGEN Sie die aufgeführten Bedienungs- und Sicherheitshinweise.

Haftungsausschluss

- Die Firma beyerdynamic GmbH & Co. KG übernimmt keine Haftung für Schäden am Produkt oder Verletzungen von Personen aufgrund unachtsamer, unsachge-

mäßer, falscher oder nicht dem vom Hersteller angegebenen Zweck entsprechender Verwendung des Produkts.

Lebensgefahr

- Das mitgelieferte Umhängeband dient ausschließlich dazu, das Gerät um den Hals zu tragen. Bei falscher Verwendung kann Strangulationsgefahr bestehen.

Lautstärke

- Bei Verwendung von Kopfhörern/Headsets achten Sie darauf, dass die Lautstärke auf Minimum eingestellt ist. Regeln Sie die Lautstärke erst nach Aufsetzen des Kopfhörers/Headsets.
Zu hohe Lautstärken und zu lange Hörzeiten können das Gehör schädigen. Hörschäden stellen immer eine irreversible Beeinträchtigung des Hörvermögens dar.
- Achten Sie stets auf eine angemessene Lautstärke. Als Faustformel gilt: je höher die Lautstärke, desto kürzer die Hörzeit. Laut Gesetz beträgt der maximal zulässige Wert 85 dB (Zimmerlautstärke) bei einer maximal zulässigen Hörzeit von 8 Stunden.
- Vorübergehende Anzeichen, dass Sie einem zu lauten Geräusch ausgesetzt waren, sind:
 - Klingel- oder Pfeifgeräusche in den Ohren
 - Hohe Töne können nicht mehr wahrgenommen werden

Fehlerbeseitigung / Reparatur

- Öffnen Sie nicht eigenmächtig das Gerät.
- Überlassen Sie alle Servicearbeiten nur autorisiertem Fachpersonal.

Reinigung

- Reinigen Sie das Gerät nur mit einem leicht feuchtem oder trockenem Tuch. Verwenden Sie niemals Lösungsmittel, da diese die Oberfläche beschädigen.

Akku, Batterien

- Der Taschenempfänger wird mit dem folgenden Akkutyp betrieben: BAT-3707, Lithium-Ionen, 3,7 V, 1,88 Ah, 6,96 Wh (Best.-Nr. 727.679)
- Verwenden Sie zum Laden des Akkus über die integrierte USB-Buchse Typ C nur ein USB 2.0/3.0 Standard konformes 5V-Netzteil (die Stromaufnahme beträgt max. 500 mA).
- Hohe Temperaturen, vor allem mit hohem Ladezustand, führen zu irreversiblen Schäden am Akku.
- Sollten Sie den Akku längere Zeit nicht verwenden bzw. lagern, empfiehlt es sich, den Akku auf ungefähr 50% der Ladung zu bringen und bei Temperaturen bis max. 30 °C zu lagern.
- Für den Transport zu Lande, Wasser und Luft wurde der im Taschenempfänger verwendete Akkupack gemäß der UN 38.3 Transportvorschrift für den Transport von Lithium-Ionen-Akkus getestet.
- Bei Missbrauch oder nicht ordnungsgemäßen Gebrauch kann der Akku beschädigt werden. In extremen Fällen besteht die Gefahr von:
Explosion, Hitze-, Feuer-, Rauch- oder Gasentwicklung.
- Setzen Sie den Akku niemals übermäßiger Wärme wie Sonnenschein, Feuer oder dergleichen aus.
- Setzen Sie den Akku keinem mechanischen Schock aus.
- Laden Sie den Akku vor dem erstmaligen Gebrauch.
- Laden Sie den Akku nur mit den dafür vorgesehenen

Ladegeräten.

- Vermeiden Sie eine Tiefentladung des Akkus. Der Akku könnte beschädigt werden und seine Lebensdauer kann sich verkürzen.
- Setzen Sie das Gerät mehrere Monate nicht ein, sollten Sie den Akku mindestens zweimal pro Jahr aufladen, um eine Verschlechterung in der Leistung durch Selbstentladung zu verhindern.
- Reinigen Sie verschmutzte Kontakte am Taschenempfänger mit einem trockenen sauberen Tuch.
- Schließen Sie den Akku nicht kurz.
- Die Ladkontakte können Sachbeschädigungen, Verletzungen oder Brandschäden verursachen, wenn die Kontakte mit leitenden Materialien wie Schmuck, Schlüsseln oder Ketten in Berührung kommen. Dies kann zu einem geschlossenen Stromkreis und dadurch zur Erhitzung des Materials führen. Um einen solchen ungewollten Stromkreis zu vermeiden, müssen die Ladkontakte mit Vorsicht behandelt werden. Dies gilt insbesondere dann, wenn der Empfänger in einer Tasche oder einem anderen Behälter zusammen mit metallischen Gegenständen transportiert wird.

Feuchtigkeit / Wärmequellen

- Halten Sie den Akku sauber und trocken. Setzen Sie das Gerät niemals Regen oder hoher Feuchtigkeit aus. Installieren Sie es daher nicht in unmittelbarer Nähe von Schwimmbädern, Duschanlagen, feuchten Kellerräumen oder sonstigen Bereichen mit außergewöhnlich hoher Luftfeuchtigkeit.
- Stellen Sie niemals mit Flüssigkeiten gefüllte Gegenstände (z.B. Vasen oder Trinkgläser) auf das Gerät.

Flüssigkeiten in den Geräten können einen Kurzschluss verursachen.

- Installieren und betreiben Sie das Gerät auch niemals in unmittelbarer Nähe von Heizkörpern, Beleuchtungsanlagen oder anderen wärmeerzeugenden Geräten.

Entsorgung

Dieses Symbol auf dem Produkt, in der Bedienungsanleitung oder auf der Verpackung bedeutet, dass Ihre elektrischen und elektronischen Geräte am Ende ihrer Lebensdauer gesondert vom Hausmüll entsorgt werden sollten. Es gibt getrennte Sammelsysteme für das Recycling in der EU. Für weitere Informationen wenden Sie sich bitte an die örtlichen Behörden oder an den Händler, bei dem Sie das Produkt erworben haben.



Vereinfachte EU-Konformitätserklärung

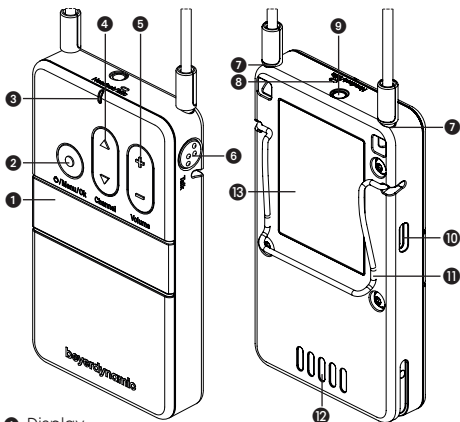
Hiermit erklärt beyerdynamic, dass das Funkübertragungsgerät die EU-Richtlinie 2014/53/EU (RED) erfüllt. Der vollständige Text der EU-Konformitätserklärung ist im Internet unter folgender Adresse zu finden:
<http://www.beyerdynamic.com/cod>

2. Lieferumfang

- Unite RP oder RP-T Taschenempfänger mit montiertem Gürtelclip
- Quick Start Guide
- Umhängeband
- Zwei Ersatzkappen für die Talkback-Taste

3. Bedienelemente

3.1 Gerät



1 Display

Das Display dient zur Anzeige des Kanalnamens, Batteriestatus und verschiedener Menüs.

2 Ein/Aus- und Menütaste

Schalten Sie den Taschenempfänger mit der Ein/Aus-Taste ein bzw. aus. Halten Sie die Taste zum Ausschalten 5 Sekunden gedrückt. Um in das Hauptmenü zu gelangen, drücken Sie die Taste für 2 Sekunden, wenn der Hauptbildschirm im Display angezeigt wird. Betätigen Sie die Menü-Taste, um Einstellungen zu bestätigen.

- 3 Statusanzeige
– während des Betriebs:

Anzeige	Betriebsstatus
Aus	Gerät ist ausgeschaltet
Gelbes langsames Blinken	<ul style="list-style-type: none"> • Betriebsbereit und Batteriestatus > 10 % • Außerhalb der Funkreichweite
Gelb	Nur bei RP-T: Verbindung hergestellt und Batteriestatus > 10%
Grün	<ul style="list-style-type: none"> • RP: Verbindung hergestellt und Batteriestatus > 10% • RP-T: Verbindung hergestellt, Talkback läuft und Batteriestatus > 10%
Rotes langsames Blinken	Geringer Batteriestand < 10%
Rot	<ul style="list-style-type: none"> • Gerät startet • Firmware Update läuft
Rotes schnelles Blinken	Kritischer Fehler

– im Ladegerät:

Anzeige	Ladestatus
Aus	Gerät ist ausgeschaltet
Grünes langsames Blinken	Ladebetrieb 0 - 100%
Grün	Akku ist geladen
Gelbes langsames Blinken	Kopplungsinformationen werden vom Sender/Ladegerät kopiert
10 Sekunden lang gelb	Geräteinformationen wurden erfolgreich auf Geräte kopiert
Rotes langsames Blinken für 10 Sek.	Kopplungsfehler
Grün/Gelbes schnelles Blinken	Gerät wird lokalisiert
Rotes schnelles Blinken	Fehler beim Laden

- 4 Multifunktionstaste
Mit dieser Taste können Sie das Kanalwahlmenü aufrufen und einen Kanal auswählen. Wenn Sie sich in einem Menü befinden, können Sie mit dieser Taste durch das Menü blättern und darin verschiedene Einstellungen vornehmen.
- 5 Lautstärketaste

Mit dieser Taste regulieren Sie die Lautstärke eines evtl. angeschlossenen Kopfhörers/Headsets/Induktionsschleife. Mit „+“ wird die Lautstärke erhöht, mit „-“ wird die Lautstärke reduziert. **Wichtig:** Beachten Sie die Sicherheitsinformationen bezüglich zu hoher Lautstärke.

- 6** Talkback-Taste (**nur bei RP-T**)
Mit dieser Taste können Sie über das interne Mikrofon oder über das Mikrofon eines angeschlossenen Headsets eine Rückfrage an den Gruppenführer stellen.
- 7** Befestigung für Umhängeband
Befestigen Sie das mitgelieferte Umhängeband, indem Sie die Zapfenstücke am Ende des Bands in die Befestigungslöcher stecken. Aus Sicherheitsgründen löst sich diese Befestigung wieder durch starkes Ziehen.
- 8** Integriertes Mikrofon (**nur bei RP-T**)
Das integrierte Mikrofon dient für **kurze** Rückfragen an den Gruppenführer. Halten Sie einen Sprechabstand von ca. 10 cm ein. **Für bestmögliche Audioübertragung, empfehlen wir ein externes Headset anzuschließen.**
- 9** Bei RP: Anschluss für Kopfhörer und Induktionsschleife
Bei RP-T: Anschluss für Kopfhörer/Headset/Induktionsschleife
- 10** USB-Anschluss, Typ C
Sie können diesen Anschluss zum Laden des integrierten Akkus mit einem USB-Netzteil verwenden. Außerdem können Sie den Taschenempfänger an die USB-Buchse Typ C eines Unite-Ladegerätes anschließen, um dieses mit anderen Geräten zu koppeln.
- 11** Gürtelclip
Mit dem Gürtelclip können Sie das Gerät an Kleidung wie z.B. an einem Hosenbund oder Gürtel befestigen.

12 Ladekontakte

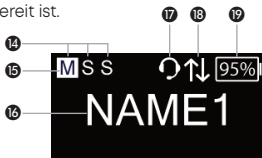
Über die Ladekontakte wird der integrierte Akku geladen, wenn das Gerät in das Ladegerät eingesetzt wird. Achten Sie darauf, dass Sie das Gerät vollständig in den Ladeschacht einsetzen, so dass die Ladekontakte richtig kontaktiert werden.

13 Typenschild

Das Typenschild gibt Auskunft über Name, Artikelnummer, FCC und IC Nummer, Hardware Version, Seriennummer und Produktionsdatum.

3.2 Display

Folgender Hauptbildschirm erscheint, wenn Sie den Taschenempfänger eingeschaltet haben und dieser betriebsbereit ist.



14 Anzeige aller aktiv angemeldeten Sprecher (Master, 1. Slave, 2. Slave)

15 Anzeige aktuelle Sprecherrolle (der Balken zeigt an, ob 1. oder 2. Slave)

16 Aktuell verwendeter Kanalname

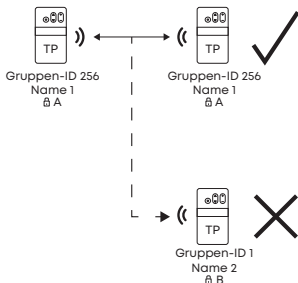
17 **Nur bei RP-T:**
Headset angeschlossen

18 Talkback-Funktion aktiviert

19 Anzeige Restkapazität der Batterie

4. Allgemeine Bedienung

- **Wichtig:** Vor der **ersten** Inbetriebnahme des Taschenempfängers müssen Sie den integrierten Akku aufladen. Hierfür können Sie passende Unite-Ladegeräte verwenden.
- Schließen Sie an den Klinkenanschluss **9** einen Kopfhörer oder eine Induktionsschleife an.
Bei der Variante **RP-T** können Sie statt des Kopfhörers auch ein Headset anschließen.
- Schalten Sie den Empfänger durch Drücken auf die Ein-/Austaste **2** ein.
- Die Lautstärke des Kopfhörers/Headsets/der Induktionsschleife regeln Sie mit der Lautstärketaste **5**.
- Alle Geräte werden werksseitig mit der Gruppen-ID 256 ausgeliefert. Dies ermöglicht einen schnellen und unproblematischen ersten Einsatz.
- Wenn Sie mehrere Gerätegruppen oder eine sicherere Audioübertragung benötigen, sodass andere Unite-Anwender Ihre Kommunikation nicht abhören können, müssen Sie eine Kopplung durchführen. Befolgen Sie dazu die Anweisungen in Kapitel 5 im Quick Start Guide des Unite TP Taschensenders.
Erst wenn die in diesem Kapitel genannten Einstellungen übereinstimmen, kann eine Kommunikation zwischen Sender und Empfänger stattfinden. Zu Empfängern, die nicht über dieselbe Kopplungsinformationen verfügen, findet keine Kommunikation statt. Dies veranschaulicht die nachfolgende Abbildung:



4.1 Auswahl eines Audiokanals

- Befinden sich in einer Gruppe mehrere Sender können Sie am Empfänger den Kanal des jeweiligen Senders auswählen. Wählen Sie mit der Multifunktionstaste **4** am Empfänger den gewünschten Kanal aus und bestätigen Sie die Auswahl durch kurzes Drücken auf die Ein-/Austaste **2**.

5. Technische Daten

HF-Frequenzbereich DECT	1880 - 1930 MHz, länderabhängig
Sendeleistung DECT	bis zu 250 mW (Spitze), länderabhängig
Reichweite DECT	bis zu 300 m bei Sicht- verbindung im Freien; die tatsächliche Reichweite hängt von der HF-Leis- tungseinstellung, der Um- gebung, der Signalab- sorption, -reflexion und -interferenz ab
Audiobandbreite	
Niedrige Qualität (SD)	200 Hz - 7 kHz (-3 dB)
Hohe Qualität (HD)	100 Hz - 14 kHz (-3 dB)
Betriebsart	Broadcast und/oder Voll duplex auf allen Strecken
Verschlüsselung	AES-256-Verschlüsselung
Anschluss Kopfhörer/Headset/ Induktionsschleife	
	4-pol. Miniklinke, 3,5 mm, CTIA Standard
Integriertes Mikrofon	ja
Display	Monochrom-weißes OLED Display mit hoher Kontraststärke
Max. Anzahl offene Mikrofon . .	3 (individuelle Pegelregler pro Mikrofon)
Akkupack	Lithium-Ionen-Akku, austauschbar nur durch Servicepersonal

Akkuüberwachung	Batteriestatusanzeige Restkapazität über OLED-Display
Akku-Betriebszeit	> 15 Stunden, typ.
Mithörlautstärke und Mikrofonverstärkung	individuell, einstellbar
USB Typ-C Anschluss	USB 2.0 Standard, nur mit 5V-Netzteilen kompatibel, Stromaufnahme max. 500 mA
Befestigung für Umhängeband	vorhanden, Umhänge- band abnehmbar
Abmessungen (B x H x T)	58 x 102 x 15,5 mm
Gewicht (inkl. Batterie)	105 g
Temperaturbereich	
im Betrieb	-10 bis +40 °C
Lagerung	-20 bis +70 °C
Relative Luftfeuchtigkeit	0 bis 90%

6. Service

Im Servicefall wenden Sie sich bitte an autorisiertes Fachpersonal oder direkt an:

beyerdynamic Service- und Logistik Center
E-Mail: service@beyerdynamic.de

Öffnen Sie das Gerät auf keinen Fall selbst, da Sie sonst alle Gewährleistungsansprüche verlieren.

www.beyerdynamic.com

beyerdynamic GmbH & Co. KG

Theresienstraße 8 · 74072 Heilbronn · Germany
Phone +49 7131 617-300 · info@beyerdynamic.de

For further distributors worldwide, please go to
www.beyerdynamic.com
Non-contractual illustrations.
Subject to change without notice.

Weitere Vertriebspartner weltweit finden Sie im Internet unter
www.beyerdynamic.com
Abbildungen nicht vertragsbindend.
Änderungen vorbehalten.

EN-DE-3 / Unite RP / 674.451 (08.18)

