

UNITE AP4

ACCESS POINT

INSTALLATION INSTRUCTIONS
MONTAGEANLEITUNG

Table of Contents

1. Safety instructions.....	6
2. Supplied accessories.....	8
3. Application.....	8
4. Connections and elements.....	9
5. Use.....	10
6. Installation.....	10
6.1 Mounting to a wall/ceiling.....	11
6.2 Mounting on a stand.....	13
6.3 Mounting on a VESA adapter plate.....	15
6.4 Use safety line.....	17
7. How to use several Unite AP.....	17
8. Technical specifications.....	18
9. QR codes.....	19
Dimensions.....	34

Inhaltsverzeichnis

1. Sicherheitsinformationen.....	20
2. Lieferumfang.....	22
3. Verwendung.....	22
4. Anschlüsse und Elemente.....	23
5. Inbetriebnahme.....	24
6. Montage.....	24
6.1 Montage an Wand/Decke.....	25
6.2 Montage auf einem Stativ.....	27
6.3 Montage auf VESA-Adapterplatte.....	29
6.4 Sicherungsleine verwenden.....	31
7. Mehrere Unite AP4 einsetzen.....	31
8. Technische Daten.....	32
9. QR Codes.....	33
Abmessungen.....	34

This device complies with Part 15 of the FCC Rules and with Industry Canada licence-exempt RSS standard(s). Operation is subject to the following two conditions: (1) this device may not cause harmful interference, and (2) this device must accept any interference received, including interference that may cause undesired operation.

Le présent appareil est conforme aux CNR d'Industrie Canada applicables aux appareils radio exempts de licence. L'exploitation est autorisée aux deux conditions suivantes: (1) l'appareil ne doit pas produire de brouillage, et (2) l'utilisateur de l'appareil doit accepter tout brouillage radioélectrique subi, même si le brouillage est susceptible d'en compromettre le fonctionnement.

This equipment has been tested and found to comply with the limits for a Class A digital device, pursuant to Part 15 of the FCC Rules. These limits are designed to provide reasonable protection against harmful interference when the equipment is operated in a commercial environment. This equipment generates, uses, and can radiate radio frequency energy and, if not installed and used in accordance with the instruction manual, may cause harmful interference to radio communications. Operation of this equipment in a residential area is likely to cause harmful interference in which case the user will be required to correct the interference at his own expense.

Changes or modifications made to this equipment not expressly approved by Beyerdynamic may void the FCC authorization to operate this equipment.







Radiofrequency radiation exposure Information:

For body worn operation, this equipment has been tested and meets the FCC RF exposure guidelines when used with the Beyerdynamic accessories supplied or designated for this product. Use of other accessories may not ensure compliance with FCC RF exposure guidelines.

Este produto está homologado pela Anatel, de acordo com os procedimentos regulamentados pela Resolução n.º 242/2000 e atende aos requisitos técnicos aplicados, incluindo os limites de exposição da Taxa de Absorção Específica referente a campos elétricos, magnéticos e eletromagnéticos de radiofrequência de acordo com as Resoluções n.º 303/2002 e 533/2009.

This device is granted pursuant to the Japanese Radio Law (電波法). This device should not be modified (otherwise the granted designation number will become invalid).

Compliance Information

Country	Approval
USA	 FCC ID: OSDUNITEAP4
Canada	IC: 3628C-UNITEAP4
Europe	The devices conforms to the EU guidelines (EMC) 2014/30/EU (LVD) 2014/35/EU (RED) 2014/53/EU as attested by the CE mark.  
Japan	 [R] 202-SMG007
China	 CMIIT ID:
Korea	

The Unite AP4 access point has been designed for the wireless Unite communication system from beyerdynamic. For detailed descriptions of its use, please refer to the operating instructions for the complete system, which can be downloaded from the internet at www.beyerdynamic.com/unite.

1. Safety instructions

1. Read these instructions.
2. Keep these instructions.
3. Heed all warnings.
4. Follow all instructions.
5. Do not use this device near water.
6. Clean only with a dry cloth.
7. Do not install near any heat sources such as radiators, heat registers, stoves, or other apparatus (including amplifiers) that produce heat.
8. Do not modify the power plug of the supplied power cable.
9. Protect the power cable from being pinched or bent.
10. Only use accessories specified by the manufacturer.
11. Unplug this apparatus during lightning storms or when unused for long periods of time.
12. Refer all servicing to qualified service personnel. Servicing is required when the apparatus has been damaged in any way, such as power supply cord or plug is damaged, liquid has been spilled or objects have fallen into the apparatus, the apparatus has been exposed to rain or moisture, does not operate normally, or has been dropped.

Disclaimer

- beyerdynamic GmbH & Co. KG will not be liable if any damage, injury or accident occurs due to negligent, incorrect or inappropriate operation of the product.

Location

- If you transport the equipment to another location take care to ensure that it is adequately secured and can never be damaged by being dropped or by impacts on the equipment.

Fire hazard

- Never place naked flames (e.g. candles) near the equipment.

Humidity / heat sources

- Never expose the equipment to rain or a high level of humidity. For this reason do not install it in the immediate vicinity of swimming pools, showers, damp basement rooms or other areas with unusually high atmospheric humidity.
- Never place objects containing liquid (e.g. vases or drinking glasses) on the equipment. Liquids in the equipment could cause a short circuit.
- Do not install near any heat sources such as radiators, heat registers, stoves or other apparatus (including amplifiers) that produce heat.

Connection

- Protect all cables from being walked on or pinched.
- Lay all connection cables so that they do not present a trip hazard.
- Whenever working on the inputs and outputs of the equipment switch off power.

- Check whether the connection figures comply with the existing mains supply. Serious damage could occur due to connecting the system to the wrong power supply. An incorrect mains voltage could damage the equipment or cause an electric shock.
- Please note that different operating voltages require the use of different types of power cable and plugs.

Please refer to the following table:

Voltage	Power plug according to standard
110 to 125 V	UL817 and CSA C 22.2 no 42.
220 to 230 V	CEE 7 page VII, SR section 107-2-D1/IEC 83 page C4.
240 V	BS 1363 (1984): "Specification for 13A fused plugs and switched and un-switched socket outlets."

- If the equipment causes a blown fuse or a short circuit, disconnect it from the mains and have it checked and repaired.
- Do not hold the power supply with wet hands. There must be no water or dust on the contact pins. In both cases you could receive an electric shock.
- The mains cable must be firmly connected. If it is loose there is a fire hazard.
- Always pull out the power supply from the mains and/or from the equipment by the plug – never by the cable. The cable could be damaged and cause an electric shock or fire.
- Do not use the equipment if the power supply is damaged.
- If you connect defective or unsuitable accessories, the equipment could be damaged. Only use connection cables available from or recommended by beyerdynamic. If you use cables you have made up yourself, all claim to warranty is null and void.
- In order to switch off the device disconnect the power plug from the power socket.

Disconnect

- For pluggable equipment, the socket-outlet shall be near the equipment and shall be easily accessible.

Wall/ceiling mounting

- Before mounting the Unite AP4 to the wall/ceiling, make sure that there are no electrical, or gas lines or water pipes behind the planned drilling locations. If necessary, check this with a line detector or ask an expert.

It is a significant hazard when electrical or gas lines or water pipes are damaged during drilling.

Maintenance

- Only clean the device with a slightly damp or dry cloth. Never use solvents as these damage the surface.

Trouble shooting / servicing

- Do not open the device without authorisation.
- Leave all service work to authorised expert personnel.

Switching off

- The device does not have a separate on-off switch. To turn power off, unplug the power cable from the AC/DC outlet. Make sure that you do not pull on the cable, but on the mains plug.

Ventilation

- Do not insert objects into the ventilation and other openings. You could damage the device and/or injure yourself.

Disposal

This symbol on the product, in the instructions or on the packaging means that your electrical and electronic equipment should be disposed at the end of its life separately from your household waste. There are separate collection systems for recycling in the EU. For more information, please contact the local authority or your retailer where you purchased the product.



Simplified EU declaration of conformity

beyerdynamic hereby declares that the wireless transmission device complies with the EU Directive 2014/53/EU (RED). The complete text of the EU declaration of conformity is available online at the following address: <http://www.beyerdynamic.com/cod>

Trademark

The Dante® word mark and logos are registered trademarks of Audinate Pty. Ltd and all use of these trademarks by beyerdynamic is licensed. Other trademarks and trade names are the property of the respective owners.

2. Supplied accessories

1 x Unite AP4	2 x Phoenix® plug-in terminal block, 2-row, 6-pin, contact spacing 3.5 mm
1 x Installation instructions	4 x Cover plates for mounting panel
1 x Power supply with power cable, depending on the country variant	4 x M5x10 screws
1 x Thread adapter 1/2" – 3/8"	4 x M5 nut

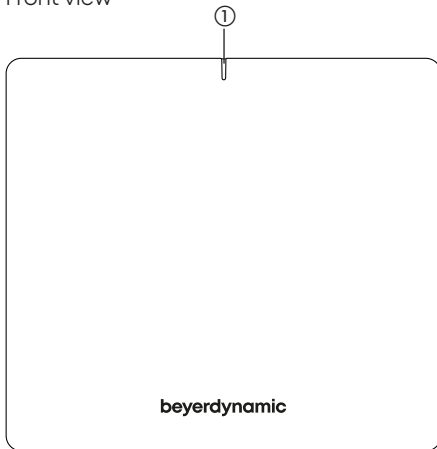
3. Application

The Unite AP4 access point is a multifunctional device with which you can implement different applications. The device is integrated into an existing network via an Ethernet cable. Depending on the configuration via the separate Unite Manager Software (operating instructions at www.beyerdynamic.com), the device works as a transmitter, receiver or transceiver.

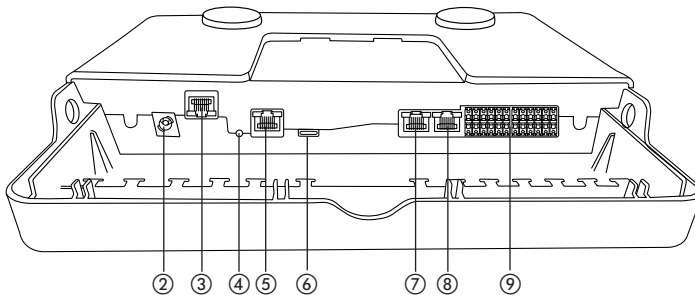
For each device there are a maximum of 4 DECT channels available. As the Unite AP4 can be cascaded, a maximum of 32 channels can be implemented with 8 devices.

4. Connections and elements

Front view



Rear view



- ① Status LED
- ② DC connection for the external, supplied power supply, 12 V DC / 3 A
Important: Use only the power supply supplied by beyerdynamic.
- ③ Dante® network connection with Power over Ethernet (PoE) function, RJ-45-socket
- ④ Reset button
- ⑤ LAN connection for configuration via the Unite Manager Software, RJ-45-socket
- ⑥ USB connection
- ⑦ Sync signal input to cascade several Unite AP4, RJ-45-socket
Attention: No Ethernet connection!
- ⑧ Sync signal output to cascade several Unite AP4, RJ-45-socket
Attention: No Ethernet connection!
- ⑨ Audio inputs/outputs, channel 1 - 4, Phoenix®-terminal block socket for use with supplied Phoenix terminal blocks, contact spacing 3.5 mm

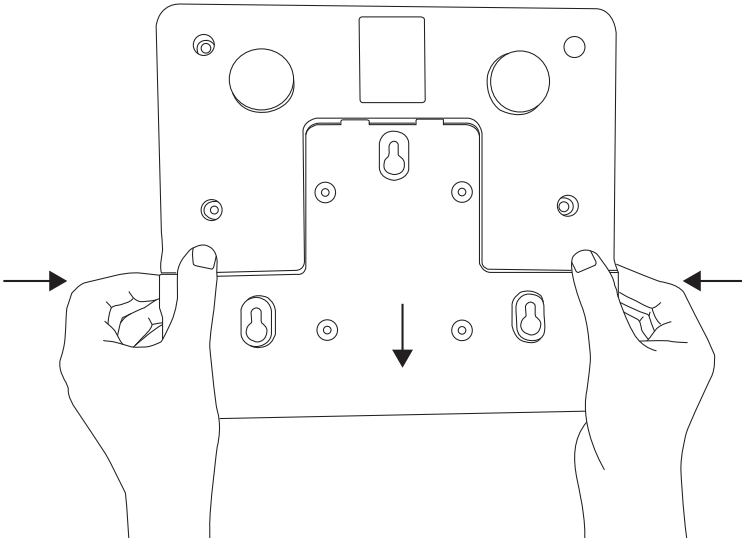
5. Use

You will find a detailed description of the use/configuration of the Unite AP4 in the separate manuals “Unite System Manual” and “Unite Manager Software”.

6. Installation

In order to install the Unite AP4 and to connect the cable, you must remove the mounting plate from the housing first. Please proceed as follows:

- Press the latches on the right and left hand side inwards.
- Remove the mounting panel downwards, refer also to the arrow in the drawing.



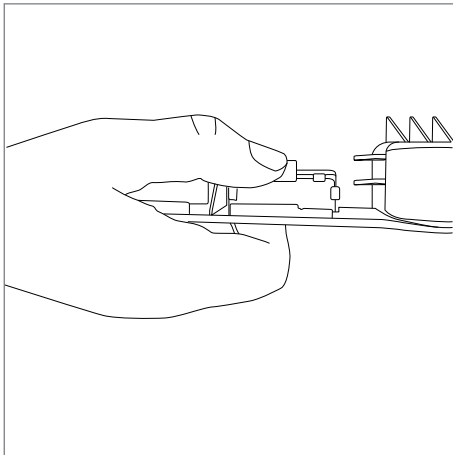
6.1 Mounting to a wall/ceiling

Caution:

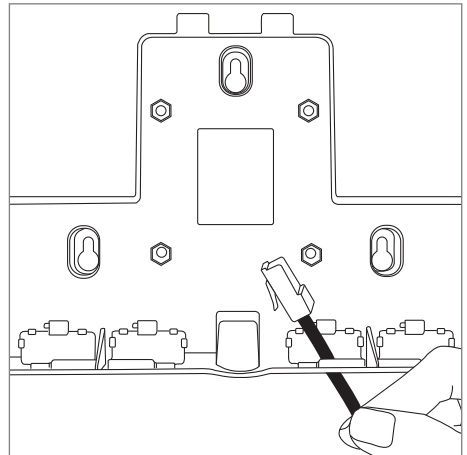
- Before mounting the Unite AP4 to the wall/ceiling, make sure that there are no electrical, or gas lines or water pipes behind the planned drilling locations. If necessary, check this with a line detector or ask an expert.
- It is a significant hazard when electrical or gas lines or water pipes are damaged during drilling.

Attention:

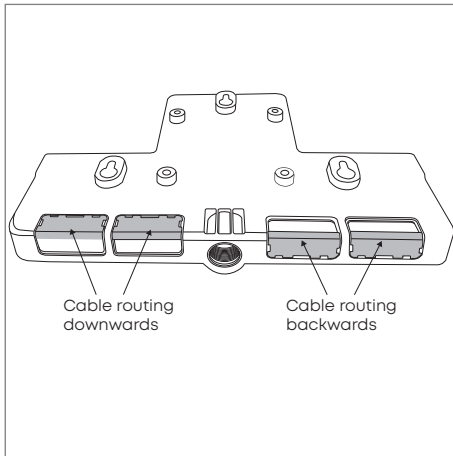
- For wall mounting, use appropriate wall plugs and screws.
Example: For a wooden wall use a universal screw, 4,5 x 30mm, pan head, e.g. WIROX®-0201010450303



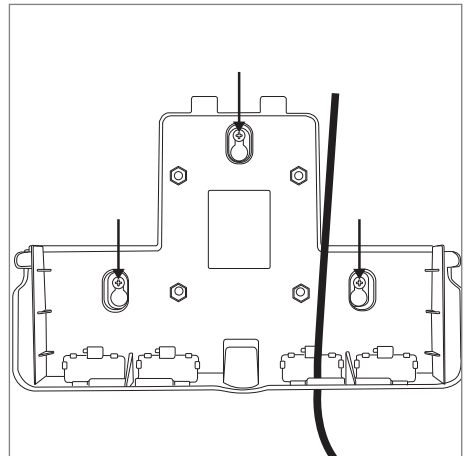
1. Remove the cover plates from the mounting panel by pressing the large latch.



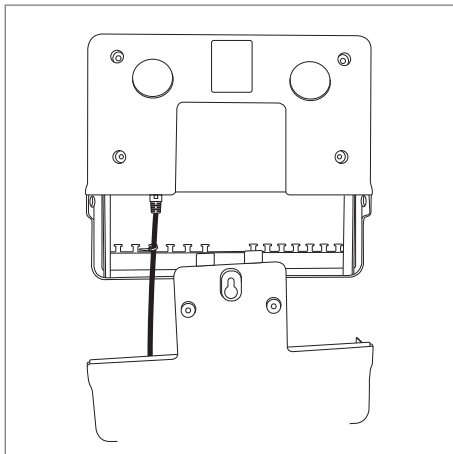
2. Route all required connecting cables through the openings of the mounting panel.



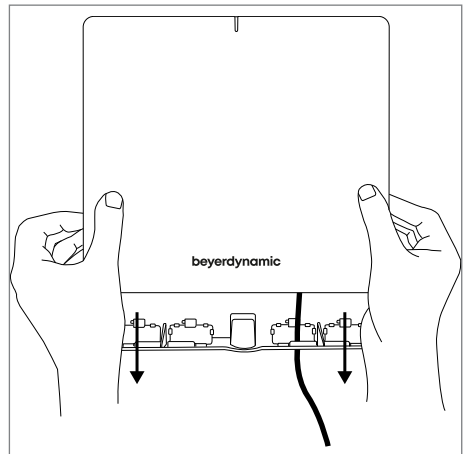
3. Mount the cover plates to the mounting panel according to the cable routing.



4. Mount the mounting panel to the wall or ceiling by using the three "keyhole openings" with appropriate screws.

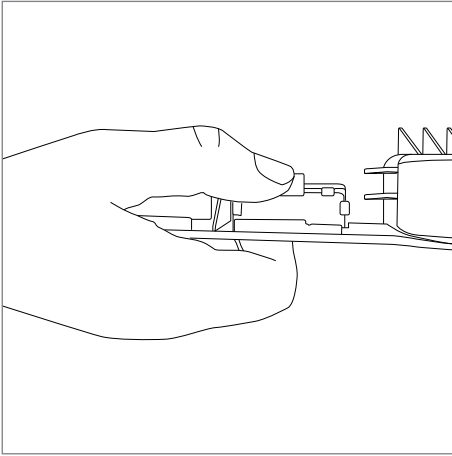


5. Connect the cables to the appropriate connections.

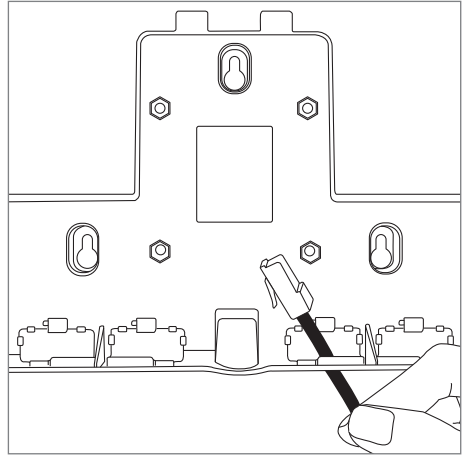


6. Put the device onto the mounting panel until the latches on the right and left hand side audibly click into place. Refer also to the installation instructions on the mounting panel.
Attention: Please make sure that the device is firmly mounted.

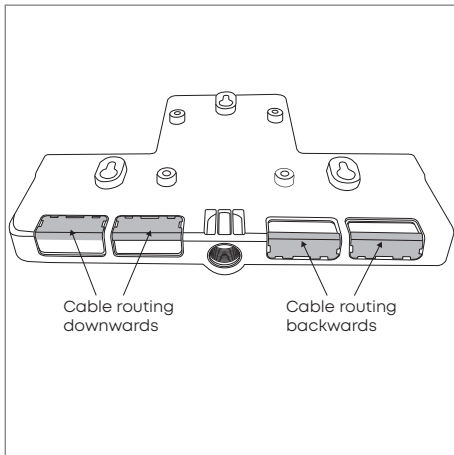
6.2 Mounting on a stand



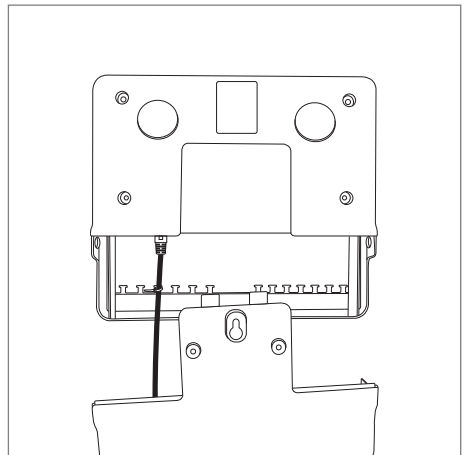
1. Press the cover plates on the large latch from the mounting panel.



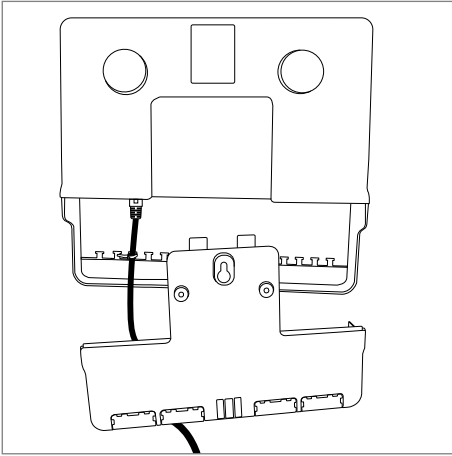
2. Route all required connecting cables through the openings of the mounting panel.



3. Attach the cover plates to the mounting panel according to the downward cable routing.

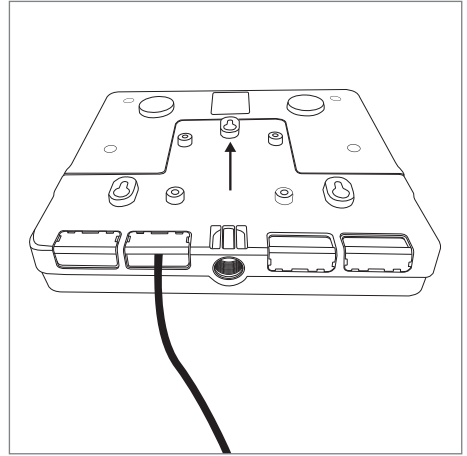


4. Connect the cables to the appropriate connections.

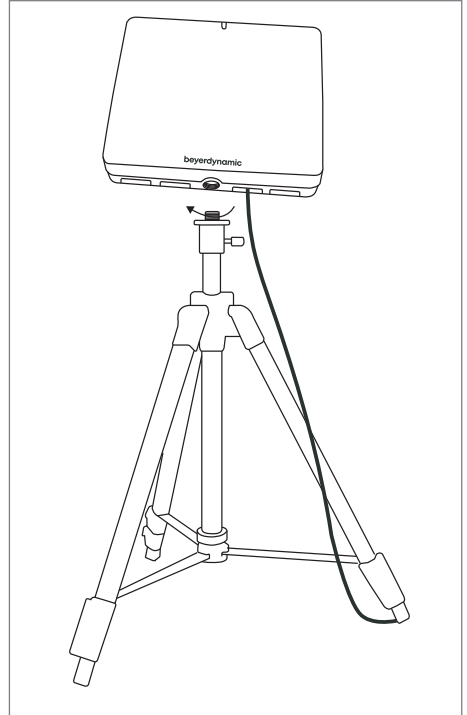


5. Attach the cable with a cable tie to the T-piece below the connection.

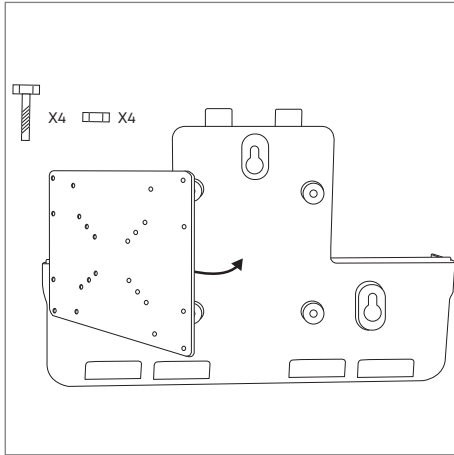
7. Mount the Unite AP4 on the thread of a tripod with 5/8 thread.
For tripods with a 1/2" or 3/8 thread, delivery includes an appropriate adapter.
Upon request, you can screw this adapter into the 5/8 thread with a flat-head screwdriver..



6. Replace the mounting panel until the latches on the right and left hand side audibly click into place.

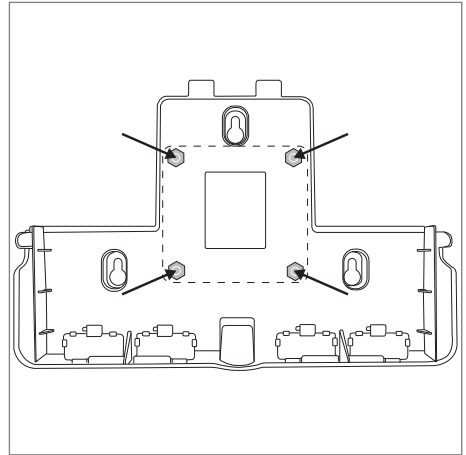


6.3 Mounting on a VESA adapter plate

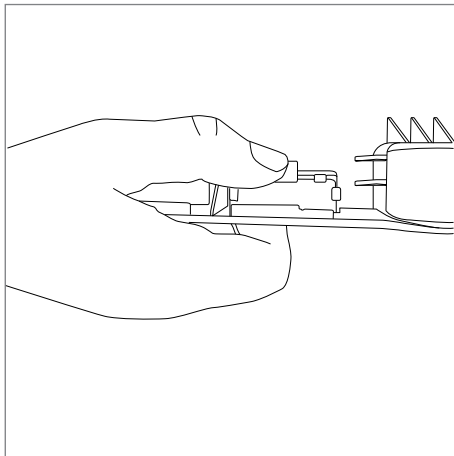


1. Attach a VESA 75 x 75 plate with 4 screws via the 4 holes to the mounting panel. The distances between the 4 holes are 75 mm each.

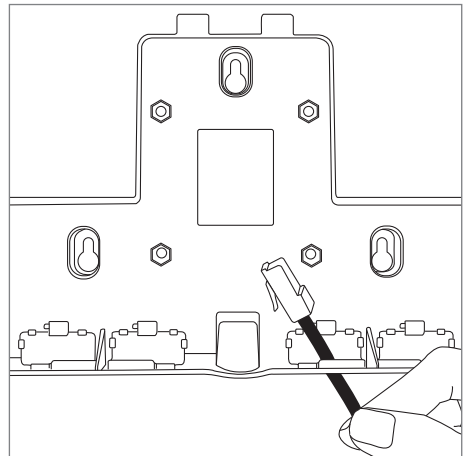
Attention: When selecting the screws, make sure that the screw is **flush** with the nut and **does not** protrude into the device.



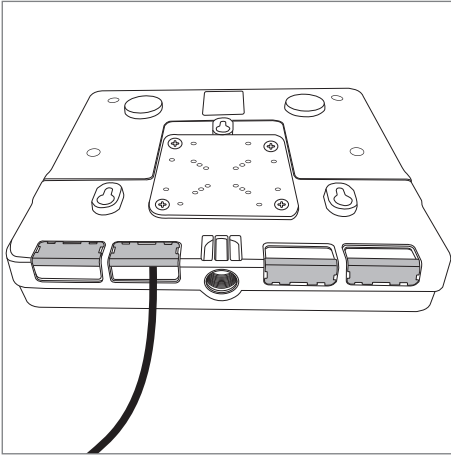
2. Fasten the 4 screws on the inside of the mounting panel with hex nuts. Size of the nut: M5



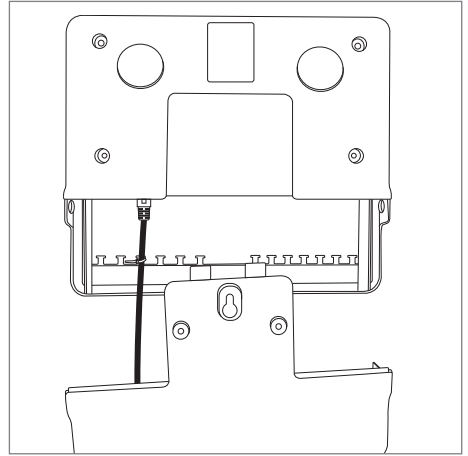
3. Remove the cover plates from the mounting panel by pressing the large latch.



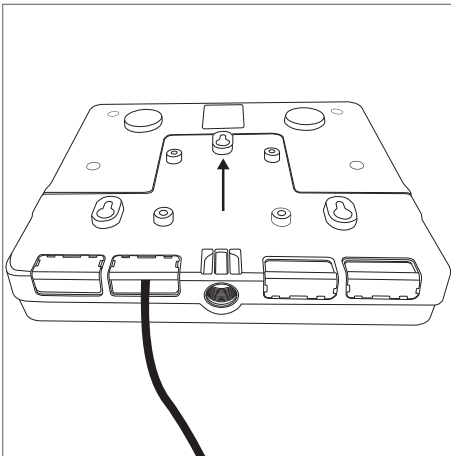
4. Route all required connecting cables through the openings of the mounting panel.



5. Mount the cover plates to the mounting panel according to the cable routing downwards.



6. Connect the cables to the appropriate connections.



7. Replace the mounting panel until the latches on the right and left hand side audibly click into place.

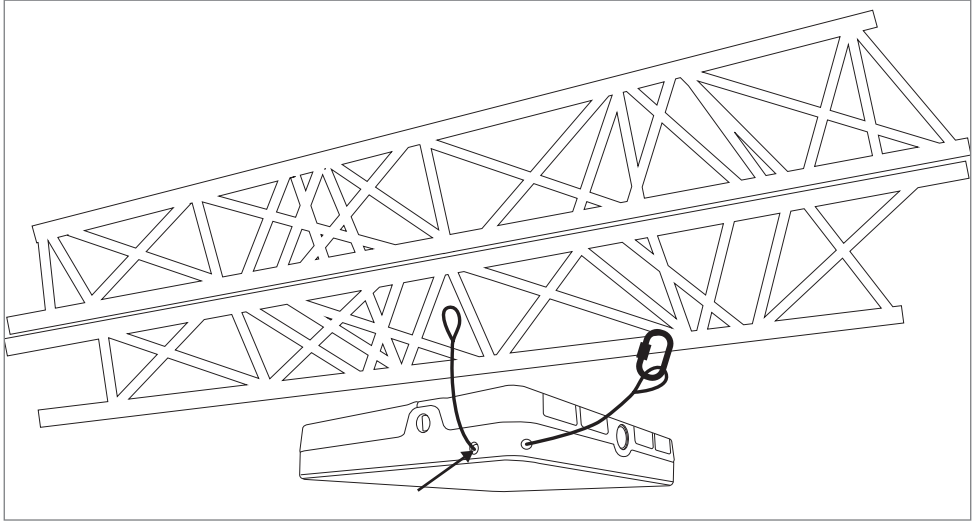
Attach the Unite AP4 to the desired place via the VESA plate.

Attention: Make sure that the device is firmly mounted.

6.4 Use safety line

The Unite AP4 has two openings through which you can route a safety line to secure the Unite AP4 additionally against falling down. This is especially recommended for installations on stage or ceilings.

For the preferred direction of threading, refer to the arrow in the drawing.



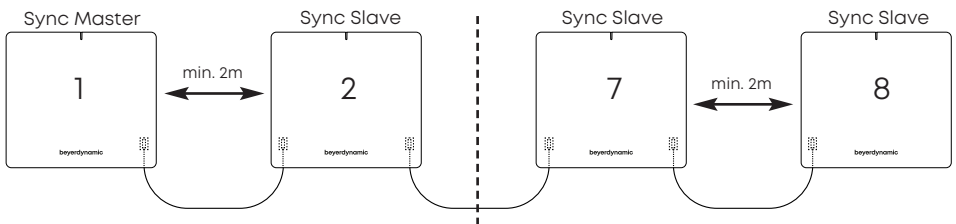
7. How to use several Unite AP

A maximum of 8 Unite AP4 can be connected with each other so that 32 channels can be sent, received or sent and received – depending on the configuration.

- To synchronise the devices, connect the sync signal output ⑧ of the first Unite AP4 to the sync signal input ⑨ of the second Unite AP4.
- Connect the Sync signal output ⑧ of the second Unite AP4 to the Sync signal input ⑨ of the third Unite AP4 etc.
- The first device acts as Sync Master, each additional device as Sync slave. The Sync Master specifies the sync signal on which the sync slaves synchronise.

Attention:

- If several Unite AP4 are used in one room, a minimum distance of 2 m must be maintained between the individual units to avoid radio disturbances.



8. Technical specifications

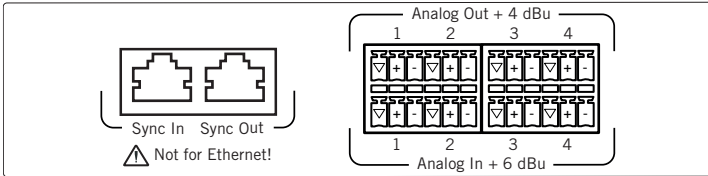
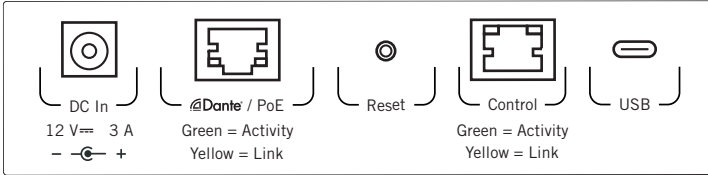
External power supply

Input voltage	90 – 264 V AC, 47-63 Hz
Input current	max. 0,8 A
Output voltage	12 V DC
Output current.....	3 A
Power cable	included, depending on the region

Unite AP4

DC input	12 V
Power consumption	max. 12 W
PoE input	12 W (PoE (IEEE 802.3af-2003)), 36 V - 57 V
Connections.....	Ethernet (RJ 45) USB-C DC input, DC 12 V Sync input (RJ 45) Sync output (RJ 45)
Digital audio.....	Dante® (RJ 45 with PoE)
Analog audio.....	Phoenix® socket, balanced, contact spacing 3.5 mm, two-rowed, 6-pin, balanced and shielded connecting cables required 4-channel In, max. +6 dBu / 1.55 V eff. 4-channel Out, max. +6 dBu / 1.55 V eff.
Indicator	Status LED
Mounting for Vesa mount.	75 x 75 mm
Mounting holes for safety rope	available (safety rope not included in the delivery)
Temperature range	
Operation.....	0 to +40 °C
Storage	-20 to +50 °C
Relative humidity	0 to 90%
Dimensions (L x W x H)	260 x 252 x 48 mm
Weight.....	860 g

Pin assignment



9. QR codes

Unite
Operating instructions



Unite
Landing page



Der Access Point Unite AP4 ist für das Drahtlos-System Unite von beyerdynamic vorgesehen. Detaillierte Beschreibungen zum Gebrauch entnehmen Sie bitte der Bedienungsanleitung des Gesamtsystems, welche Sie im Internet unter www.beyerdynamic.com/unite herunterladen können.

1. Sicherheitsinformationen

1. Bitte lesen Sie diese Anweisungen.
2. Bitte bewahren Sie diese Anweisungen auf.
3. Bitte beachten Sie alle Warnhinweise.
4. Folgen Sie allen Anweisungen.
5. Verwenden Sie dieses Gerät nicht in der Nähe von Wasser.
6. Reinigen Sie das Gerät nur mit einem trockenen Tuch.
7. Montieren Sie das Gerät nicht neben Hitzequellen wie Heizkörpern, Wärmespeichern, Öfen oder anderen Geräten (auch Leistungsverstärkern), die Hitze abstrahlen.
8. Nehmen Sie keine Veränderungen am Netzstecker des beigelegten Netzkabels vor.
9. Sichern Sie das Netzkabel gegen Einquetschen oder Abknicken.
10. Verwenden Sie nur das vom Hersteller benannte Zubehör für dieses Gerät.
11. Trennen Sie das Gerät vom Stromnetz, wenn ein Gewitter aufkommt oder wenn Sie es voraussichtlich für längere Zeit nicht verwenden werden.
12. Alle Wartungsarbeiten müssen von hierfür qualifizierten Servicemitarbeitern durchgeführt werden. Eine Wartung ist erforderlich, wenn das Gerät selbst oder dessen Netzkabel beschädigt wurde, Flüssigkeiten oder Gegenstände in das Gerät gelangt sind, das Gerät Regen oder starker Feuchtigkeit ausgesetzt wurde, das Gerät nicht ordnungsgemäß arbeitet oder es heruntergefallen ist.

Haftungsausschluss

- Die Firma beyerdynamic GmbH & Co. KG übernimmt keine Haftung für Schäden am Produkt oder Verletzungen von Personen aufgrund unachtsamer, unsachgemäßer, falscher oder nicht dem vom Hersteller angegebenen Zweck entsprechender Verwendung des Produkts.

Standort

- Wenn Sie das Gerät an einen anderen Ort transportieren, achten Sie darauf, dass es ausreichend gesichert ist und niemand durch ein eventuelles Herunterfallen oder Stoßen am Gerät verletzt werden kann.

Brandschutz

- Stellen Sie niemals offene Brandquellen (z.B. Kerzen) auf das Gerät.

Feuchtigkeit / Wärmequellen

- Setzen Sie das Gerät niemals Regen oder hoher Feuchtigkeit aus. Installieren Sie es daher nicht in unmittelbarer Nähe von Swimming Pools, Duschanlagen, feuchten Kellerräumen oder sonstigen Bereichen mit außergewöhnlich hoher Luftfeuchtigkeit.
- Stellen Sie niemals mit Flüssigkeiten gefüllte Gegenstände (z.B. Vasen oder Trinkgläser) auf das Gerät. Flüssigkeiten in den Geräten können einen Kurzschluss verursachen.
- Installieren und betreiben Sie das Gerät auch niemals in unmittelbarer Nähe von Heizkörpern, Beleuchtungsanlagen oder anderen wärmeerzeugenden Geräten.

Anschluss

- Verlegen Sie alle Kabel stets so, dass sie nicht durch scharfe Gegenstände geknickt oder gar durchgetrennt werden können.

- Verlegen Sie alle Anschlusskabel so, dass niemand darüber stolpern und sich verletzen kann.
- Schalten Sie bei allen Arbeiten an den Ein- und Ausgängen die Stromzufuhr aus.
- Überprüfen Sie, ob die Anschlusswerte mit der vorhandenen Netzstromversorgung übereinstimmen. Bei Anschluss des Systems an die falsche Stromversorgung können ernsthafte Schäden entstehen. Eine falsche Netzspannung kann das Gerät und Netzteil beschädigen oder einen elektrischen Schlag verursachen.
- Beachten Sie, dass für verschiedene Netzspannungen entsprechende Anschlusskabel erforderlich sind.

Siehe hierzu folgende Tabelle:

Spannung	Netzstecker nach Standard
110 bis 125 V	UL817 und CSA C 22.2 Nr. 42.
220 bis 230 V	CEE 7 Seite VII, SR Abschnitt 107-2-D1/IEC 83 Seite C4.
240 V	BS 1363 (1984): "Specification for 13A fused plugs and switched and un-switched socket outlets."

- Wenn durch das Gerät eine Sicherung defekt oder ein Kurzschluss verursacht wurde, nehmen Sie es vom Netz und lassen Sie es überprüfen und reparieren.
- Fassen Sie das Netzteil nicht mit nassen Händen an. An den Kontaktstiften darf sich kein Wasser oder Staub befinden. In beiden Fällen könnten Sie einen elektrischen Schlag erleiden.
- Das Netzkabel muss fest angeschlossen sein. Ist es lose, besteht Brandgefahr.
- Ziehen Sie das Netzteil immer am Stecker vom Netz und/oder vom Gerät - niemals am Kabel. Das Kabel könnte beschädigt werden und einen elektrischen Schlag oder Brand verursachen.
- Setzen Sie das Gerät nicht ein, wenn das Netzteil beschädigt ist.
- Wenn Sie defektes oder ungeeignetes Zubehör anschließen, kann das Gerät beschädigt werden. Verwenden Sie daher nur die von beyerdynamic lieferbaren oder empfohlenen Netzteile.
- Zum Trennen des Gerätes vom Netz ziehen Sie den Netzstecker aus der Netzsteckdose.

Vom Netz trennen

- Achten Sie darauf, dass die Netzsteckdose sich in der Nähe des Gerätes befindet und leicht zugänglich ist.

Wand-/Deckenmontage

- Bevor Sie den Unite AP4 an einer Wand/Decke befestigen, achten Sie darauf, dass sich hinter den geplanten Bohrstellen keine Elektro-, Gas- oder Wasserleitungen befinden. Prüfen Sie dies ggf. mit einem Leitungsdetektor oder fragen Sie einen Fachmann. Beim Bohren beschädigte Elektro-, Gas- oder Wasserleitungen stellen eine erhebliche Gefahr dar.

Reinigung

- Reinigen Sie das Gerät nur mit einem leicht feuchtem oder trockenem Tuch. Verwenden Sie niemals Lösungsmittel, da diese die Oberfläche beschädigen.

Fehlerbeseitigung / Reparatur

- Öffnen Sie nicht eigenmächtig das Gerät.
- Überlassen Sie alle Servicearbeiten nur autorisiertem Fachpersonal.

Ausschalten

- Das Gerät hat keinen separaten Ein-/Ausschalter. Wenn Sie das Gerät ausschalten möchten, ziehen Sie den Netzstecker aus der Netzsteckdose. Achten Sie darauf, dass Sie nicht am Kabel ziehen, sondern am Netzstecker.

Ventilation

- Stecken Sie keine Gegenstände in die Lüftungs- und andere Öffnungen. Sie könnten das Gerät beschädigen und/oder sich verletzen.

Entsorgung

Dieses Symbol auf dem Produkt, in der Bedienungsanleitung oder auf der Verpackung bedeutet, dass Ihre elektrischen und elektronischen Geräte am Ende ihrer Lebensdauer gesondert vom Hausmüll entsorgt werden sollten. Es gibt getrennte Sammelsysteme für das Recycling in der EU. Für weitere Informationen wenden Sie sich bitte an die örtlichen Behörden oder an den Händler, bei dem Sie das Produkt erworben haben.



Vereinfachte EU-Konformitätserklärung

Hiermit erklärt beyerdynamic, dass das Funkübertragungsgerät die EU-Richtlinie 2014/53/EU (RED) erfüllt. Der vollständige Text der EU-Konformitätserklärung ist im Internet unter folgender Adresse zu finden: <http://www.beyerdynamic.com/cod>

Warenzeichen

Die Dante® Wortmarke und Logos sind eingetragene Marken der Firma Audinate Pty. Ltd und jegliche Verwendung dieser Marken durch beyerdynamic ist lizenziert. Andere Marken und Handelsnamen gehören den jeweiligen Inhabern.

2. Lieferumfang

1 x Unite AP4	2 x Phoenix® steckbare Reihenklemme, 2-reihig, 6-polig, Rastermaß 3,5 mm
1 x Montageanleitung	4 x Abdeckplättchen für Montageplatte
1 x Netzteil mit Netzkabel, je nach Ländervariante	4 x M5x10 Schraube
1 x Gewindeadapter 1/2" – 3/8"	4 x M5 Mutter

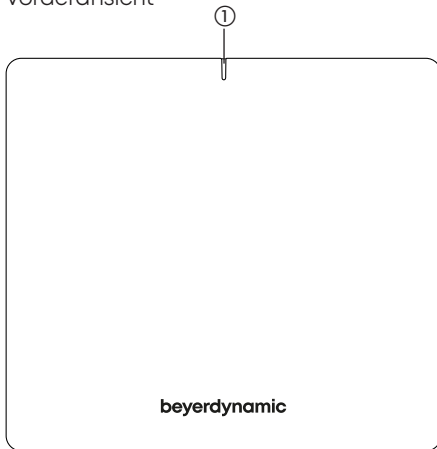
3. Verwendung

Der Access Point Unite AP4 ist ein Multifunktionsgerät mit dem verschiedene Anwendungen realisiert werden können. Das Gerät wird über ein Ethernetkabel in ein bestehendes Netzwerk eingebunden. Je nach Konfiguration über eine separate Software (Bedienungsanleitung unter www.beyerdynamic.com) arbeitet das Gerät als Sender, Empfänger oder als Sender/Empfänger (Transceiver).

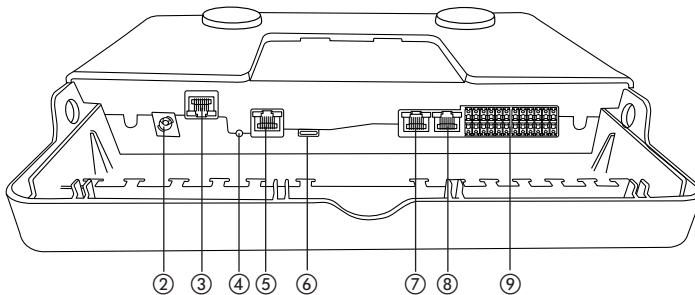
Pro Gerät stehen max. 4 DECT-Kanäle zur Verfügung. Da der Unite AP4 kaskadierbar ist, können mit 8 Geräten max. 32 Kanäle realisiert werden.

4. Anschlüsse und Elemente

Vorderansicht



Rückansicht



- ① Status-LED
- ② DC-Anschluss für externes, beigelegtes Netzteil, 12 V DC / 3 A
Wichtig: Verwenden Sie nur das von beyerdynamic beigelegte Netzteil.
- ③ Dante®-Netzwerkanschluss mit Power over Ethernet (PoE) Funktion, RJ-45-Buchse
- ④ Reset-Taste
- ⑤ LAN-Anschluss zur Konfiguration über die Unite Manager Software, RJ-45-Buchse
- ⑥ USB-Anschluss
- ⑦ Sync-Signaleingang zur Kaskadierung mehrerer Unite AP4, RJ-45-Buchse
Achtung: Kein Ethernet-Anschluss!
- ⑧ Sync-Signalausgang zur Kaskadierung mehrerer Unite AP4, RJ-45-Buchse
Achtung: Kein Ethernet-Anschluss!
- ⑨ Audio Ein-/Ausgänge, Kanäle 1 - 4, Phoenix®-Reihenklemmenbuchse zur Verwendung mit beigelegten Phoenix-Reihenklemmen, Rastermaß 3,5 mm

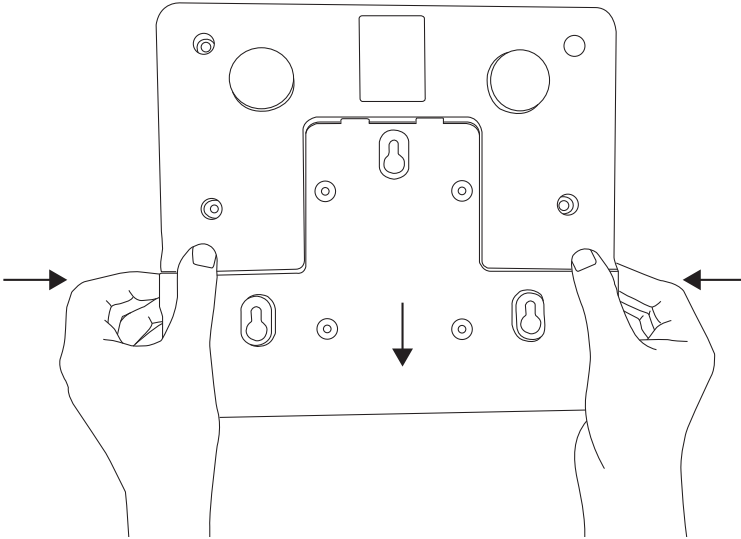
5. Inbetriebnahme

Eine detaillierte Beschreibung der Inbetriebnahme/Konfiguration des Unite AP4 finden Sie in den separaten Anleitungen „Unite Systemanleitung“ und „Unite Manager Software“.

6. Montage

Für die Montage des Unite AP4 und zum Anschluss der Kabel müssen Sie zunächst die Montageplatte vom Gehäuse abnehmen. Gehen Sie dabei wie folgt vor:

- Rechts und links die seitlichen Riegel nach innen drücken
- Montageplatte nach unten entnehmen, siehe Pfeilrichtung in Abbildung.



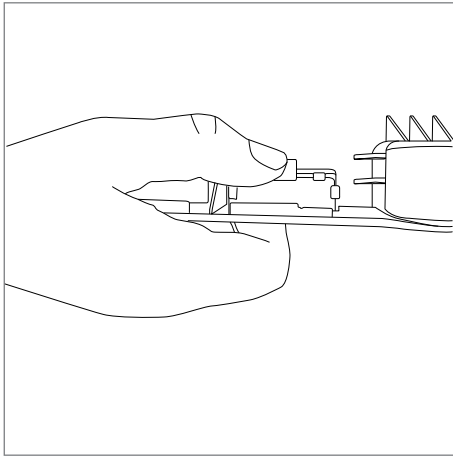
6.1 Montage an Wand/Decke

Vorsicht:

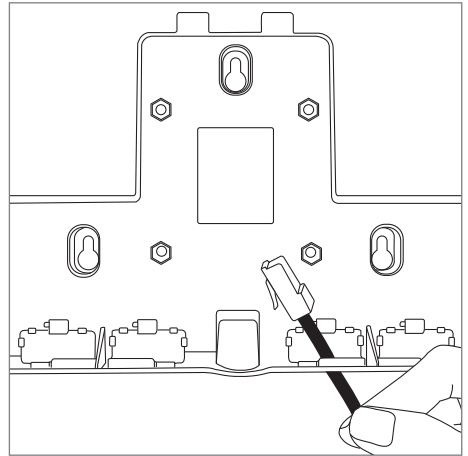
- Bevor Sie den Unite AP4 an einer Wand/Decke befestigen, achten Sie darauf, dass sich hinter den geplanten Bohrstellen keine Elektro-, Gas- oder Wasserleitungen befinden. Prüfen Sie dies ggf. mit einem Leitungsdetektor oder fragen Sie einen Fachmann. Beim Bohren beschädigte Elektro-, Gas- oder Wasserleitungen stellen eine erhebliche Gefahr dar.

Achtung:

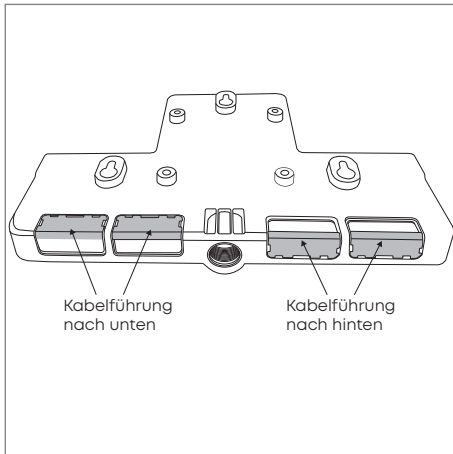
- Benutzen Sie für die Wandmontage die für die Wandbeschaffenheit entsprechenden Dübel und Schrauben.
Beispiel: Für eine Holzwand verwenden Sie Universalschrauben, 4,5 x 30 mm, Halbrundkopf, z.B. WIROX®-0201010450303



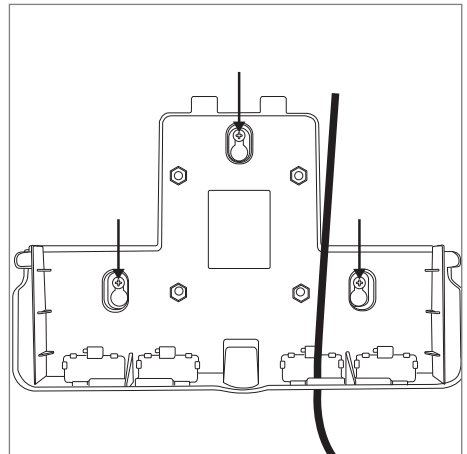
1. Drücken Sie Abdeckplättchen an der großen Rastnase von der Montageplatte heraus.



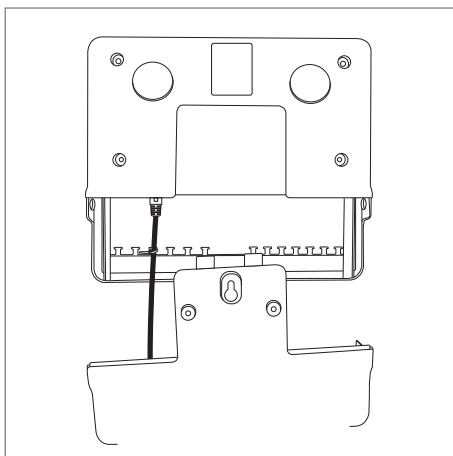
2. Führen Sie alle benötigten Anschlusskabel durch die Öffnungen der Montageplatte.



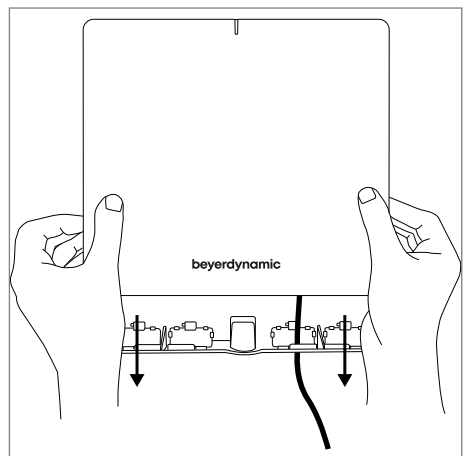
3. Befestigen Sie die Abdeckplättchen entsprechend der Kabelführung nach unten wieder an der Montageplatte.



4. Montageplatte über die drei „Schlüsseloch-Öffnungen“ an Wand oder Decke mit entsprechenden Schrauben befestigen.



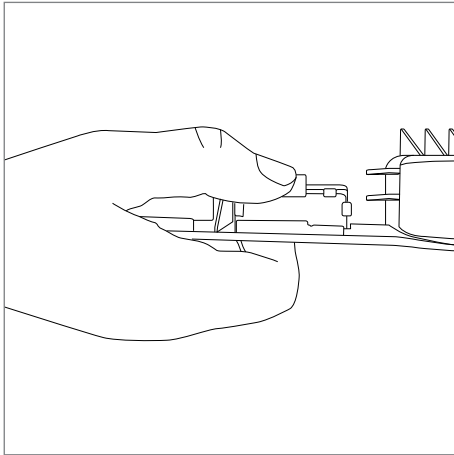
5. Schließen Sie die Kabel an den entsprechenden Anschlüssen an.



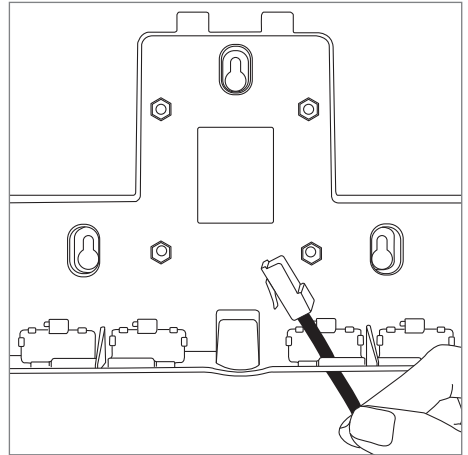
6. Setzen Sie die Montageplatte wieder ein bis die seitlichen Riegel hörbar einrasten. Siehe auch den Montagehinweis auf der Montageplatte.

Achtung: Bitte kontrollieren Sie, ob das Gerät fest montiert ist.

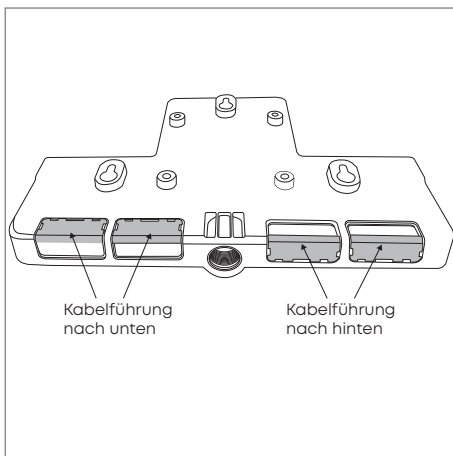
6.2 Montage auf einem Stativ



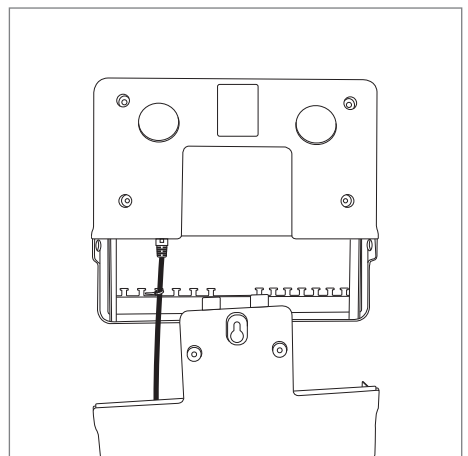
1. Drücken Sie Abdeckplättchen an der großen Rastnase von der Montageplatte heraus.



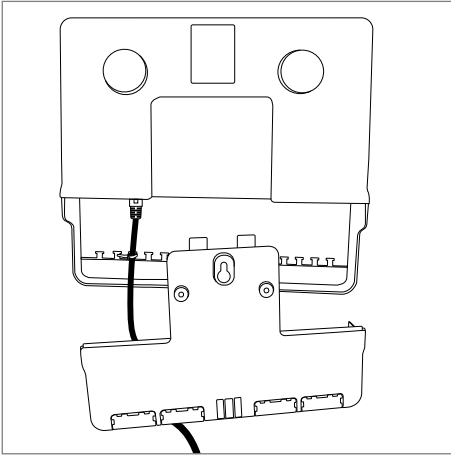
2. Führen Sie alle benötigten Anschlusskabel durch die Öffnungen der Montageplatte.



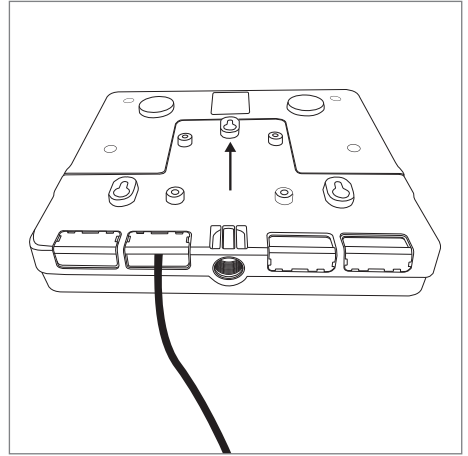
3. Befestigen Sie die Abdeckplättchen entsprechend der Kabelführung nach unten wieder an der Montageplatte.



4. Schließen Sie die Kabel an den entsprechenden Anschlüssen an.



5. Fixieren Sie das Kabel mit einem Kabelbinder am T-Stück unterhalb des Anschlusses.

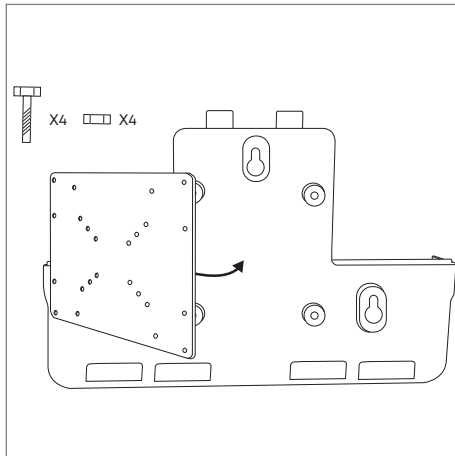


6. Setzen Sie die Montageplatte wieder ein bis die seitlichen Riegel hörbar einrasten.

7. Befestigen Sie den Unite AP4 über das Gewinde auf einem Stativ mit 5/8"-Gewinde.
Für Stative mit einem 1/2"- oder 3/8"-Gewinde ist im Lieferumfang ein entsprechendes Reduzierstück enthalten.
Bei Bedarf können Sie dieses Reduzierstück mit einem Schlitzschraubendreher in das 5/8"-Gewinde einschrauben.

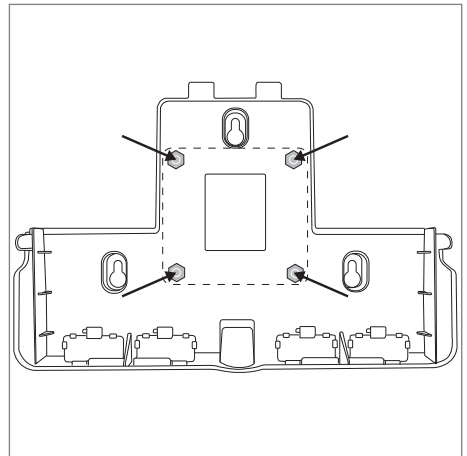


6.3 Montage auf VESA-Adapterplatte

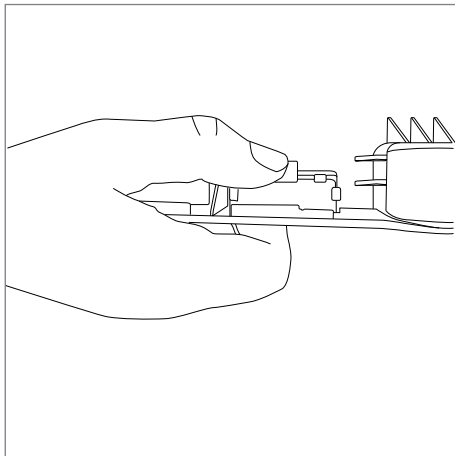


1. Befestigen Sie eine VESA 75x75 Platte mit 4 Schrauben über die 4 Löcher auf der Montageplatte. Die Abstände zwischen den 4 Löchern betragen jeweils 75 mm.

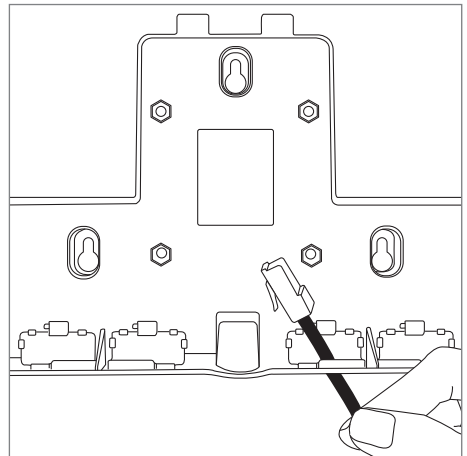
Achtung: Bei der Auswahl der Schrauben achten Sie bitte darauf, dass die Schraube mit der Mutter **bündig** abschließt und **nicht** ins Gerät hineinragt.



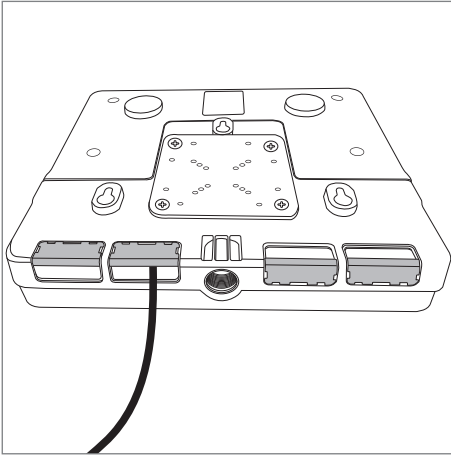
2. Auf der Innenseite der Montageplatte befestigen Sie die 4 Schrauben mit Sechskantmuttern befestigen. Größe der Mutter: M5



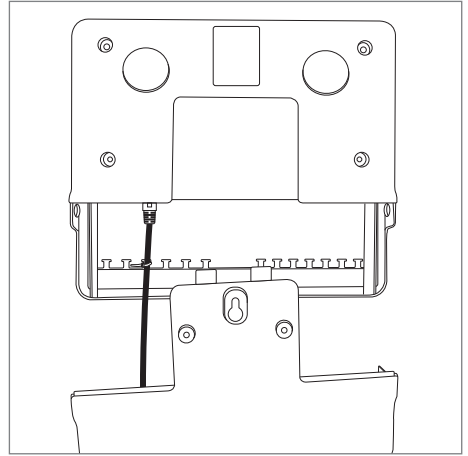
3. Drücken Sie Abdeckplättchen an der großen Rastnase von der Montageplatte heraus.



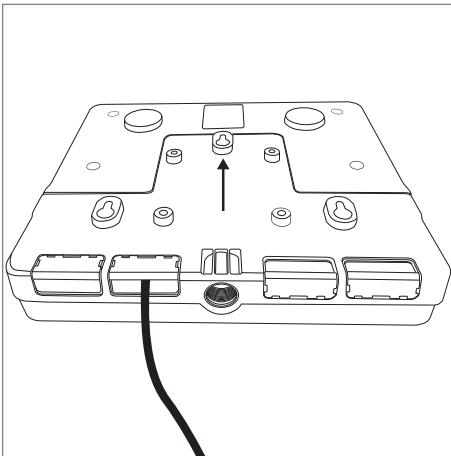
4. Führen Sie alle benötigten Anschlusskabel durch die Öffnungen der Montageplatte.



5. Befestigen Sie die Abdeckplättchen entsprechend der Kabelführung nach unten wieder an der Montageplatte.



6. Schließen Sie die Kabel an den entsprechenden Anschlüssen an.



7. Setzen Sie die Montageplatte wieder ein bis die seitlichen Riegel hörbar einrasten.

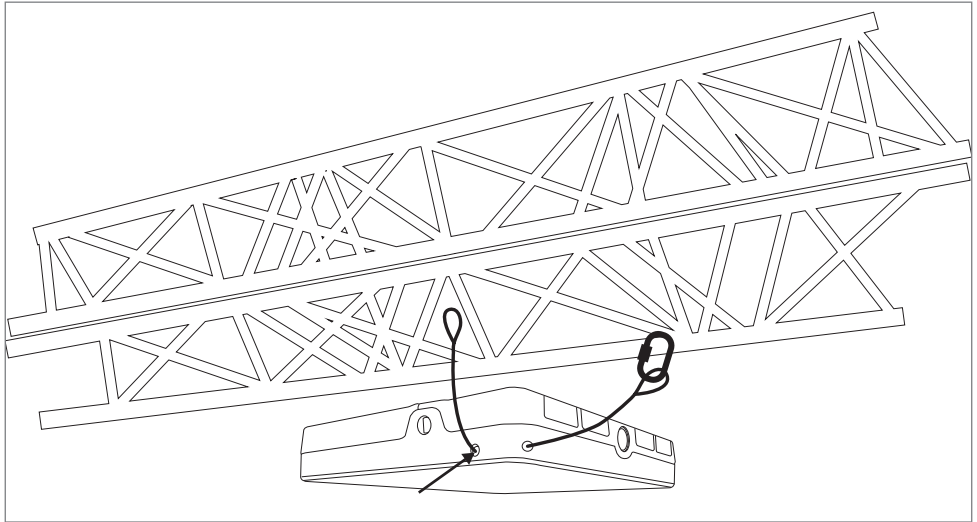
Befestigen Sie den Unite AP4 über die Vesa-Platte am gewünschten Montageplatz.

Achtung: Bitte kontrollieren Sie, ob das Gerät fest montiert ist.

6.4 Sicherungsleine verwenden

Der Unite AP4 verfügt über zwei Öffnungen durch die Sie eine Sicherungsleine führen und den Unite AP4 zusätzlich gegen Herunterfallen sichern können. Dies empfiehlt sich insbesondere bei Installationen auf der Bühne oder an der Decke.

Für die Vorzugsrichtung zum Einfädeln siehe die Pfeilrichtung in der Abbildung.



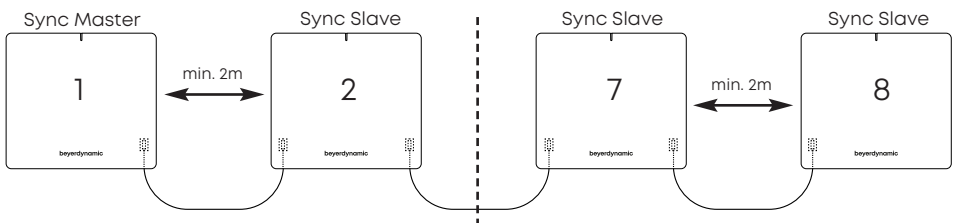
7. Mehrere Unite AP4 einsetzen

Maximal können 8 Unite AP4 miteinander verbunden werden, so dass auf 32 Kanälen gesendet, empfangen oder gesendet und empfangen werden kann – je nach Konfiguration.

- Um die Geräte miteinander zu synchronisieren, verbinden Sie den Sync Signalausgang ⑧ des ersten Unite AP4 mit dem Sync Signaleingang ⑨ des zweiten Unite AP4 .
- Verbinden Sie den Sync Signalausgang ⑧ des zweiten Unite AP4 mit dem Sync Signaleingang ⑨ des dritten Unite AP4 usw.
- Das erste Gerät fungiert als Sync Master, jedes weitere Gerät als Sync Slave. Der Sync Master gibt das Sync Signal vor, auf welchem sich die Sync Slaves synchronisieren.

Achtung:

- Werden mehrere Unite AP4 in einem Raum eingesetzt, muss zwischen den einzelnen Geräten jeweils ein Mindestabstand von 2 m eingehalten werden, um Funkstörungen zu vermeiden.



8. Technische Daten

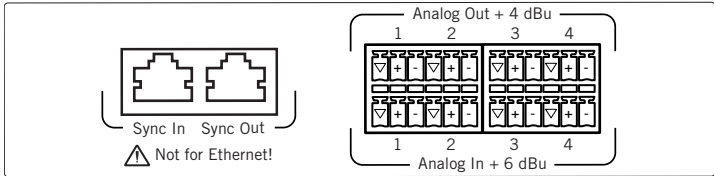
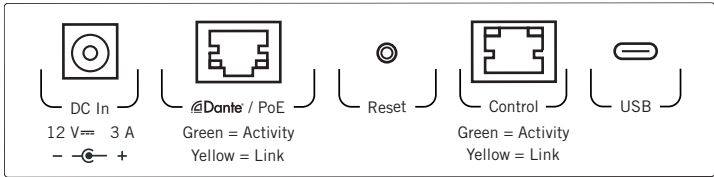
Externes Netzteil

Eingangsspannung	90 – 264 V AC, 47-63 Hz
Eingangsstrom.....	max. 0,8 A
Ausgangsspannung	12 V DC
Ausgangsstrom.....	3 A
Netzkabel.....	je nach Region beigelegt

Unite AP4

DC-Eingang	12 V
Leistungsaufnahme	max. 12 W
PoE-Eingang.....	12 W (PoE (IEEE 802.3af-2003)), 36 V - 57 V
Anschlüsse	Ethernet (RJ 45)
	USB-C
	DC-Eingang, DC 12 V
	Sync-Eingang (RJ 45)
	Sync-Ausgang (RJ 45)
Digital Audio.....	Dante® (RJ 45 mit PoE)
Analog Audio	Phoenix®-Buchse, symmetrisch, Rastermaß 3,5 mm, zweireihig, 6-polig, symmetrische und geschirmte Anschlusskabel notwendig 4 Kanal In, max. +6 dBu / 1,55 V eff. 4 Kanal Out, max. +6 dBu / 1,55 V eff.
Anzeige.....	Status-LED
Befestigung für Vesa-Mount	75 x 75 mm
Befestigungsöffnungen für Sicherungsleine.....	vorhanden (Sicherungsleine nicht im Lieferumfang enthalten)
Temperaturbereich	
im Betrieb.....	0 bis +40 °C
Lagerung	-20 bis +50 °C
Relative Luftfeuchtigkeit.....	0 bis 90%
Abmessungen (L x B x H)	260 x 252 x 48 mm
Gewicht	860 g

Anschlussbelegung



9. QR Codes

Unite
Systemanleitung



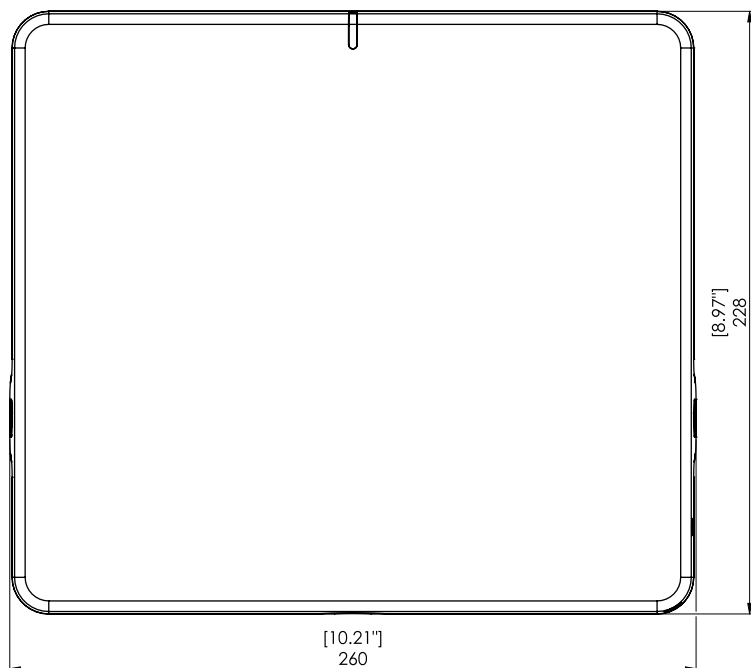
Unite
Landing Page



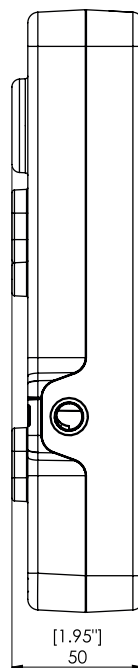
Dimensions / Abmessungen

All dimensions in mm and [inch]. / Alle Angaben in mm und [Zoll].

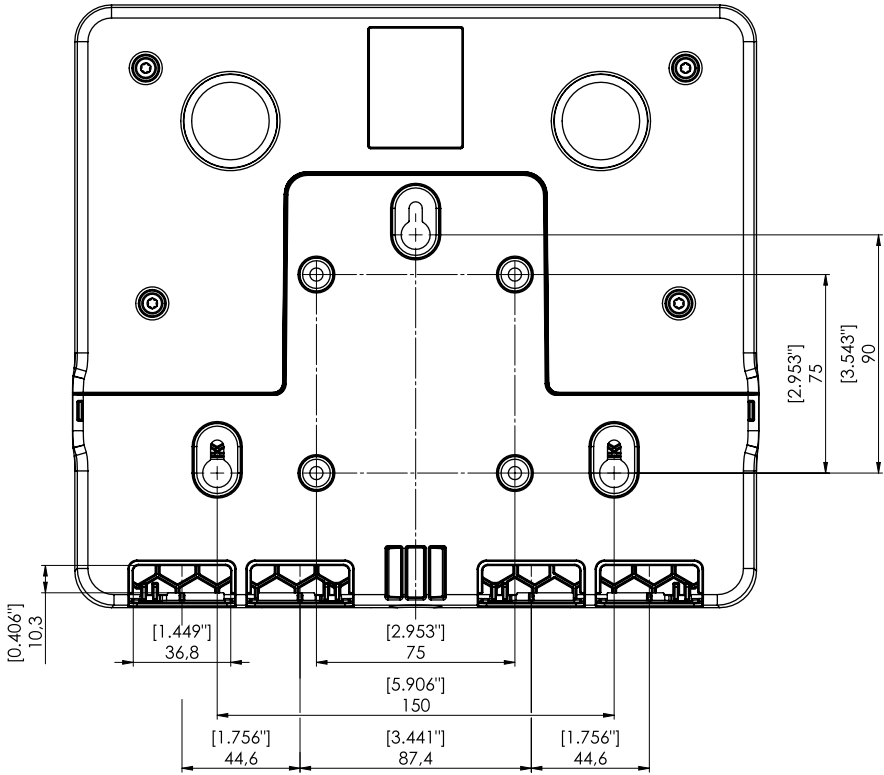
Front view / Vorderansicht



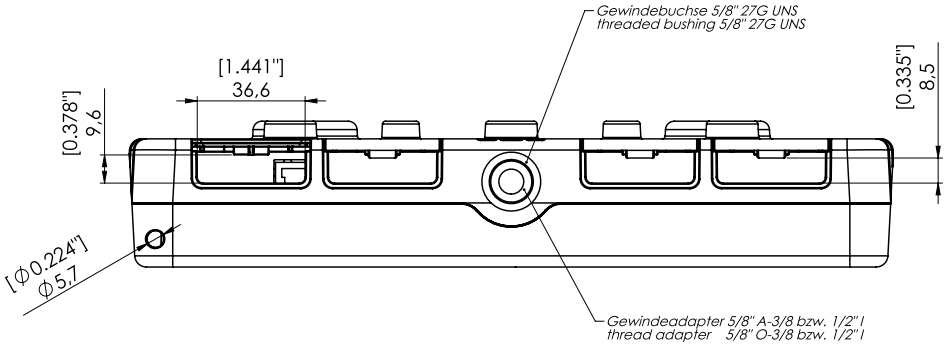
Side view /
Seitenansicht



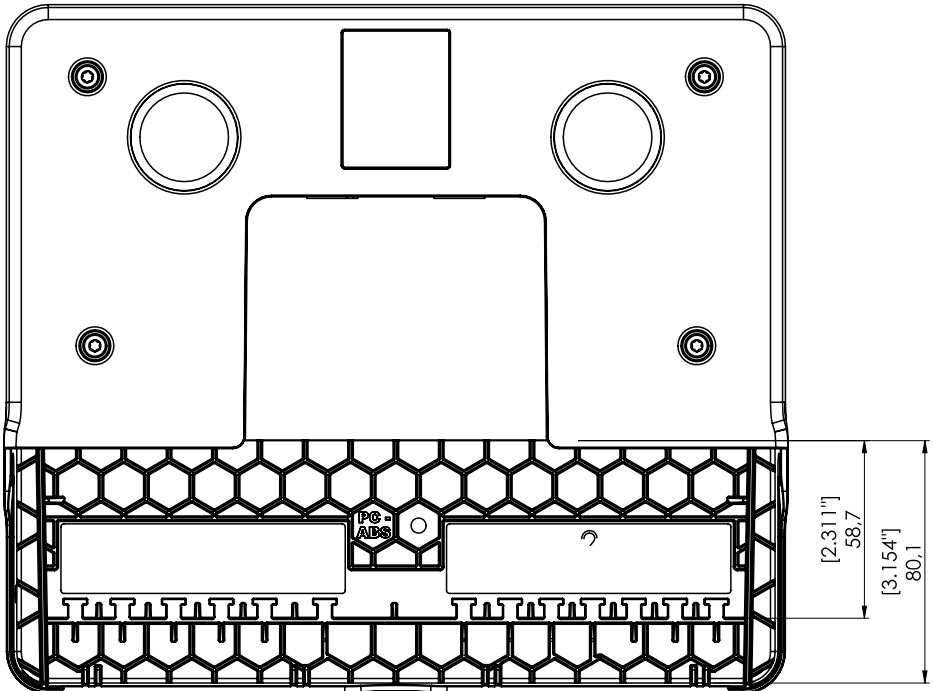
Rear view - horizontal cable outlet / Rückansicht - horizontaler Kabelabgang



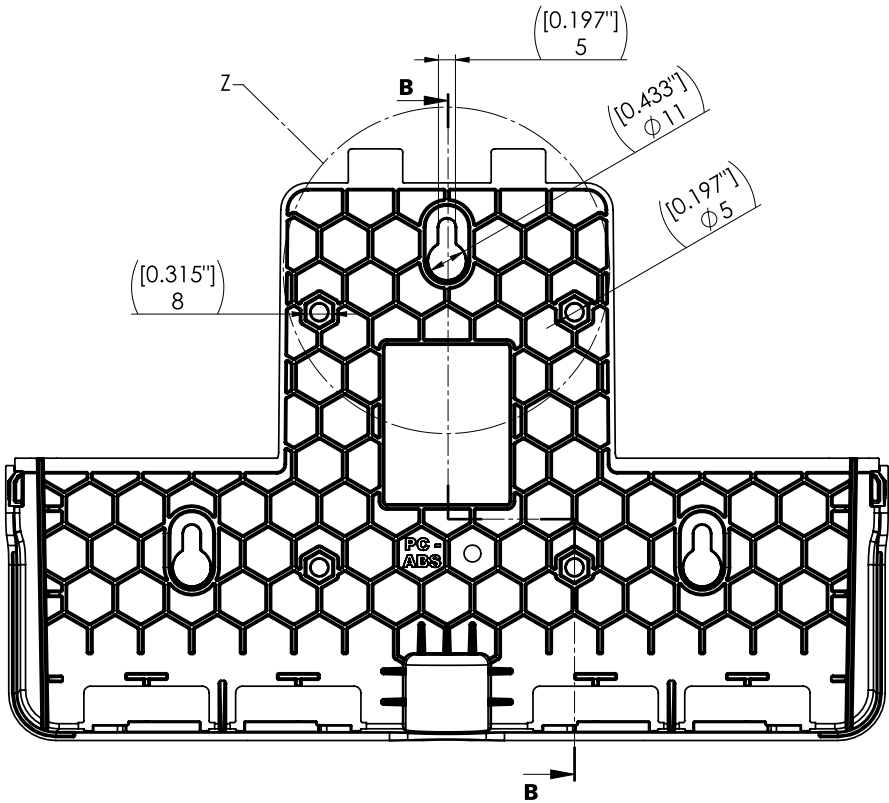
Bottom view - vertical cable outlet / Unteransicht - vertikaler Kabelabgang



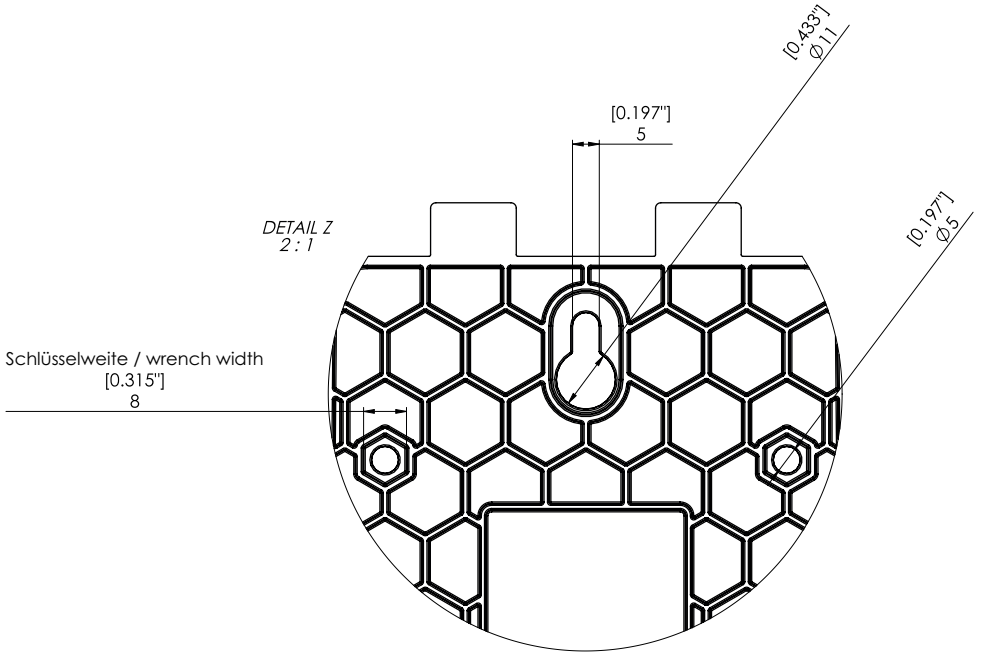
Rear view with removed mounting plate - cable duct / Rückansicht bei abgenommener Montageplatte - Kabelschacht



Dimensions of mounting holes for wall mounting and for VESA adapter plate /
Abmessungen Befestigungslöcher für Wandmontage und für VESA-Adapterplatte

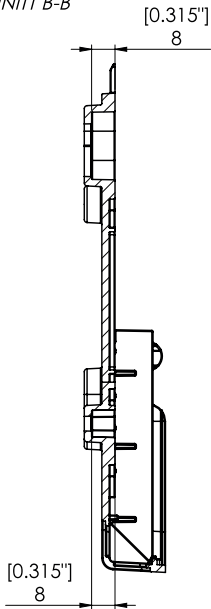


Dimensions of mounting holes for wall mounting and for VESA adapter plate in detail /
Abmessungen Befestigungslöcher für Wandmontage und für VESA-Adapterplatte im Detail



Side view mounting plate /
Seitenansicht Montageplatte

SCHNITT B-B



www.beyerdynamic.com

beyerdynamic GmbH & Co. KG
Theresienstraße 8 · 74072 Heilbronn · Germany
Phone +49 7131 617-300 · info@beyerdynamic.de

For further distributors worldwide, please go to www.beyerdynamic.com
Non-contractual illustrations. Subject to change without notice.

Weitere Vertriebspartner weltweit finden Sie im Internet unter www.beyerdynamic.com
Abbildungen nicht vertragsbindend. Änderungen vorbehalten.

EN-DE 1 / Unite AP4 / 679.240 (04.19)

