

# Project NOUGAT

beyerdynamic

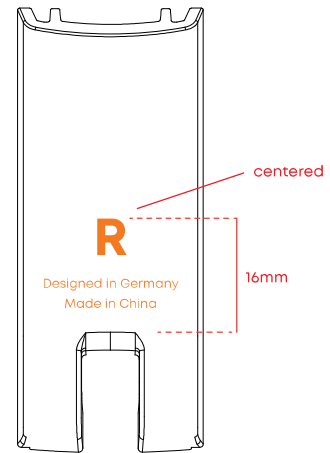
Product Graphics: on RIGHT side on the inner headband part

finish: lasered

Model 1 Black Blue - please use sample 2 and Model 2 Tobacco - please use sample 9

DATE: 28th August 2018

VERSION 5.0 , J.Eckstein/M.Jörgensen, Product Design



**R**

Designed in Germany  
Made in China



				Freimaßtoleranz	Paßmaße in mm	Für diese Zeichnung behalten wir uns alle Rechte vor.	
						Projekt Nougat	
						Adobe Illustrator	
				2018	Tag	Name	Reprovorlage
				Bearb. Gepr.	25.06.18	Jörgensen	
1	-	-	-	<b>beyerdynamic</b>		202 054	Maßstab <b>1:1</b>
Ausg.	Änderung	Tag	Name			Ersatz für	Ersetzt durch

# Project NOUGAT

beyerdynamic

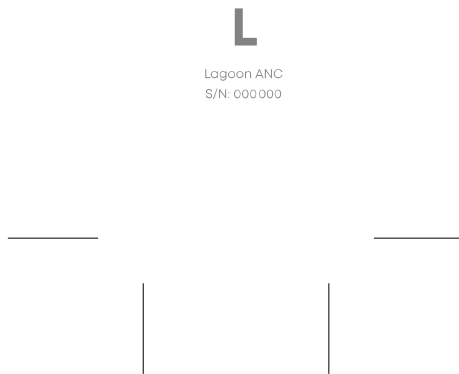
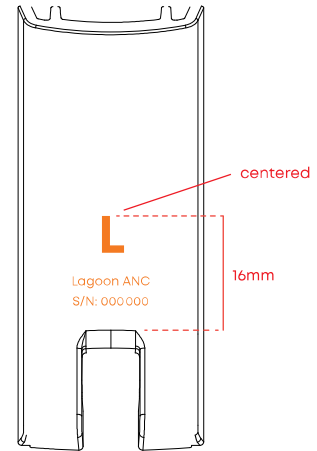
Product Graphics: on LEFT side on the inner headband part

finish: lasered

Model 1 Black Blue - please use sample 2 and Model 2 Tobacco - please use sample 9

DATE: 28th August 2018

VERSION 5.0 , J.Eckstein/M.Jörgensen, Product Design



				Freimaßtoleranz	Paßmaße in mm	Für diese Zeichnung behalten wir uns alle Rechte vor.	
						Projekt Nougat	
						Adobe Illustrator	
				2018	Tag	Name	Reprovorlage
				Bearb	25.06.18	Jörgensen	
				Gepr.			
1	-	-	-	<b>beyerdynamic</b>		202 055	Maßstab
Ausg.	Änderung	Tag	Name			Ersatz für	Ersetzt durch
							1:1

# Project NOUGAT

beyerdynamic

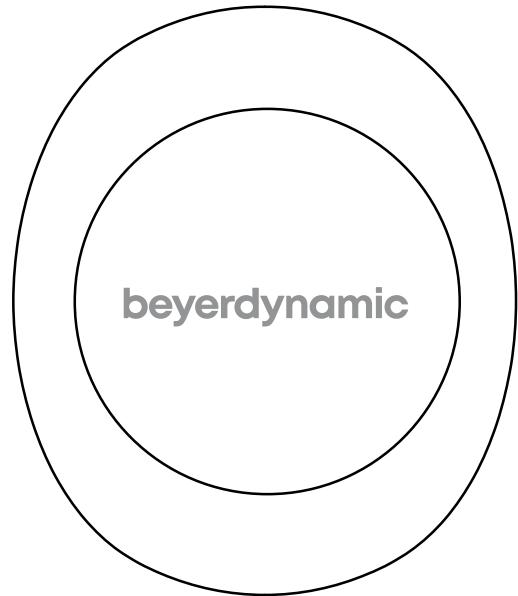
BRANDING: on LEFT side on the earcup

finish: printing

Model 1 - printing color: Medium Grey / S10, like Hinge from Tonly (sample 4) Model 2 - printing color Pantone 423 U

DATE: 28th August 2018

VERSION 5.0 , J.Eckstein/M.Jörgensen, Product Design



beyerdynamic

				Freimaßtoleranz	Paßmaße in mm	Für diese Zeichnung behalten wir uns alle Rechte vor.	
						Projekt Nougat	
						Adobe Illustrator	
				2018	Tag	Name	Reprovorlage
				Bearb	25.06.18	Eckstein/ Jörgensen	
				Gepr.			
1	-	-	-	<b>beyerdynamic</b>		202 056	Maßstab
Ausg.	Änderung	Tag	Name			Ersatz für	Ersetzt durch
							1:1

# Project NOUGAT

beyerdynamic

Product Graphics: **Product name:** on trim part on headband (left and right side)

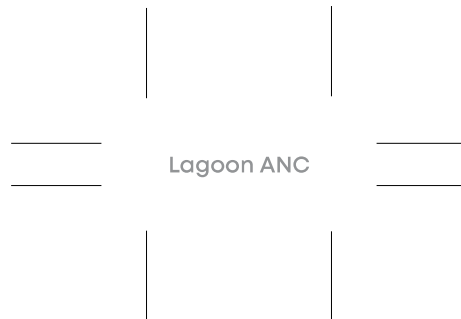
finish: printing

**Model 1** - color: Medium Grey / S10 like Hinge from Tonly, **Model 2** - color: **Pantone 423 U**

DATE: 28th August 2018

VERSION 5.0 , J.Eckstein/M.Jörgensen, Product Design

Lagoon ANC



				Freimaßtoleranz	Paßmaße in mm	Für diese Zeichnung behalten wir uns alle Rechte vor.	
						Projekt Nougat	
						Adobe Illustrator	
				2018	Tag	Name	Reprovorlage
				Bearb	25.06.18	Eckstein/ Jörgensen	
				Gepr.			
1	-	-	-	<b>beyerdynamic</b>		202 057	Maßstab
<b>Ausg.</b>	Änderung	Tag	Name			Ersatz für	Ersetzt durch
							<b>1:1</b>



# Project NOUGAT

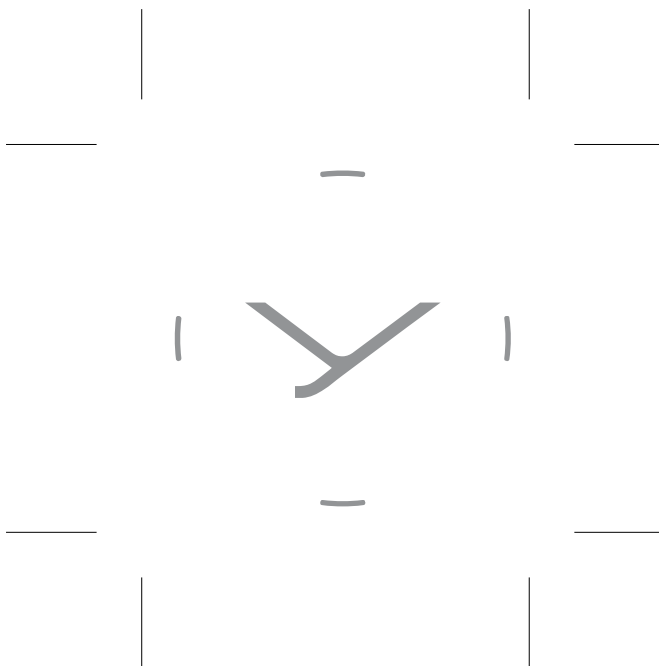
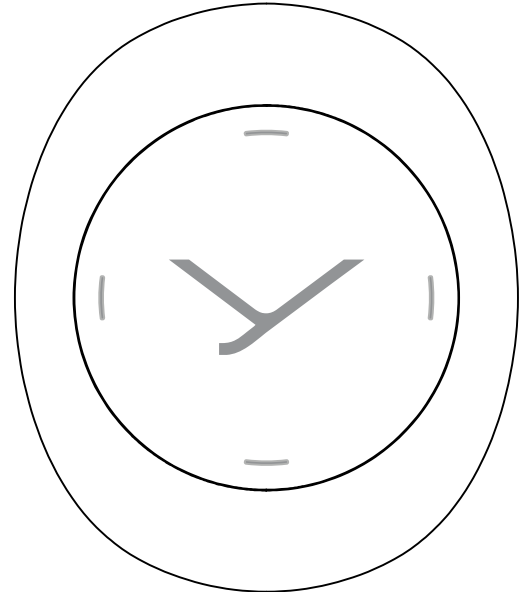
beyerdynamic

Graphics: on RIGHT side on the earcup  
 (RIGHT SIDE = TOUCH INTERFACE)  
 finish: line in color (after engraving 0,2mm)

**Model 1** - color: Medium Grey / S10 like Hinge from Tonly, **Model 2** - color: Pantone 423 U  
 Branding „Y“ printed: **Model 1** - color: Medium Grey / S10 like Hinge from Tonly (sample 4),  
**Model 2** - color: Pantone 423 U

DATE: 28th August 2018

VERSION 5.0 , J.Eckstein/M.Jörgensen, Product Design

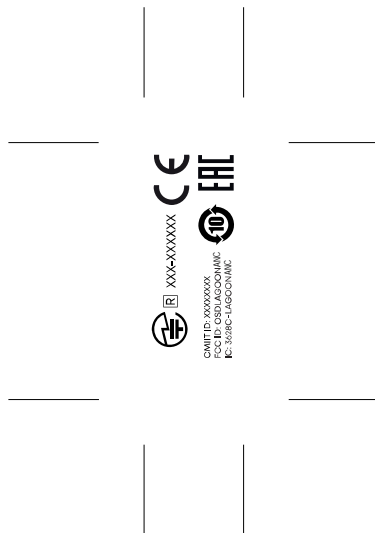


				Freimaßtoleranz	Paßmaße in mm	Für diese Zeichnung behalten wir uns alle Rechte vor.	
						Projekt Nougat	
						Adobe Illustrator	
				2018	Tag	Name	Reprovorlage
				Bearb	25.06.18	Eckstein/ Jörgensen	
				Gepr.			
1	-	-	-	<b>beyerdynamic</b>		202 060	Maßstab
Ausg.	Änderung	Tag	Name			Ersatz für	Ersetzt durch
							1:1



# Project NOUGAT

Product safety information: on inner slide arm LEFT  
 finish: lasered  
 DATE: 28th August 2018  
 VERSION 5.0 , M.Jörgensen, Product Design



				Freimaßtoleranz	Paßmaße in mm	Für diese Zeichnung behalten wir uns alle Rechte vor.	
						Projekt Nougat	
						Adobe Illustrator	
				2018	Tag	Name	Reprovorlage
				Bearb. Gepr.	25.06.18	Jörgensen	
				<b>beyerdynamic</b>		202 070	Maßstab
1	-	-	-				1:1
Ausg.	Änderung	Tag	Name			Ersatz für	Ersetzt durch



# Project NOUGAT - CMF MODEL 01 BLACK-BLUE

DATE: 31st August 2018  
 VERSION 8.0 , M.Jörgensen, Product Design



**inner cable**  
**Color:** Black RAL 9005 jet black; **Material:** TPU; **Finish:** EDM texture

**Headband upper part**  
**Color:** NCS S8505-R80B / S01) sample at Tonly  
**Material:** PA12-TR90  
**Finish:** MANKIEWICZ PAINT REFERENCE / S02) sample at Tonly; EDM texture (VDI 21), Metallic paint, Matt

**Headband: Cushion**  
**Color:** Black as earcushion samples  
**Material:** Protein leatherette (Tonly)

**„Lagoon ANC“**  
**Color:** Medium Grey / S10) like Hinge from Tonly  
**Finish:** printing

**Trim part: upper headband**  
**Color:** matt chrome like material sample (labeled S09)  
**Material:** PC+ABS  
**Finish:** like material sample (labeled S09) EDM texture (VDI 21)

**Headband slide part: slider**  
**Color:** NCS S8505-R80B / S01) sample at Tonly  
**Material:** PC+ABS  
**Finish:** MANKIEWICZ PAINT REFERENCE/ S02) sample at Tonly; EDM texture VDI 21

**\*inner slide arm**  
 see below

**Headband slide part: outside**  
**Color:** NCS S8505-R80B / S01) sample at Tonly  
**Material:** PC+ABS  
**Finish:** MANKIEWICZ PAINT REFERENCE / S02) sample at Tonly; EDM texture (VDI 21), Metallic paint, Matt

**Headband metall part: slider**  
**Material:** Stainless steel  
**Finish:** linear vertical brush, matt

**„L“ & „R“ + text**  
**Color:** approximation: Medium Grey / S10, like Hinge from Tonly (like sample 02 from Tonly)  
**Finish:** lasered

**Hinge**  
**Color:** Medium grey, TONLY sample  
**Material:** Stainless steel  
**Finish:** PVD, Matt

**Screws**  
**Color:** Black  
**Material:** metall

**Fork**  
**Color:** NCS S8505-R80B / S01) sample at Tonly  
**Material:** PC+ABS  
**Finish:** MANKIEWICZ PAINT REFERENCE / S02) sample at Tonly; EDM texture (VDI 21), Metallic paint, Matt

**Textile cover on acoustic baffle**  
**Color & Material:** CY-B56-12 (Tonly Catalogue)

**Ear cushion**  
**Color:** Black as earcushion samples  
**Material:** Protein Leatherette (Tonly)

**Earcup**  
**Color:** NCS S8505-R80B / S01) sample at Tonly  
**Material:** ABS  
**Finish:** MANKIEWICZ PAINT REFERENCE/ S02) sample at Tonly; EDM texture (VDI 21) Metallic paint, Matt

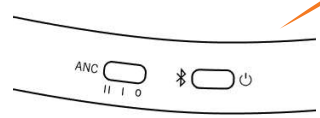
**Trim part: ring on earcup**  
**Color:** matt chrome like material sample (labeled S09)  
**Material:** ABS  
**Finish:** like material sample (labeled S09); EDM texture (VDI 21)

**Branding „Y“**  
**Color:** Medium Grey / S10) like Hinge from Tonly  
**Finish:** printing

**Toggle switch**  
**Color:** Black RAL 9005 jet black  
**Material:** ABS  
**Finish:** EDM texture (VDI 21)

**Engraving on Earcup**  
**Color:** Medium Grey / S10) like Hinge from Tonly  
**Finish:** line in colour  
**Depth:** engrave 0,3mm

**Printing on ring**  
**Color:** PANTONE 425 U  
**Finish:** matt

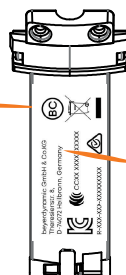


**Audio and USB cable**  
**Color:** RAL 9005 deep black  
**Material:** TPE  
**Finish:** matt, like reference cable from apple

**Ear cushion plastic supporter**  
**Color:** black  
**Material:** PC+ABS

**bass hole mesh**  
**Color:** black

**\*inner slide arm**  
**Color:** Black RAL 9005 jet black  
**Material:** PC+ABS  
**Finish:** EDM texture (VDI 21)



**safety information (both sides)**  
 lasered

**Branding „beyerdynamic“ on left side**  
**Color:** Medium Grey / S10) like Hinge from Tonly  
**Finish:** printing



# Project NOUGAT - CMF MODEL 02 TOBACCO

DATE: 31st August 2018  
 VERSION 8.0 , M.Jörgensen, Product Design

## Headband upper part

**Color:** NCS S 7502 -B / B11) sample at Tonly  
**Material:** PA12-TR90  
**Finish:** MANKIEWICZ PAINT REFERENCE / B10) sample at Tonly; EDM texture (VDI 21), Metallic paint, matt

## Trim part: upper headband

**Color:** Black alu like material sample (labeled B14), RAL 9005 jet black  
**Material:** PC+ABS  
**Finish:** EDM texture (VDI 21), paint, Matt, like material sample (labeled B14)

## Headband slide part: outside

**Color:** NCS S 7502 -B / B11) sample at Tonly  
**Material:** PC+ABS  
**Finish:** MANKIEWICZ PAINT REFERENCE / B10) sample at Tonly; EDM texture (VDI 21), Metallic paint, matt

## Hinge

**Color:** Medium grey, TONLY sample  
**Material:** Stainless steel  
**Finish:** PVD, Matt

## Textile cover on accoustic baffle

**Color & Material:** CY-B45-4 (Tonly Catalogue)

## Ear cushion

**Color:** Leather Reference Tobacco #89133 B02) sample at Tonly  
**Material:** Protein Leatherette (Tonly)

## Trim part: ring on earcup

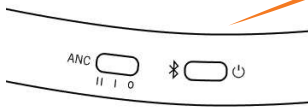
**Color:** Black alu like material sample (labeled B14), RAL 9005 jet black  
**Material:** ABS  
**Finish:** EDM texture (VDI 21), paint, matt

## Toggle switch

**Color:** Black RAL 9005 jet black  
**Material:** ABS  
**Finish:** EDM texture (VDI 21)

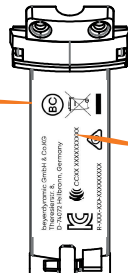
## Printing on ring

**Color:** PANTONE 423 U  
**Finish:** matt



## Audio and USB cable

**Color:** RAL 9005 deep black  
**Material:** TPE  
**Finish:** matt, like reference cable from apple



## \*inner slide arm

**Color:** Black RAL 9005 jet black  
**Material:** PC+ABS  
**Finish:** EDM texture (VDI 21)

**safety information (both sides)**  
 lasered

## inner cable

**Color:** Black RAL 9005 jet black; **Material:** TPU; **Finish:** EDM texture

## Headband: Cushion

**Color:** Leather Reference Tobacco #89133 (B02) sample at Tonly  
**Material:** Protein Leatherette (Tonly)

## „Lagoon ANC“

**Color:** Pantone 423 U  
**Finish:** printing

## Headband slide part: slider

**Color:** NCS S 7502 -B / B11) sample at Tonly  
**Material:** PC+ABS  
**Finish:** MANKIEWICZ PAINT REFERENCE / B10) sample at Tonly; EDM texture (VDI 21)

## Headband metall part: slider

**Material:** Stainless steel  
**Finish:** linear vertical brush, matt

## Fork

**Color:** NCS S 7502 -B / B11) sample at Tonly  
**Material:** PC+ABS  
**Finish:** MANKIEWICZ PAINT REFERENCE / B10) sample at Tonly; EDM texture (VDI 21), Metallic paint, matt

## Earcup

**Color:** NCS S 7502 -B / B11) sample at Tonly  
**Material:** ABS  
**Finish:** MANKIEWICZ PAINT REFERENCE / B10) sample at Tonly; EDM texture (VDI 21), Metallic paint, matt

## Branding „Y“

**Color:** Pantone 423 U  
**Finish:** printing

## Engraving on Earcup

**Color:** PANTONE 423 U  
**Finish:** line in colour  
**Depth:** engrave 0,3mm

**\*inner slide arm**  
 see below

## „L“ & „R“ + text

**Color:** like sample 09 from Tonly  
**Finish:** lasered

## Screws

**Color:** Black  
**Material:** metall

## bass hole mash

**Color:** black

## Ear cushion plastic supporter

**Color:** black  
**Material:** PC + ABS

## Branding „beyerdynamic“ on left side

**Color:** PANTONE 423 U  
**Finish:** printing



**COMMENT: Parts in blue = same CMF as Modell 01**